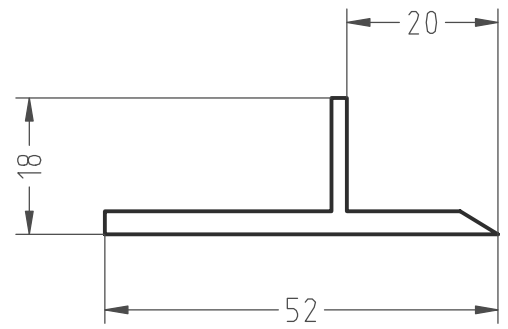
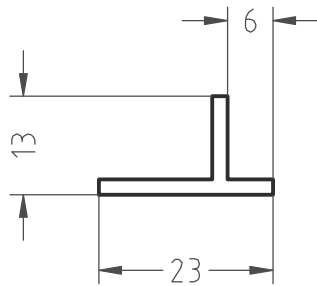


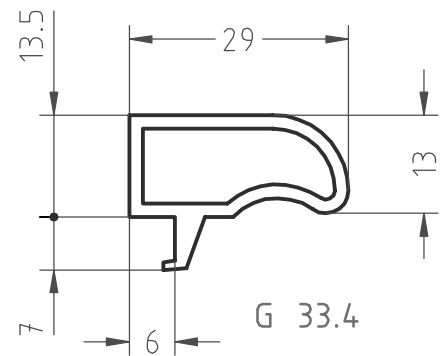
D 9.1



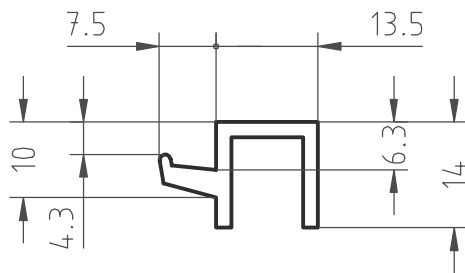
G 33.1



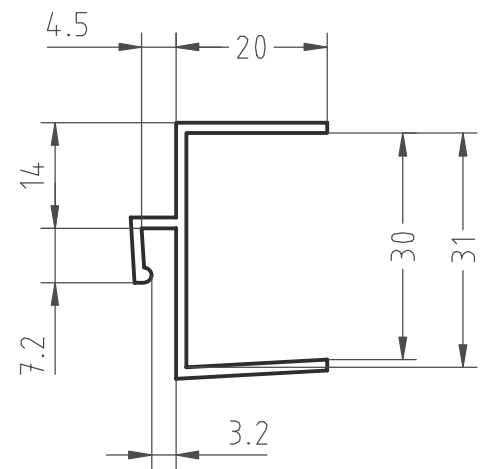
D 9.2



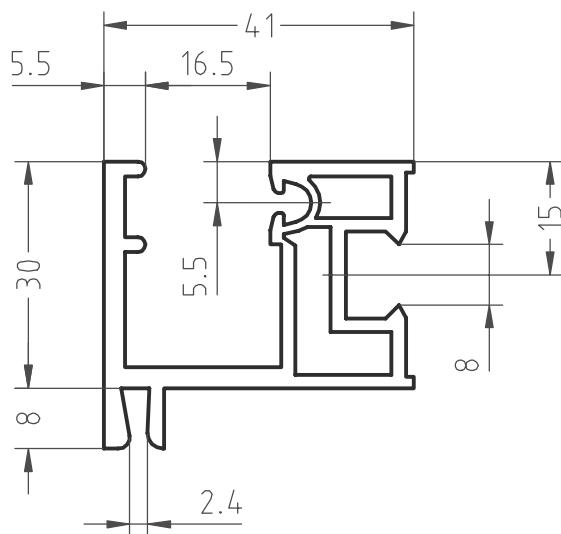
G 33.4



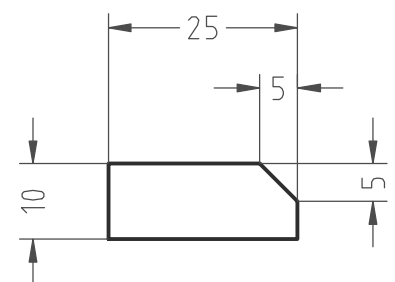
G 33.7



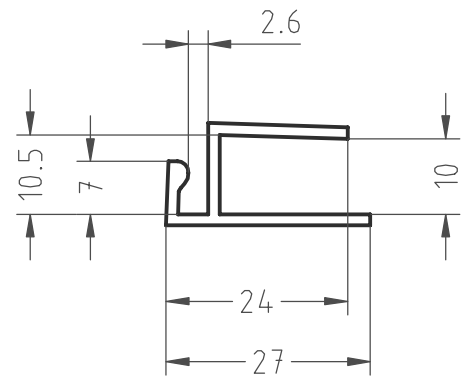
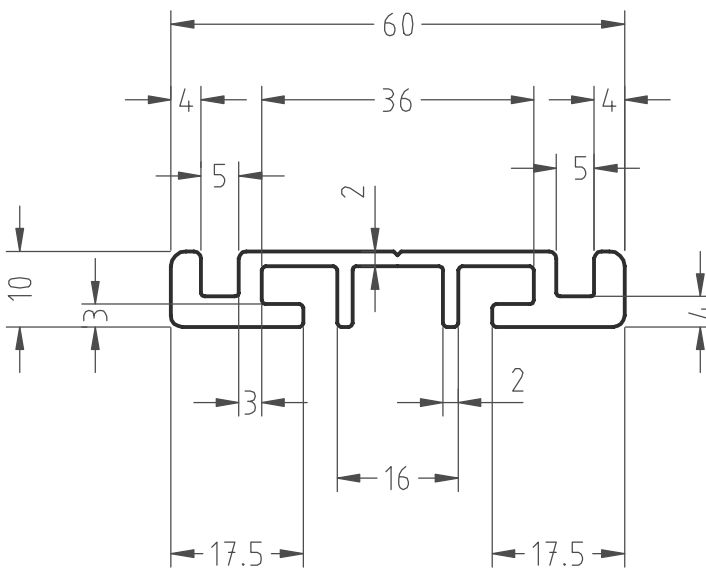
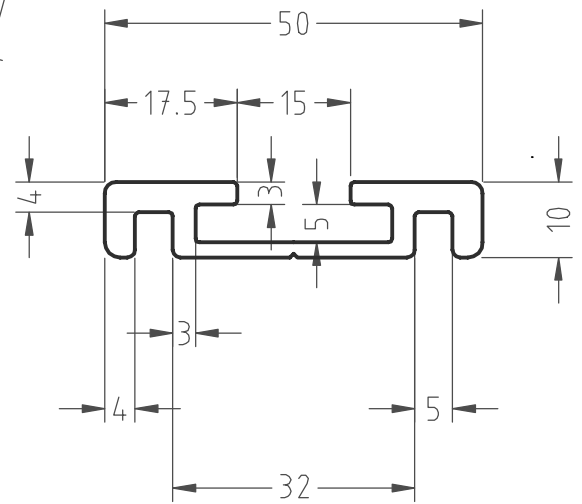
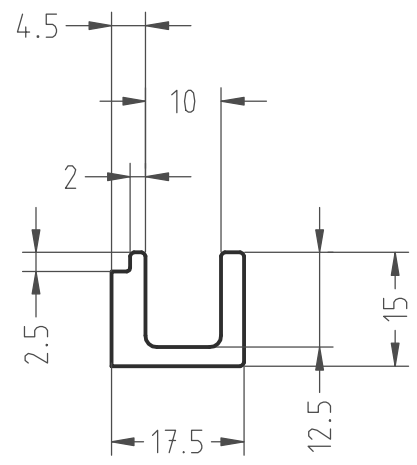
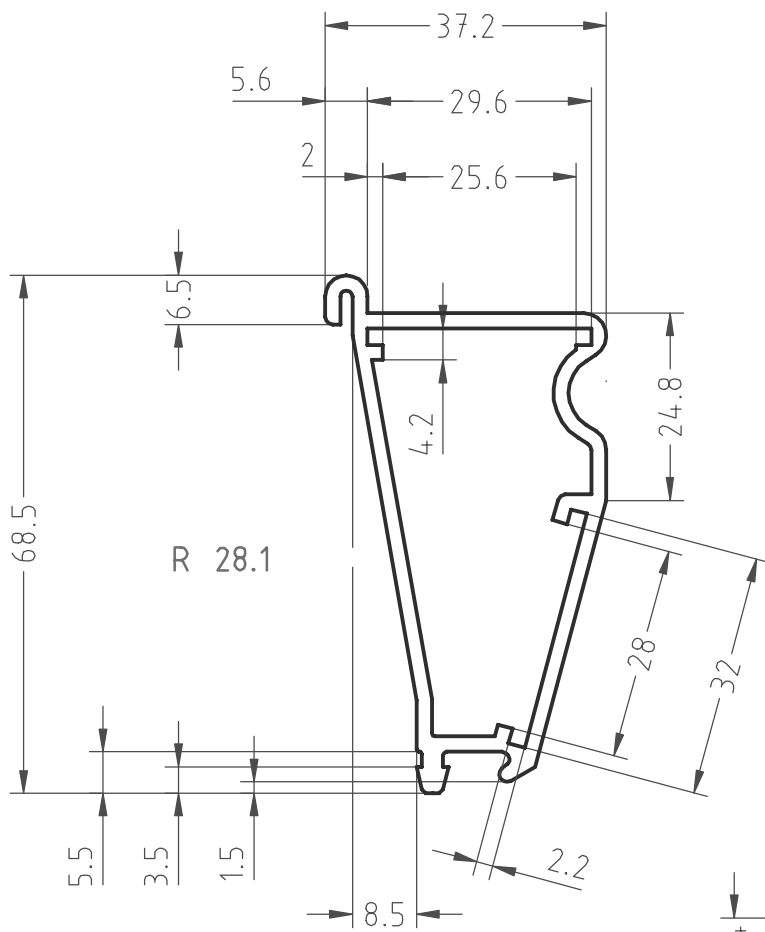
W 6.1

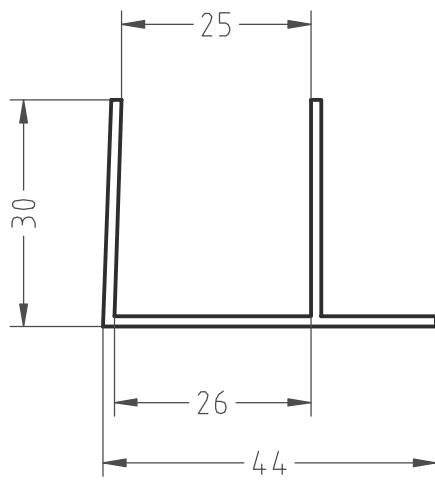


B 3.2

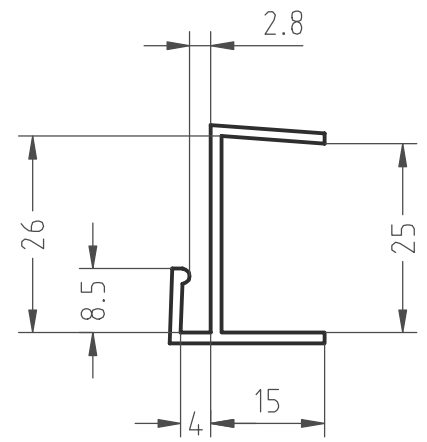


G 33.2

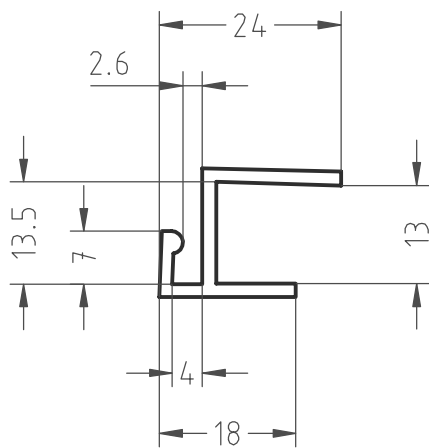




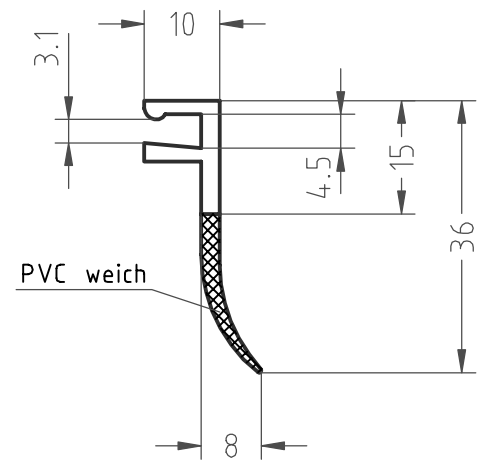
B 3.8



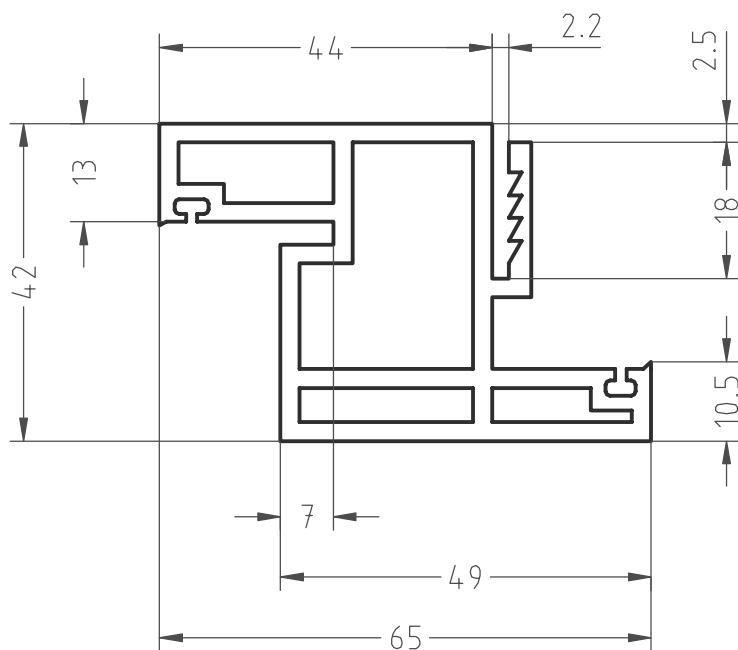
B 3.7



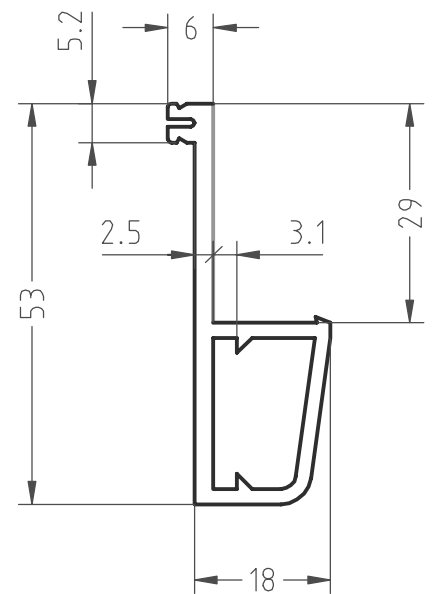
B 3.3



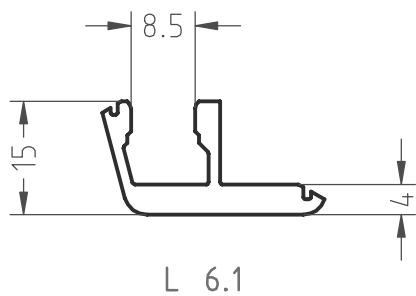
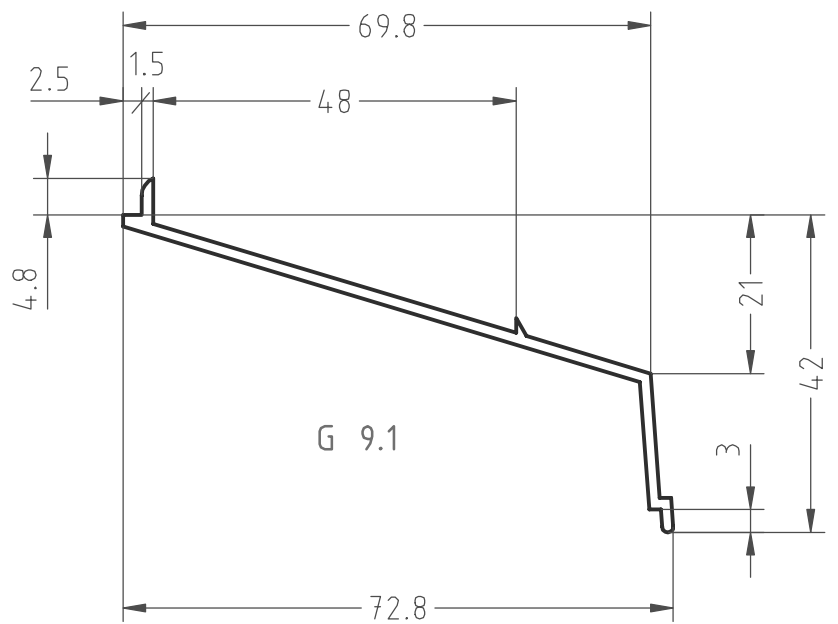
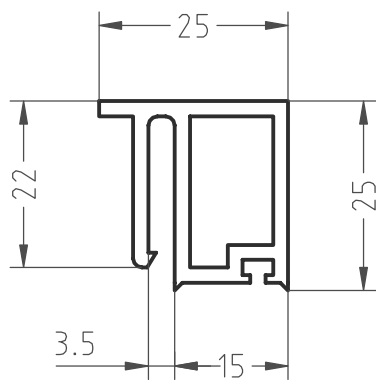
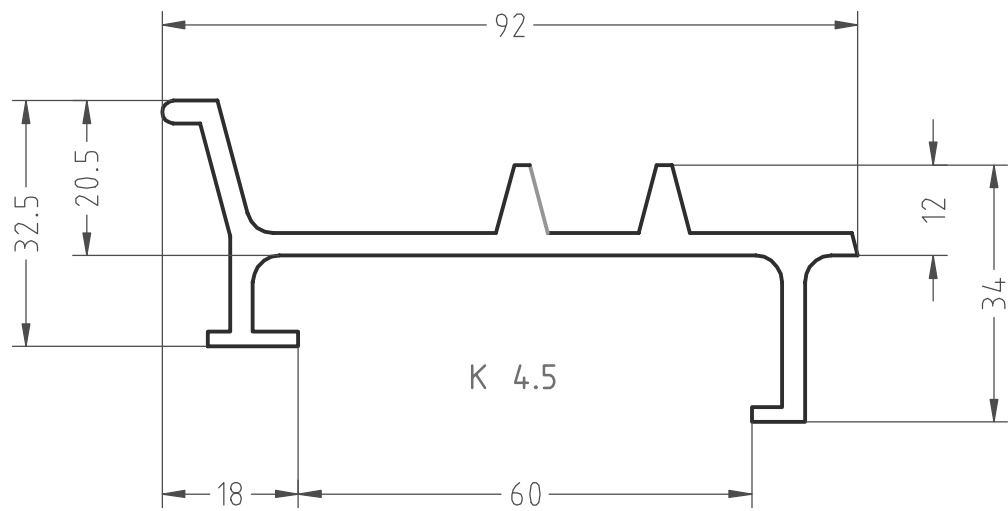
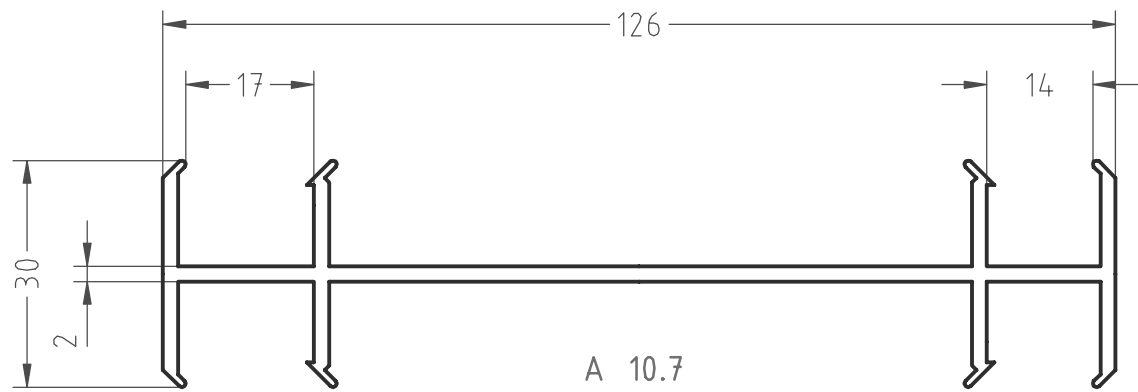
B 3.5

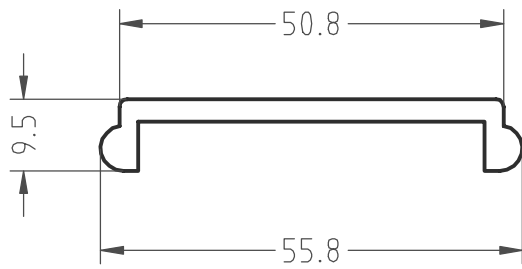


G 33.5

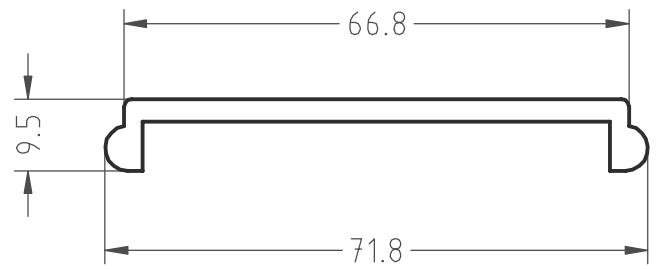


N 12.1

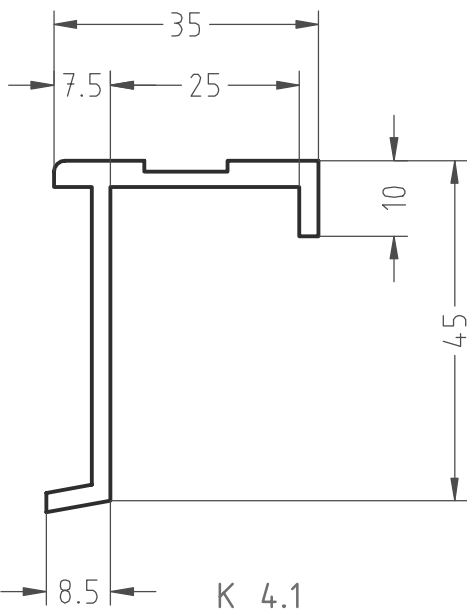




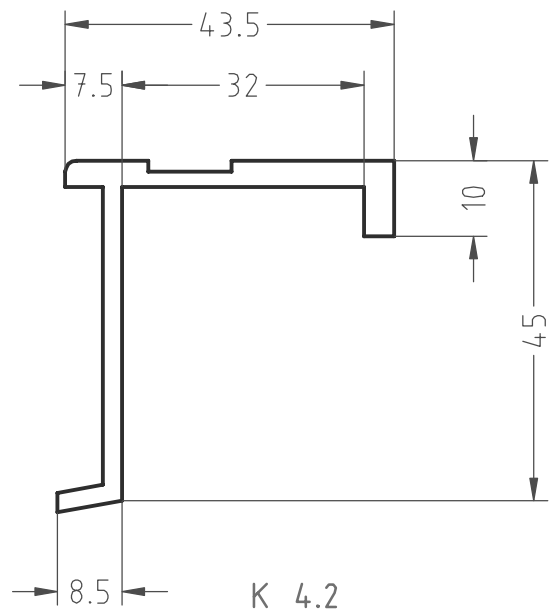
K 4.3



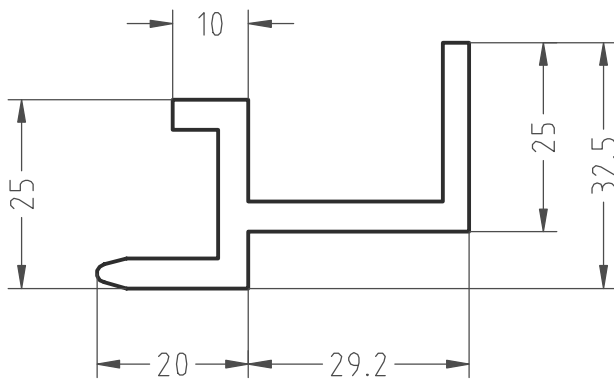
K 4.4



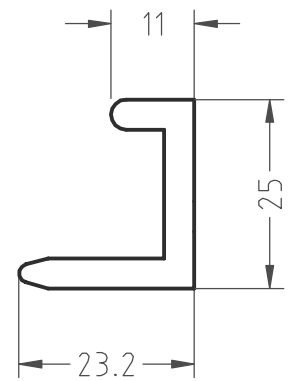
K 4.1



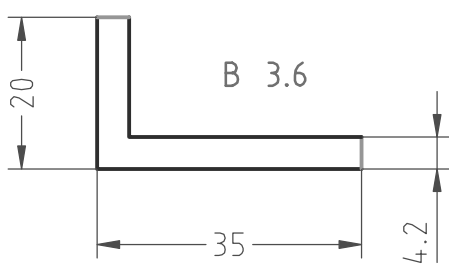
K 4.2



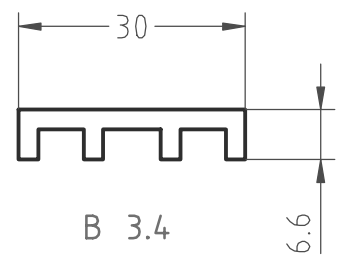
K 4.104



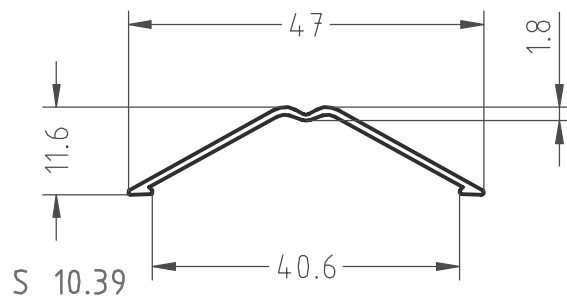
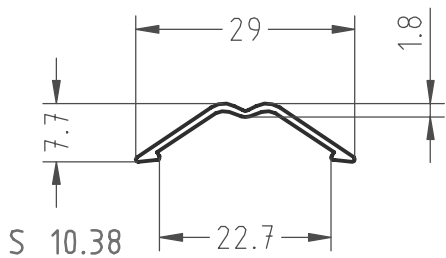
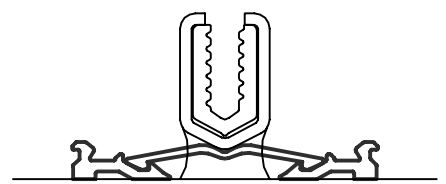
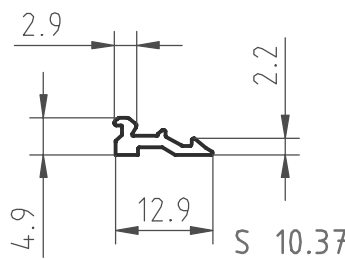
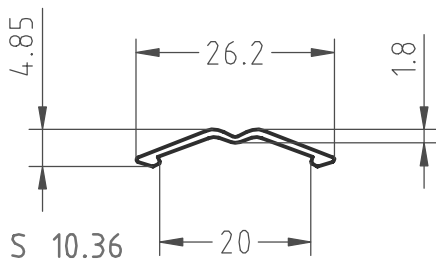
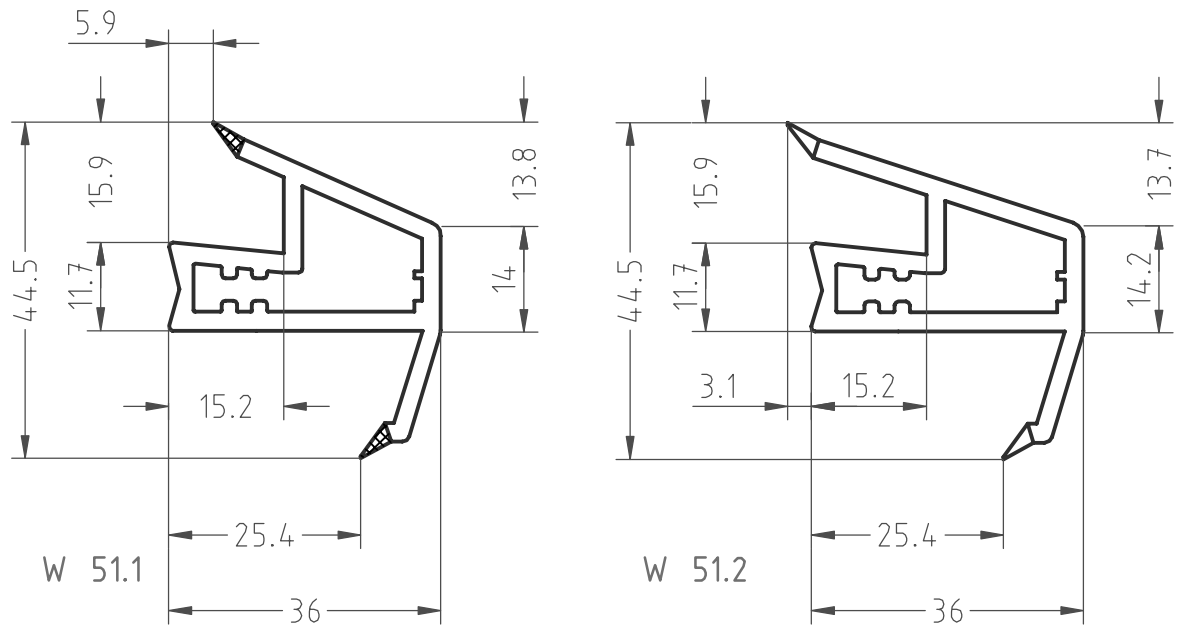
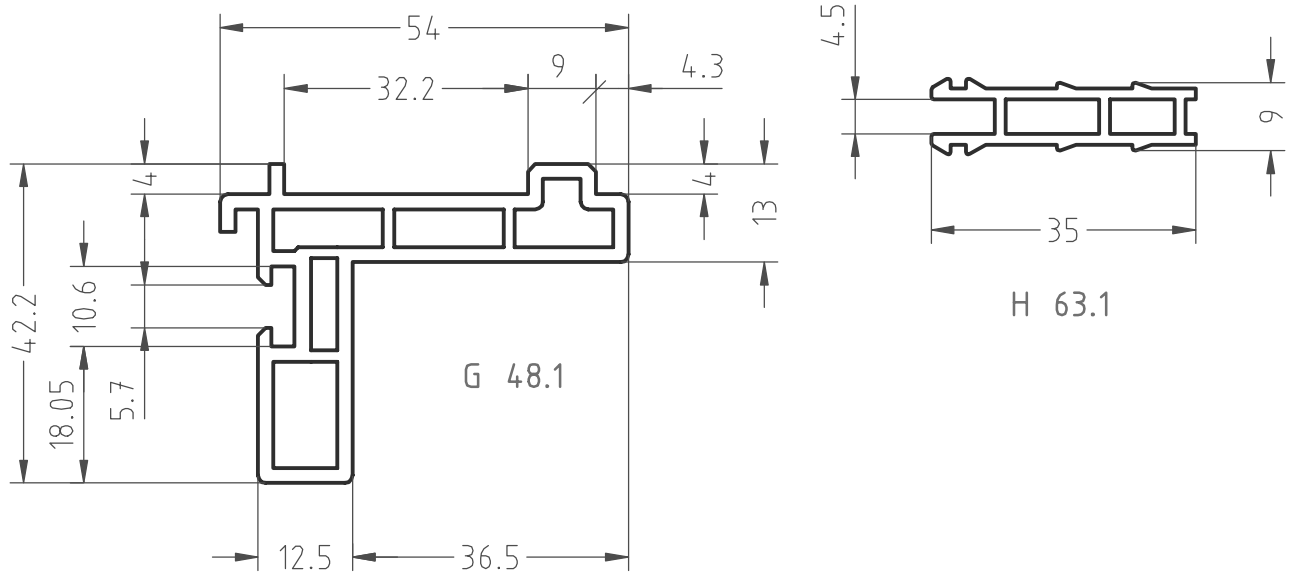
K 4.105

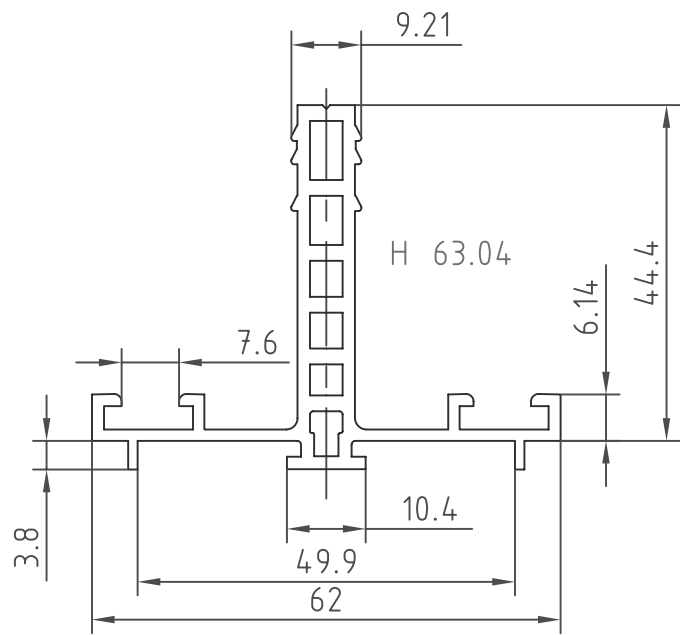
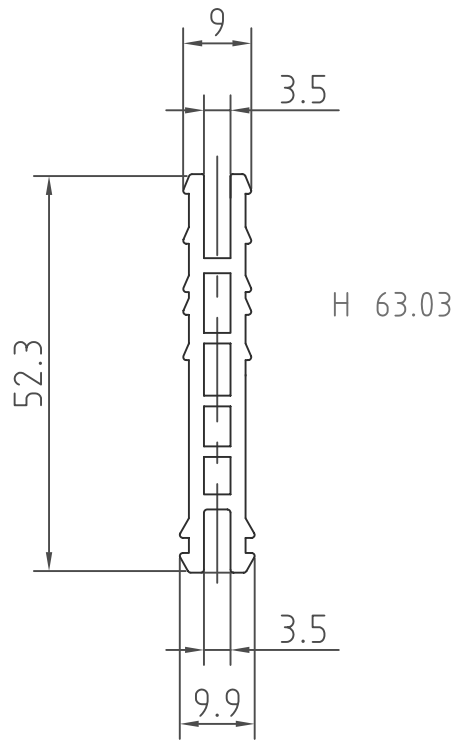


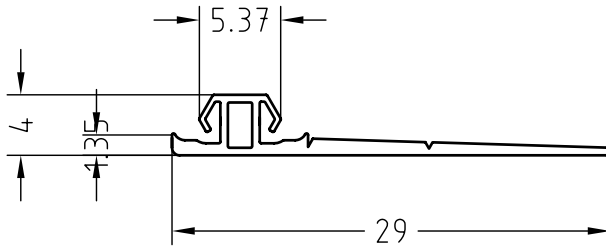
B 3.6



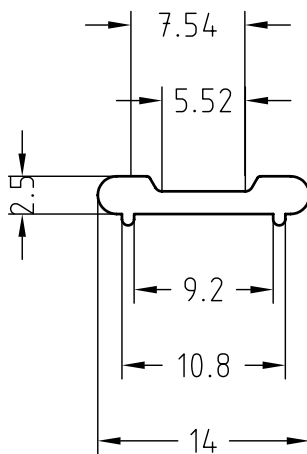
B 3.4



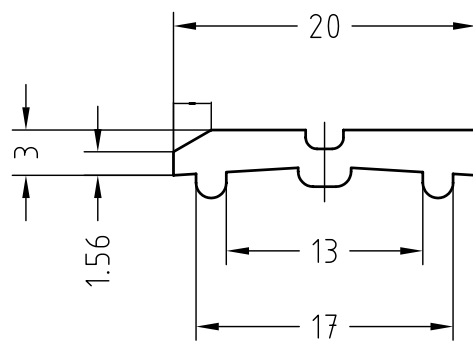




G 58.1

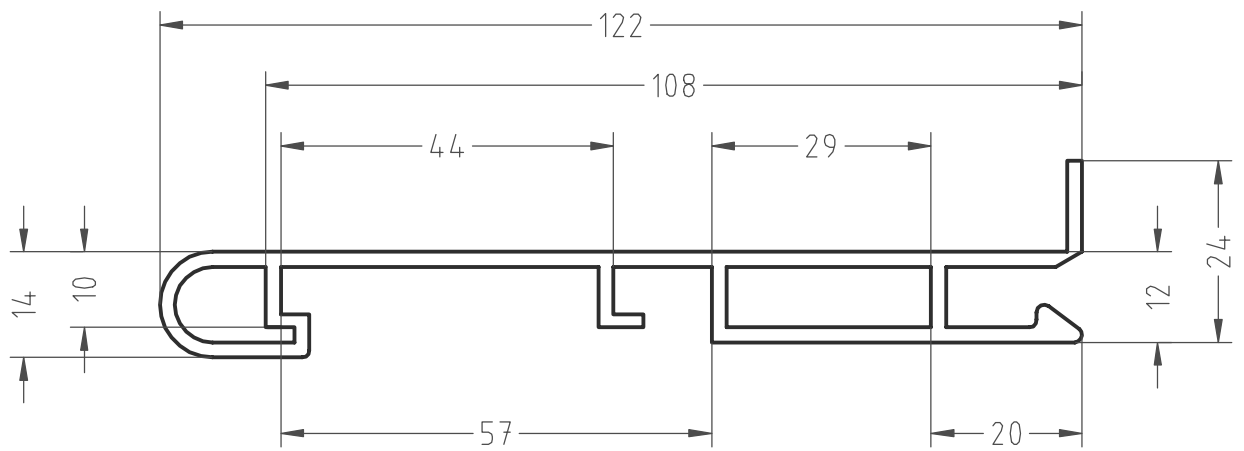


S 10.41

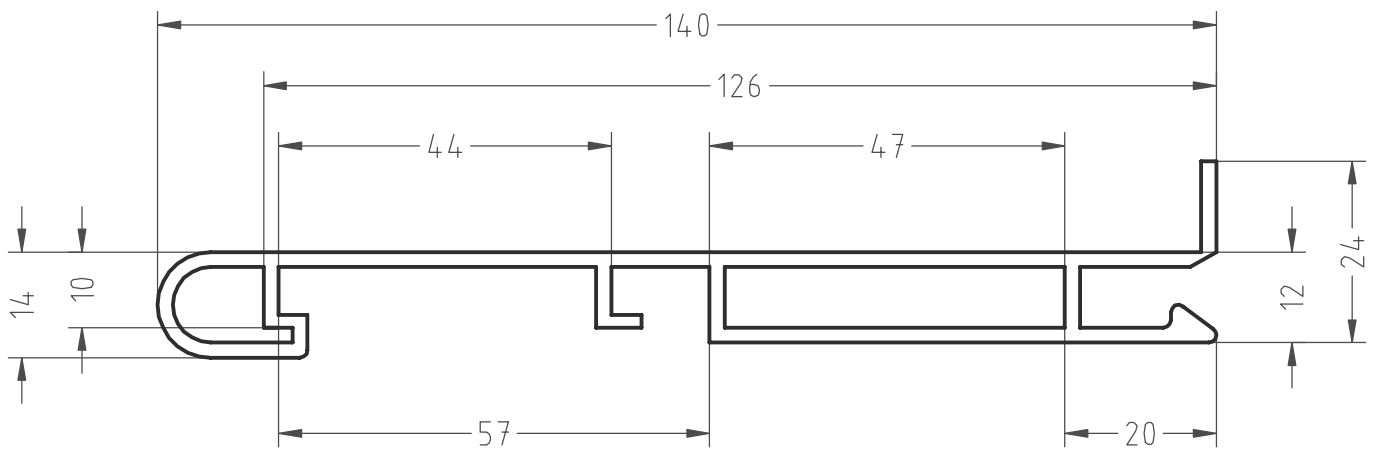


S 10.42

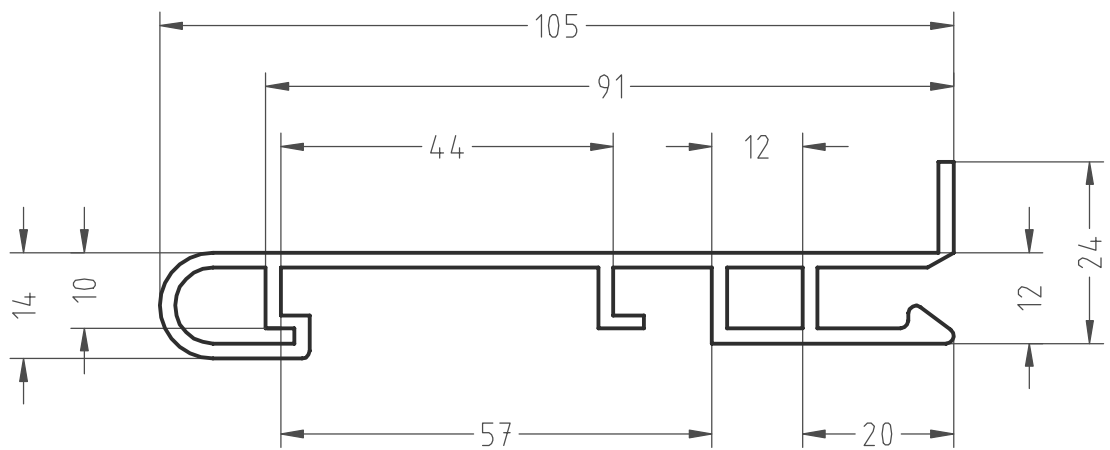




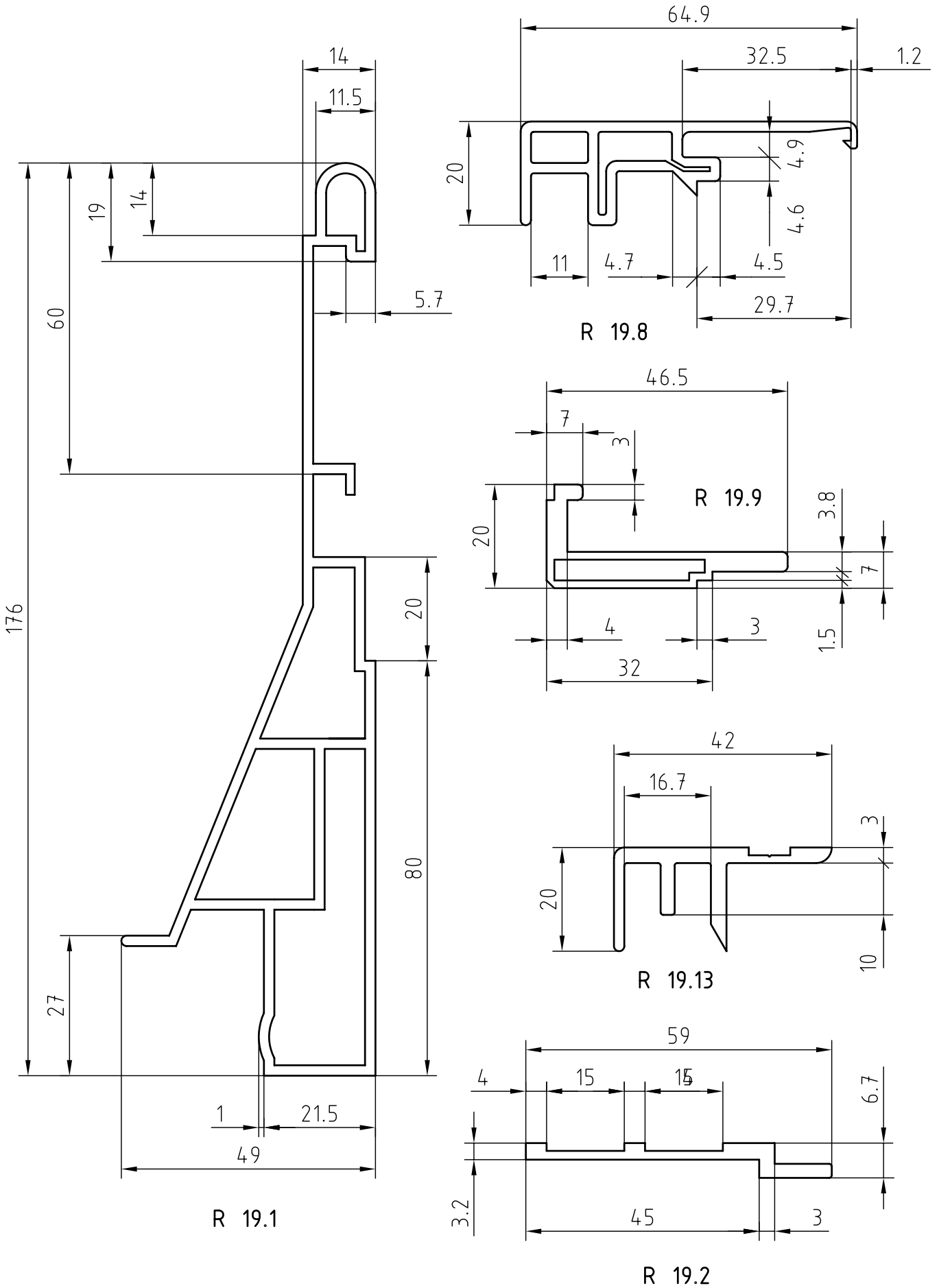
R 19.5

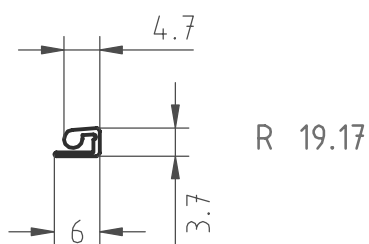
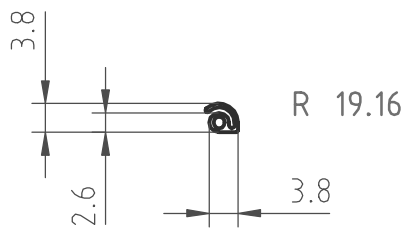
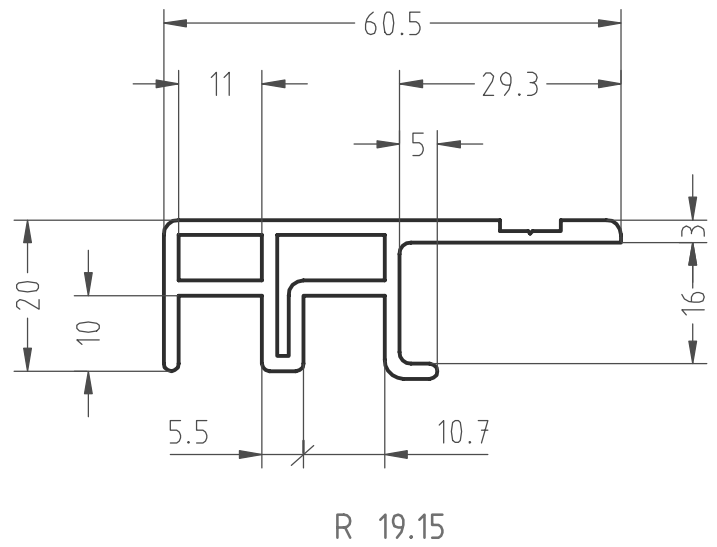
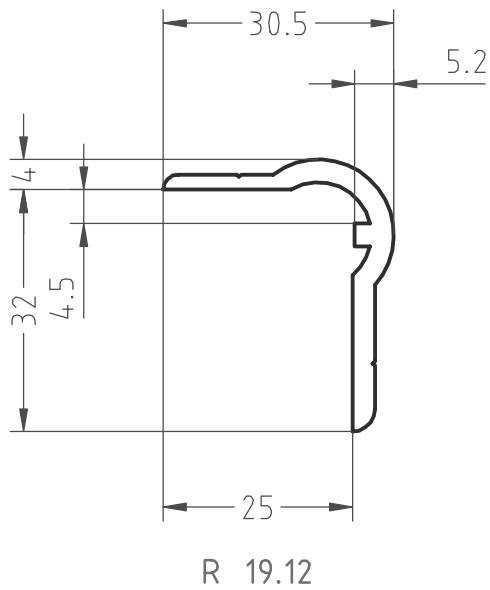
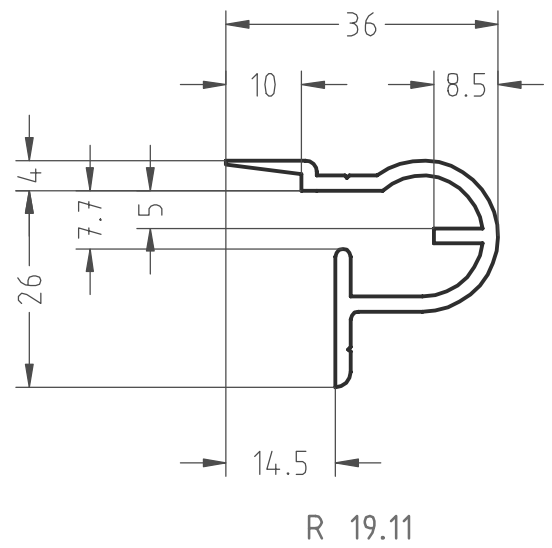
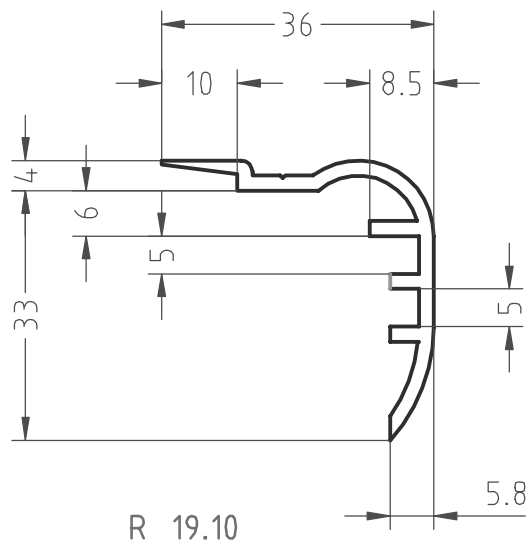


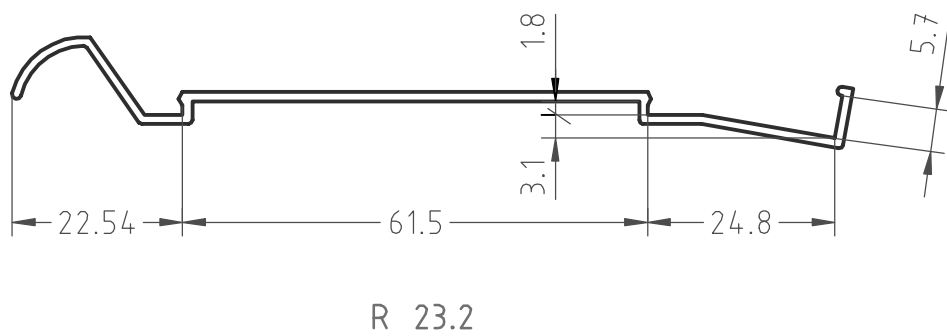
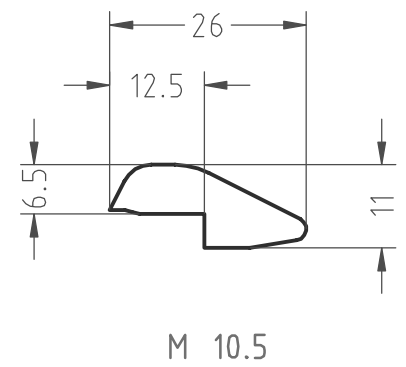
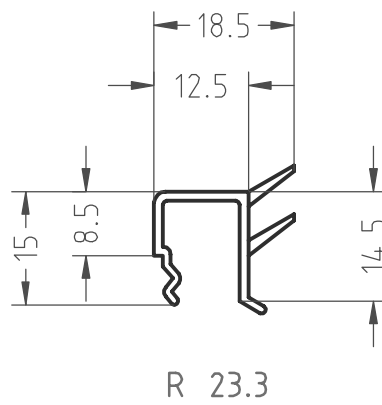
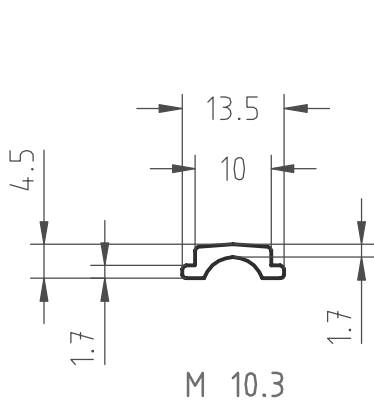
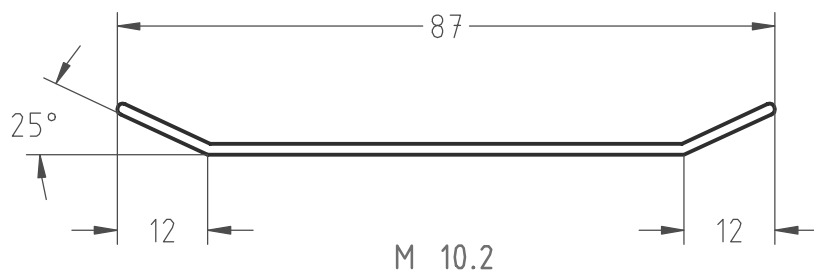
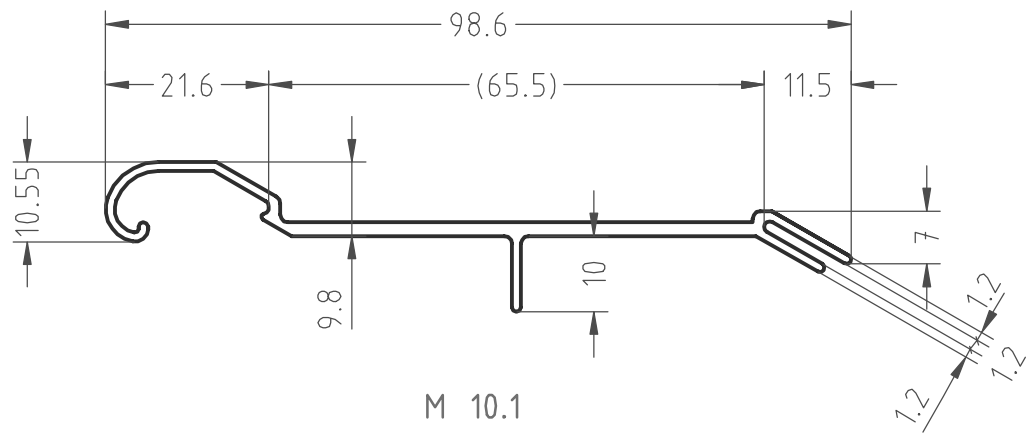
R 19.6

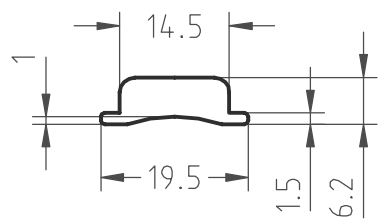


R 19.7

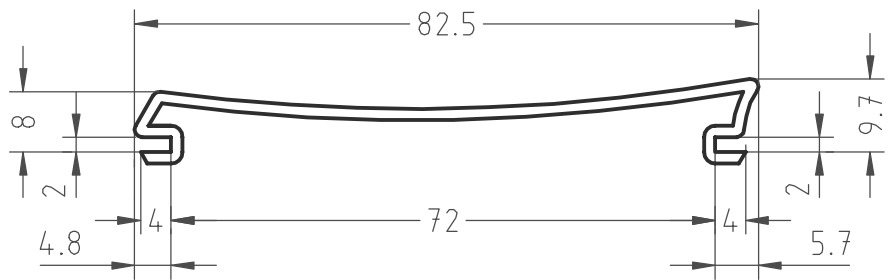




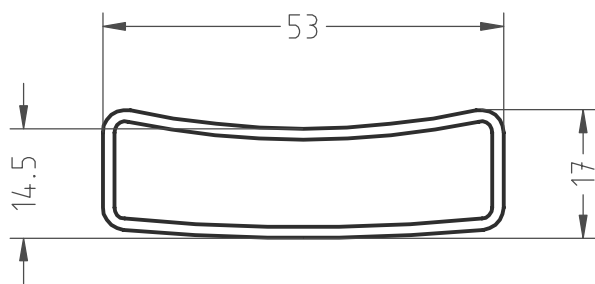




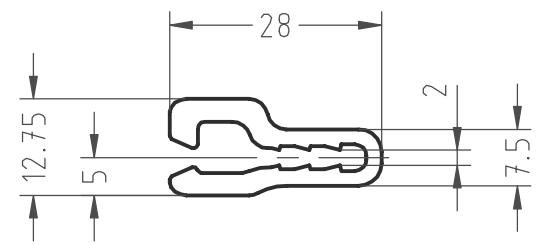
R 23.1



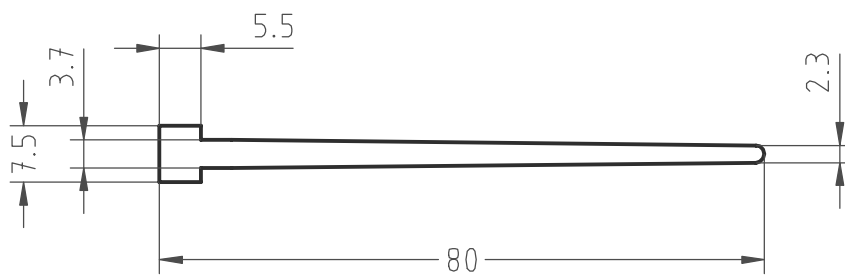
S 1.29



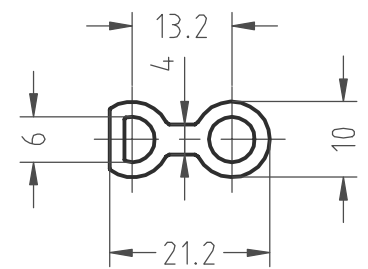
R 41.2



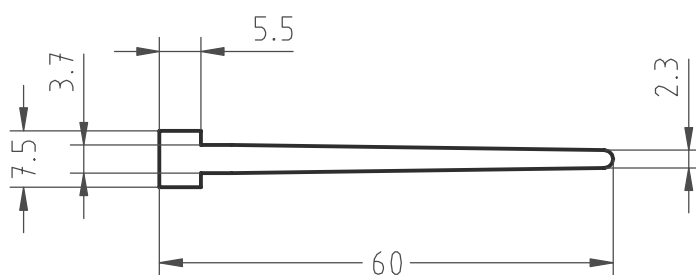
R 41.1



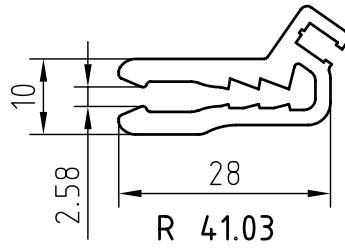
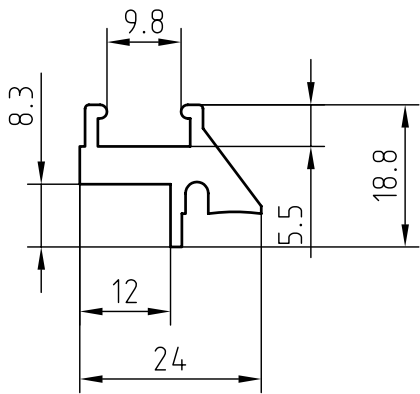
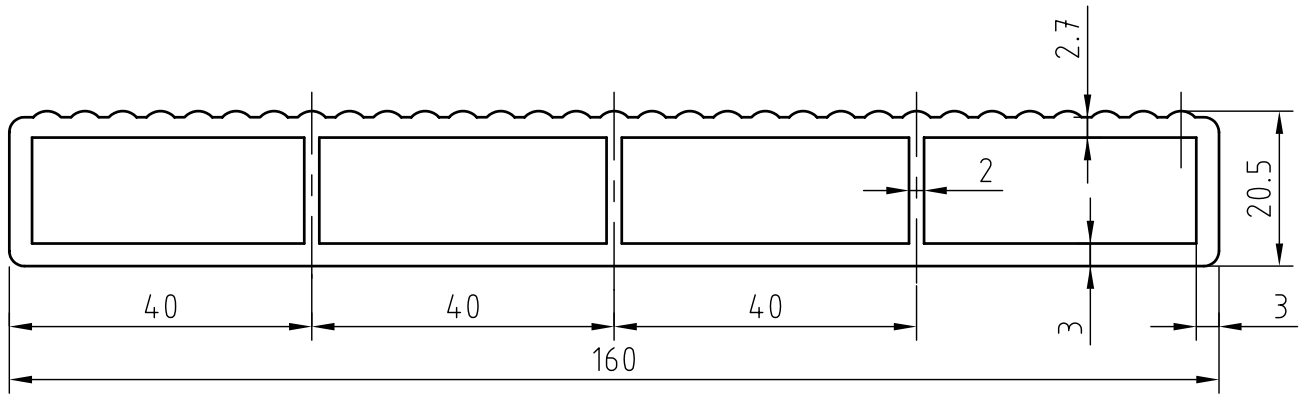
M 10.7



R 44.4



M 10.6



H 74.01