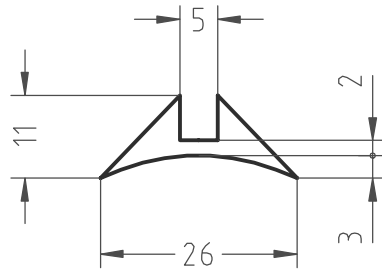
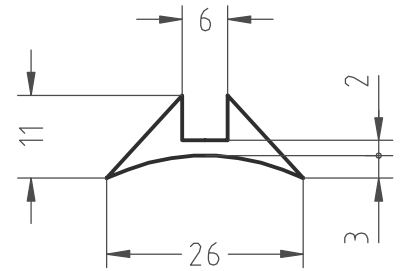


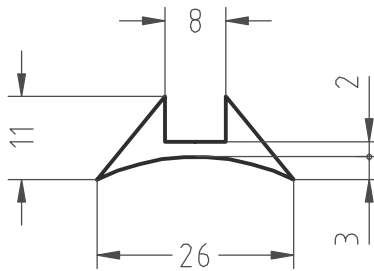
S15/F4



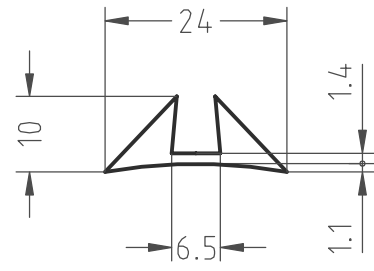
S15/F5



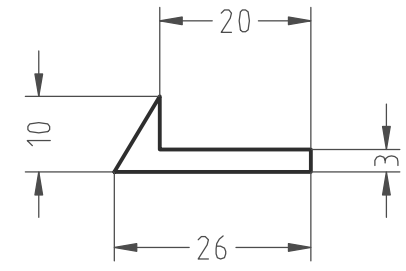
S15/F6



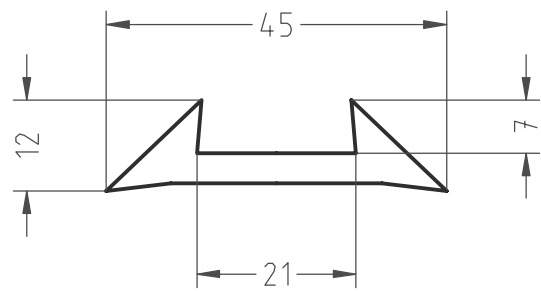
S15/F8



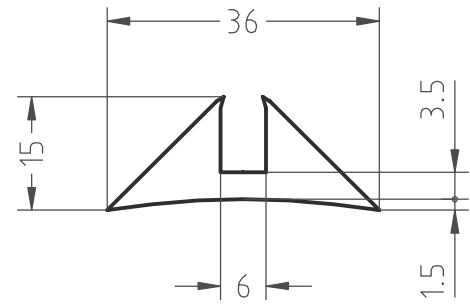
W 40.1



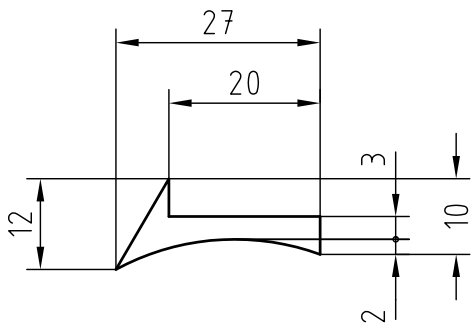
S15/G15



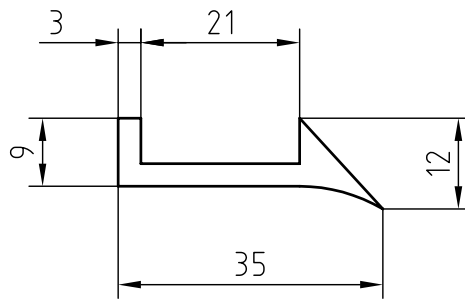
S15/F21



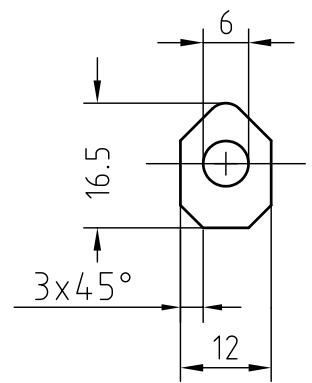
S15/F6-36



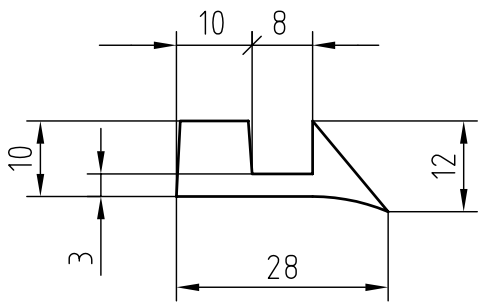
N 16.1



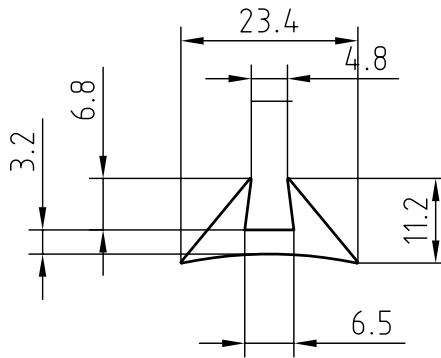
S15/G21



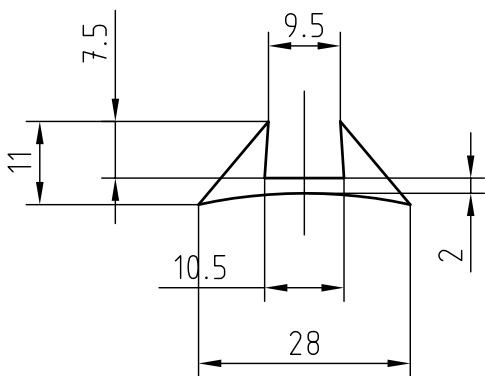
T 14.1



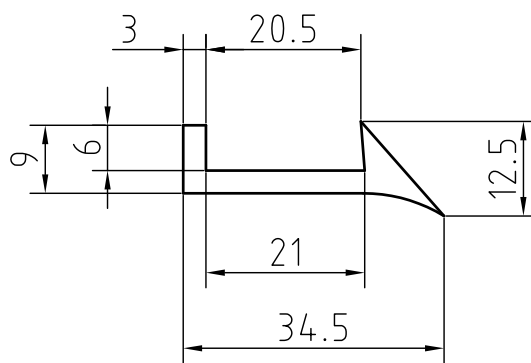
S15/G8



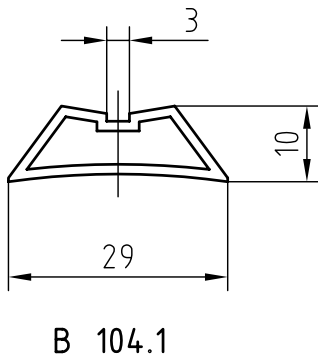
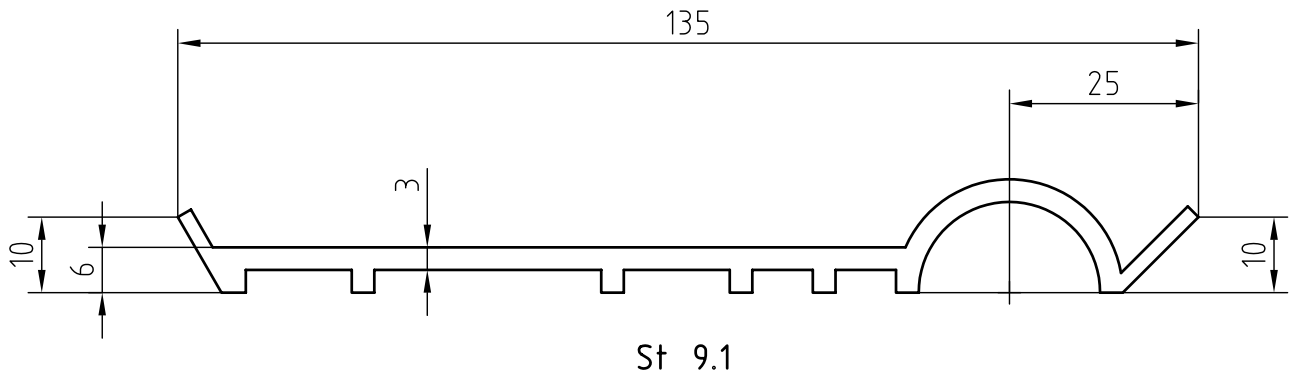
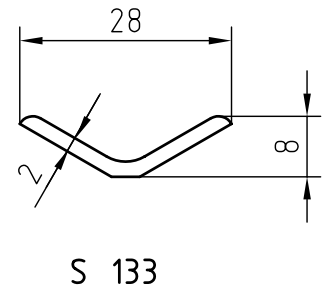
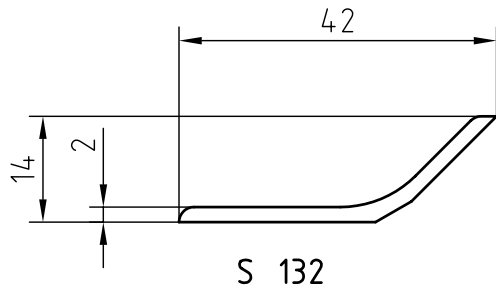
M 26.1

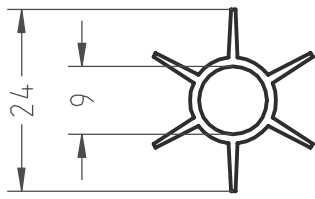


T 14.02

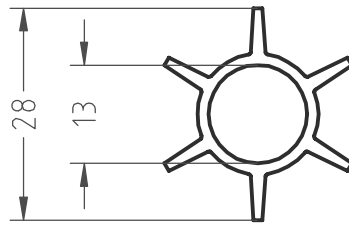


T 14.03

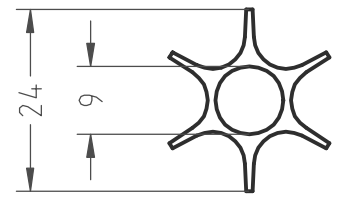




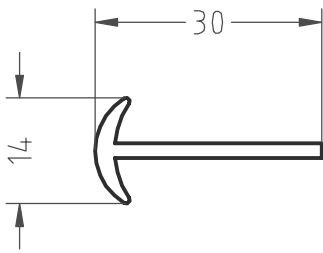
B 43.1



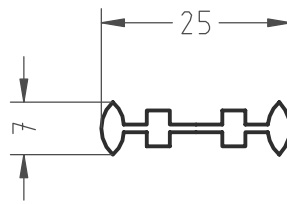
B 43.4



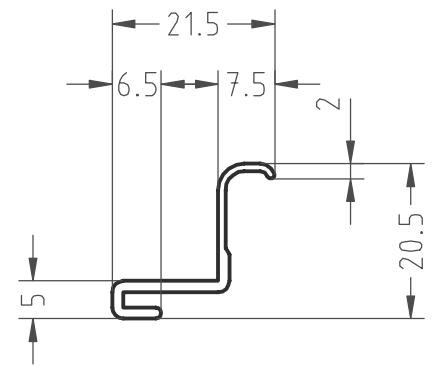
B 43



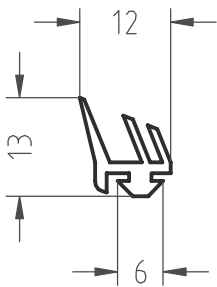
K 7.1



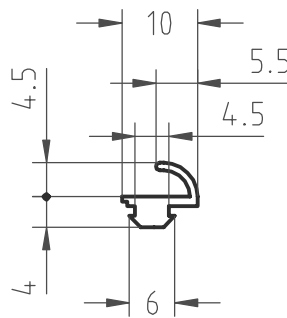
S 311



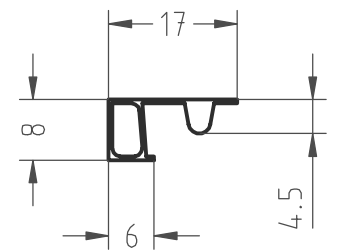
S 10.12



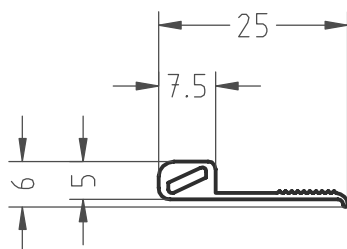
S 10.3



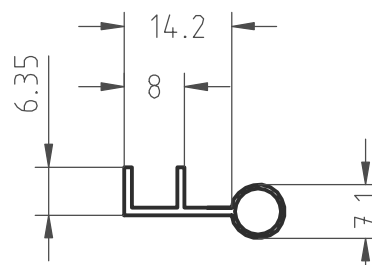
S 10.4



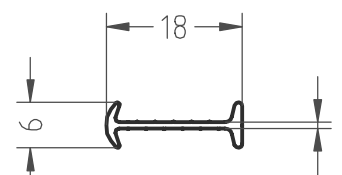
St 3.1



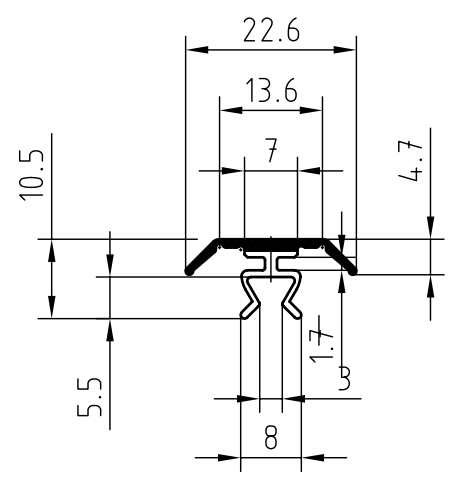
S 201



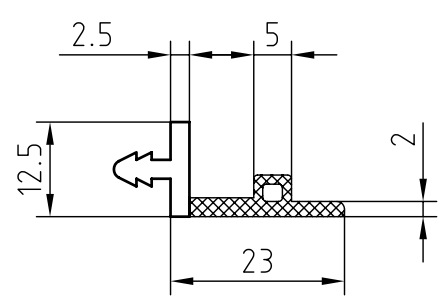
K 0.13



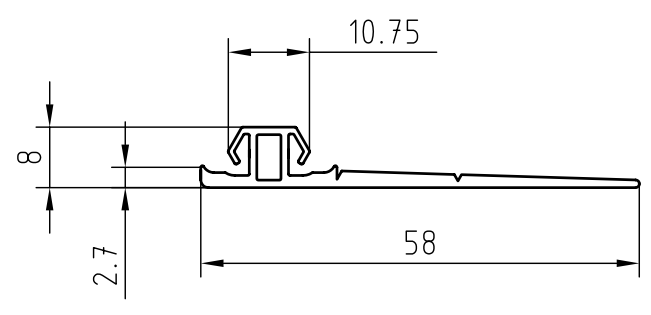
H 26.1



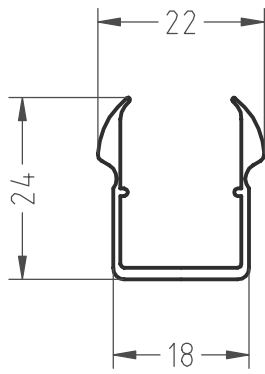
E 30.2



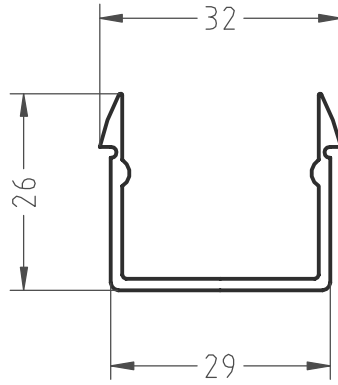
E 31.03



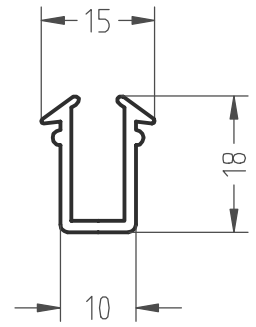
G 58.01



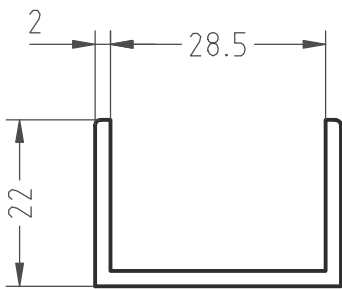
S 305



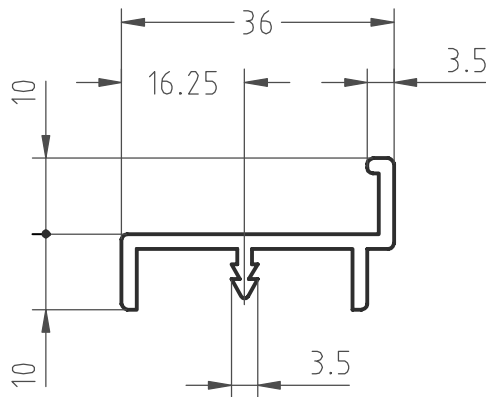
S 306



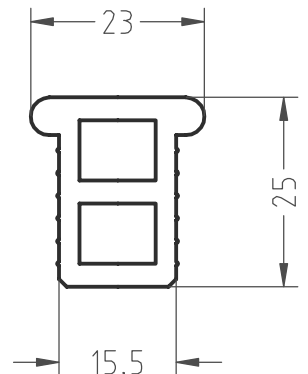
Sch 16.1



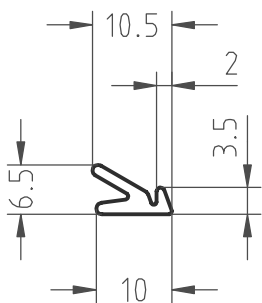
Sch 16.2



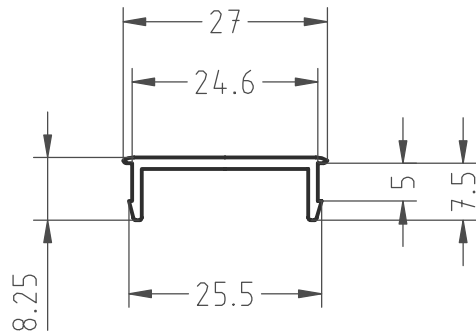
Sch 16.3



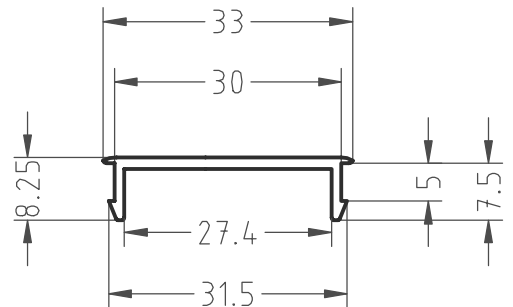
P 10.1



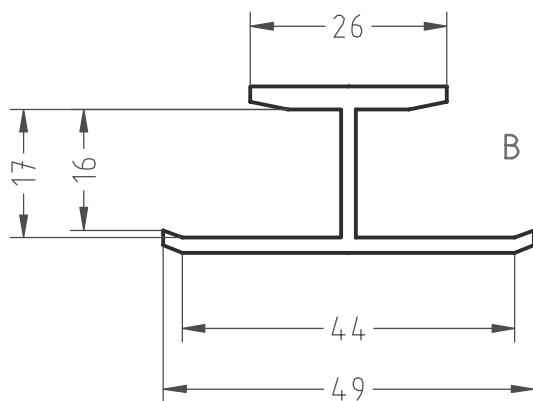
M 32.1



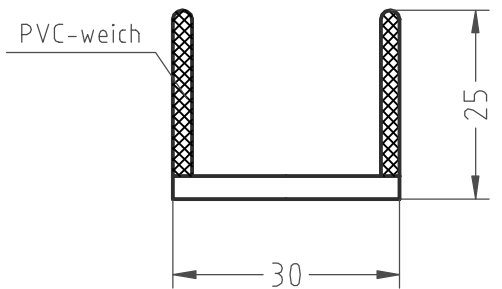
C 12.1



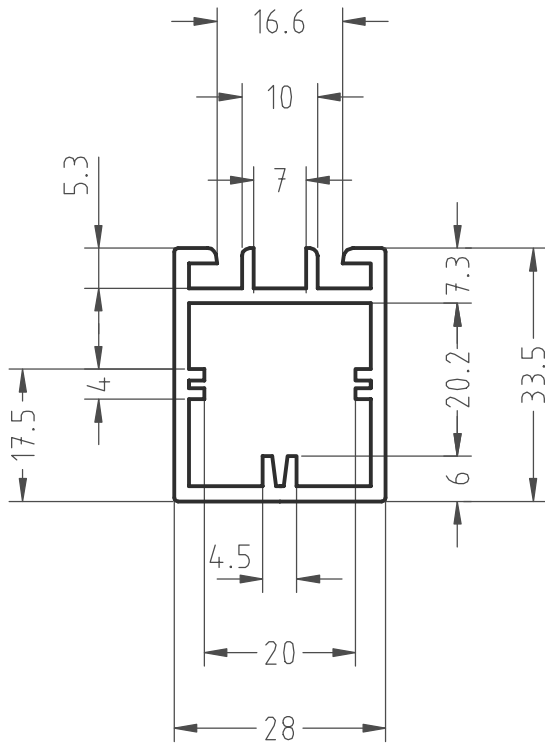
C 12.2



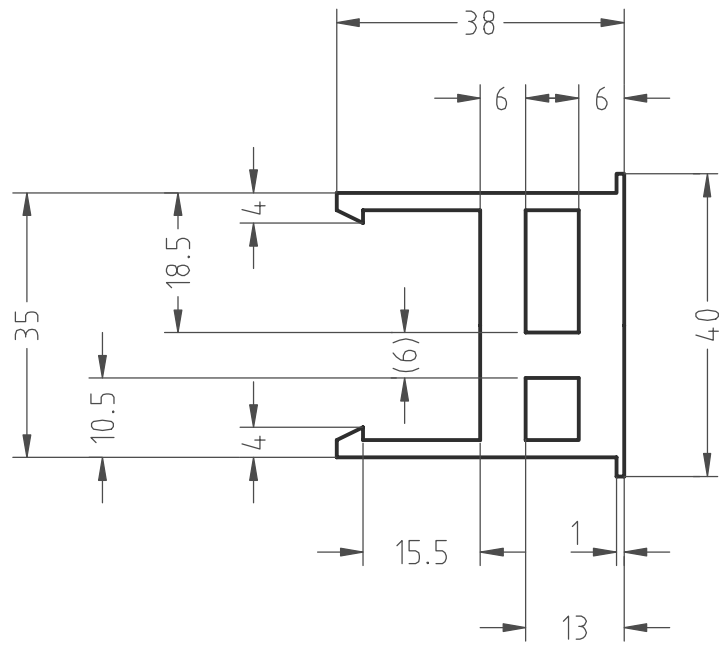
B 30.1



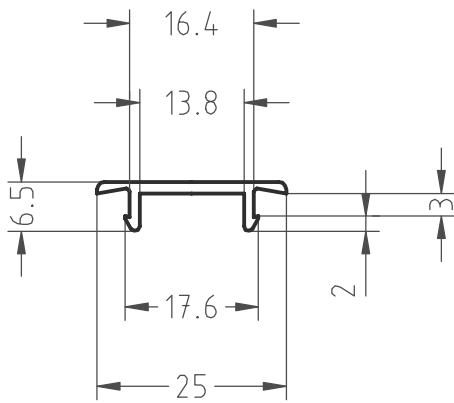
E 31.2



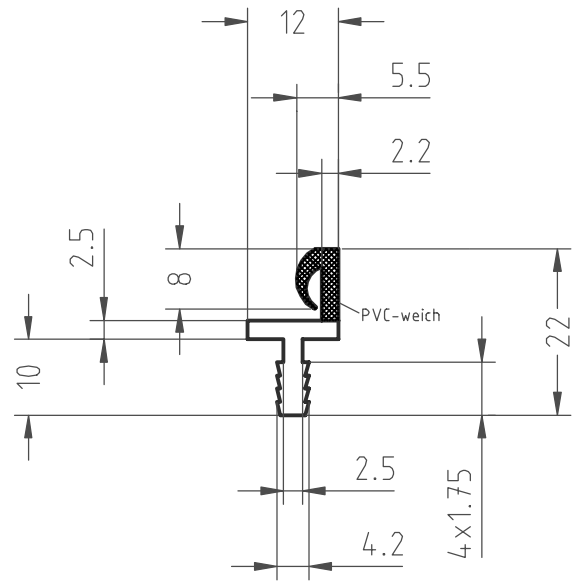
SCH 16.4



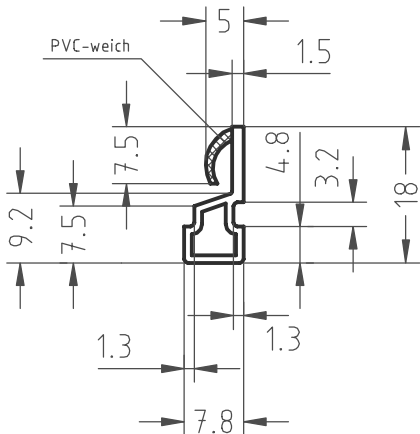
SCH 16.5



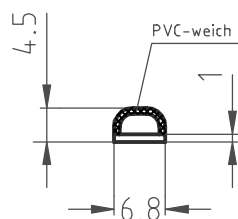
SCH 16.6



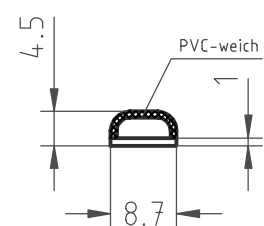
E 31.1



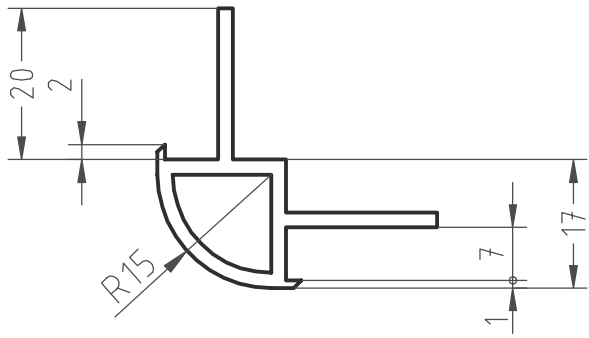
R 16.9



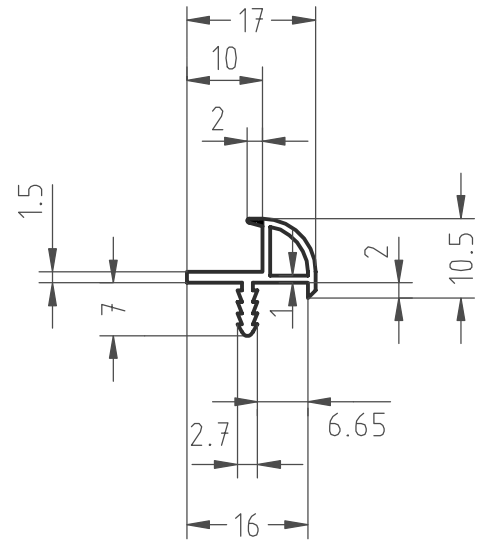
Sch 16.7



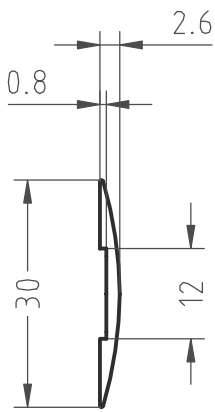
Sch 16.8



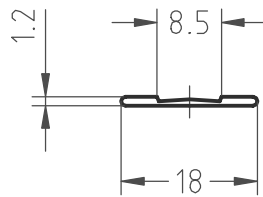
W 18.1



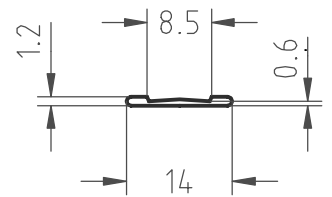
W 18.5



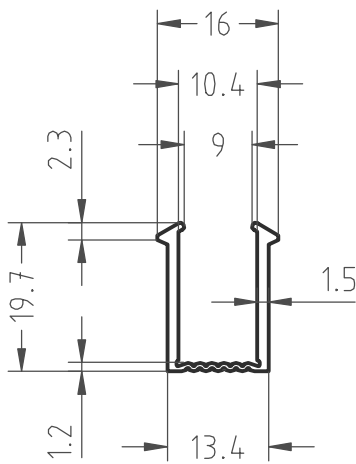
H 43.1



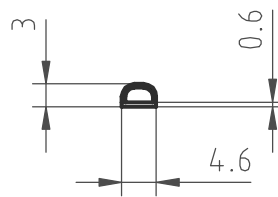
M 46.1



M 46.2

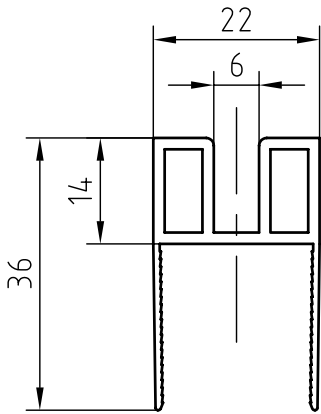


C 12.3

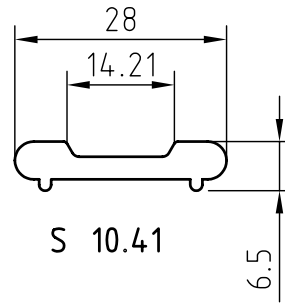


Sch 16.9

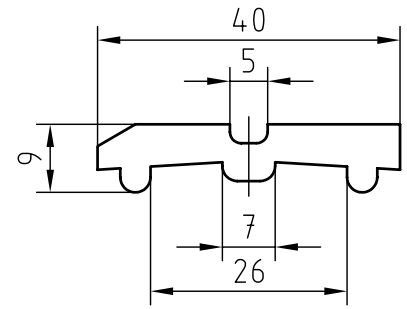




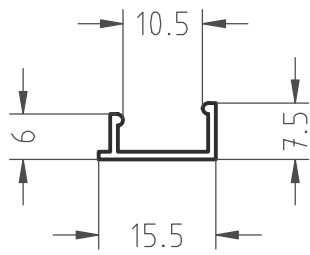
K 76.01



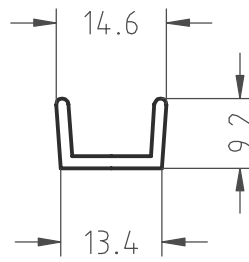
S 10.41



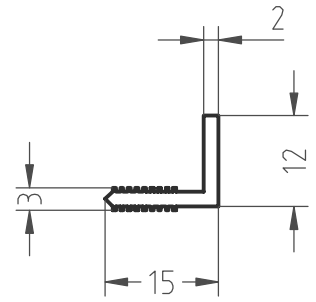
S 10.42



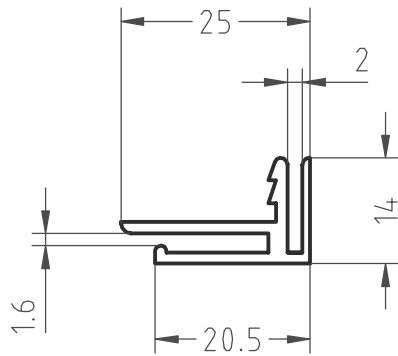
R 6.2



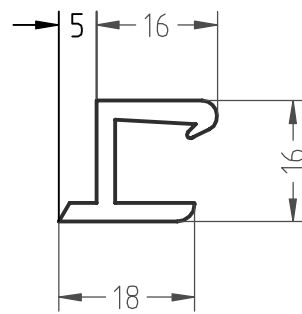
S 11.1



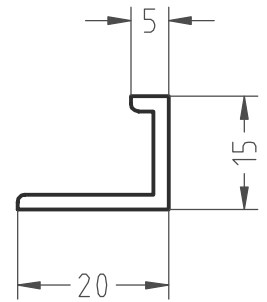
W 8.1



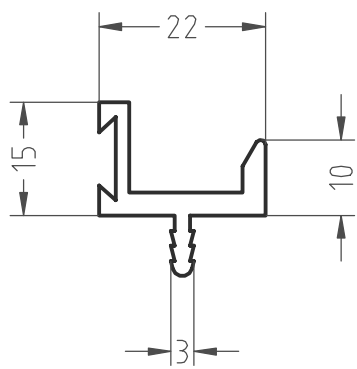
R 6.3



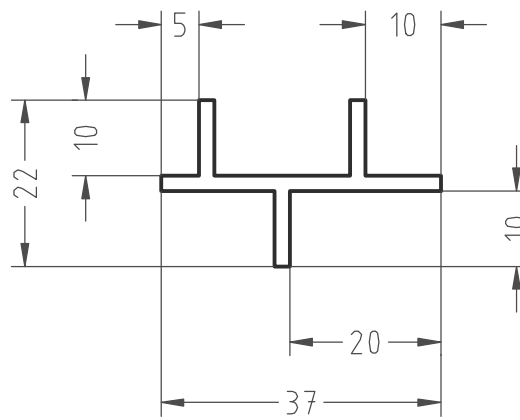
R 6.4



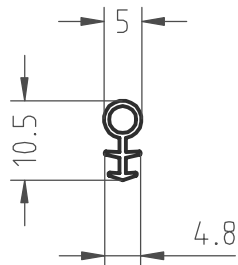
R 6.5



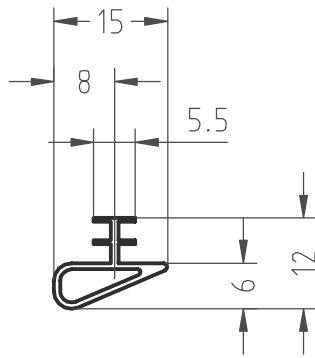
W 8.2



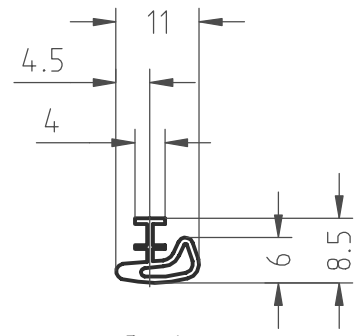
T 24.1



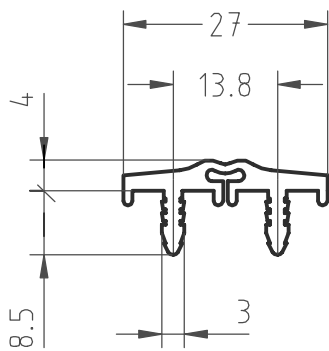
K 0.10



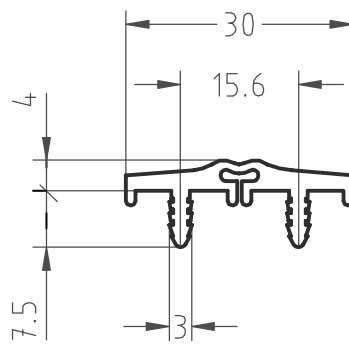
H 17.1



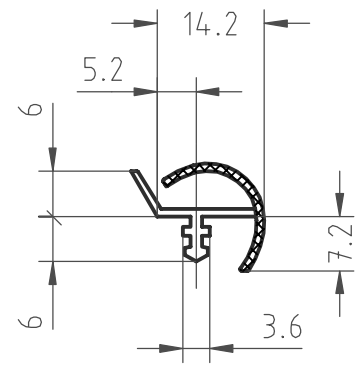
P 6.2



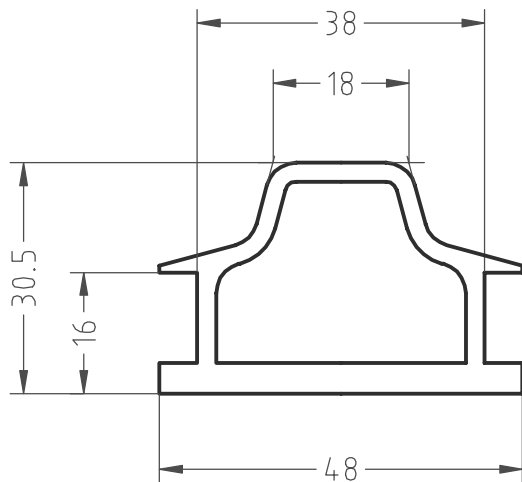
M 19.1



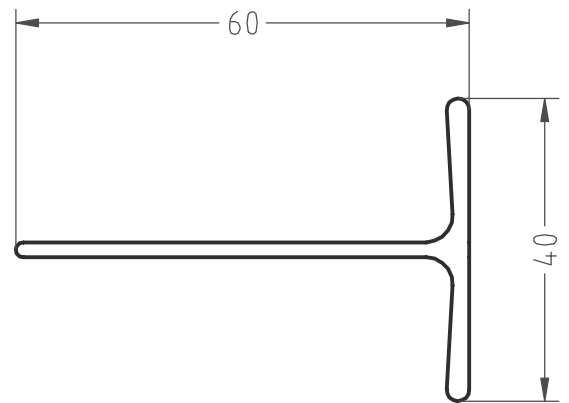
M 19.2



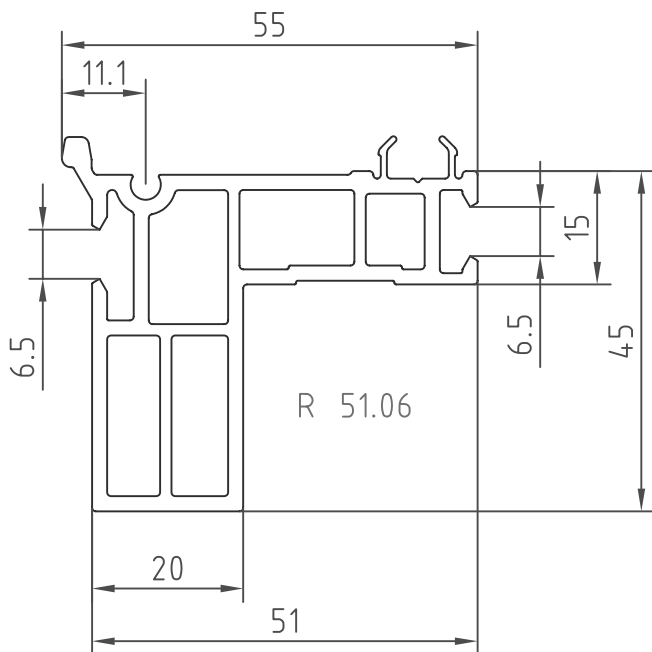
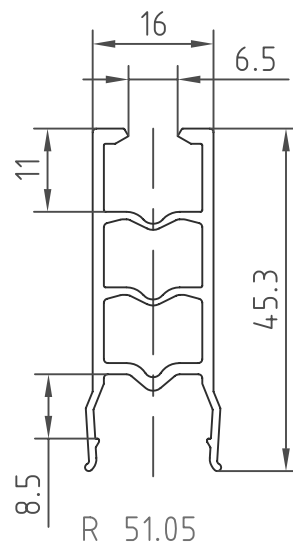
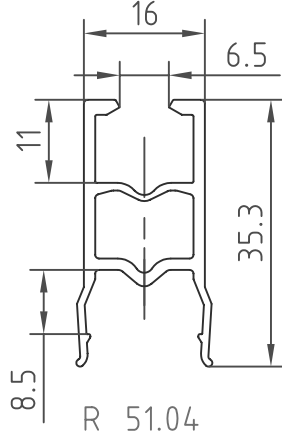
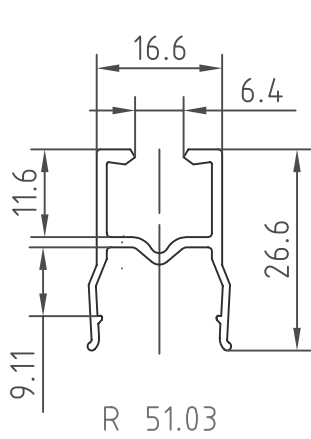
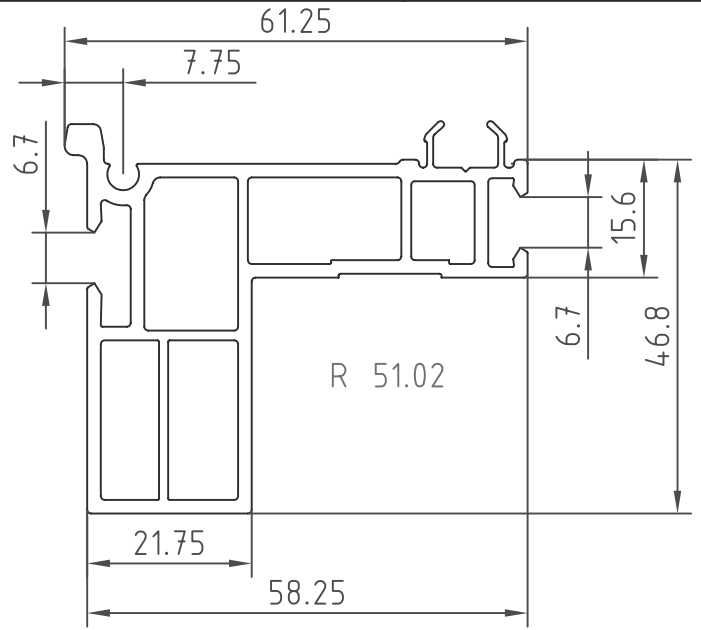
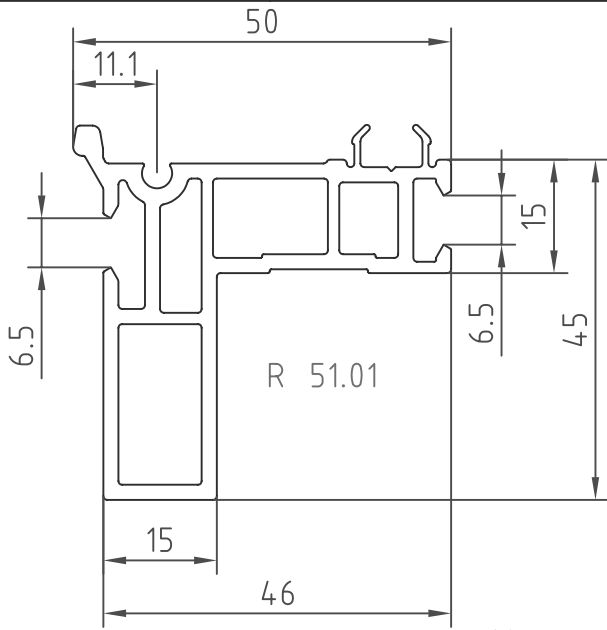
F 7.1

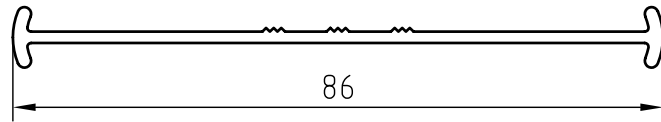
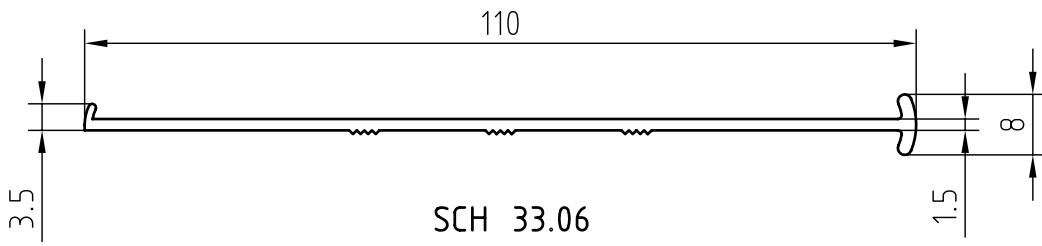


M 19.3

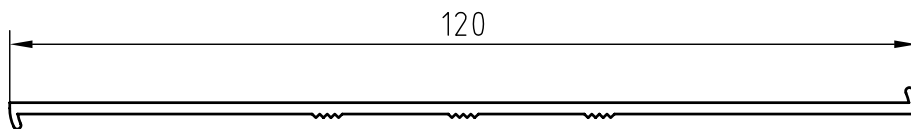


E 14

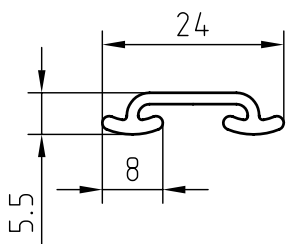




SCH 33.04



SCH 33.05



SCH 33.07