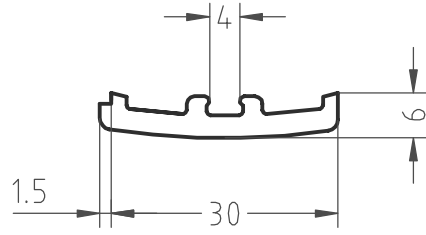
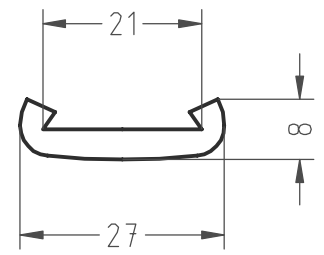


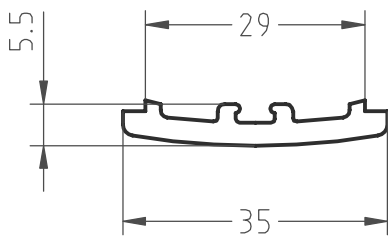
A 1.E5



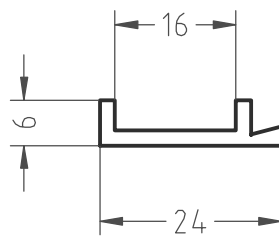
A 1.668.076.470.FZ-4



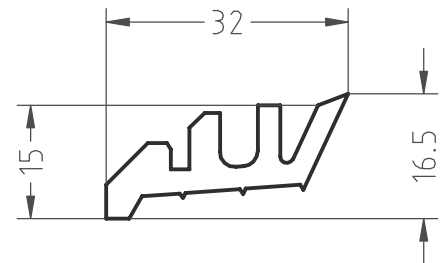
A 1.668.007.400



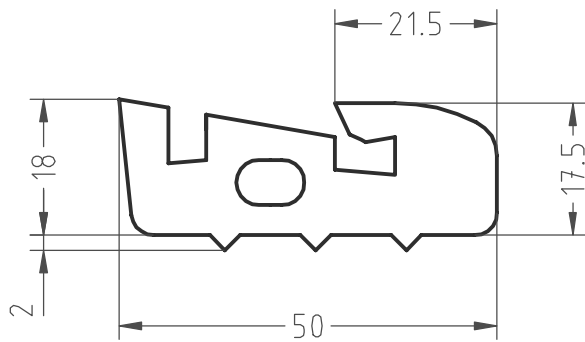
A 1.668.077.890 FZ-4



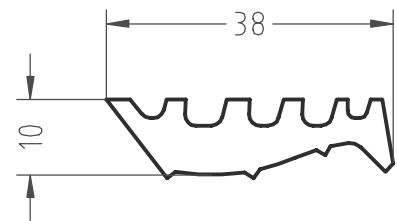
A 1.646.023.01.04



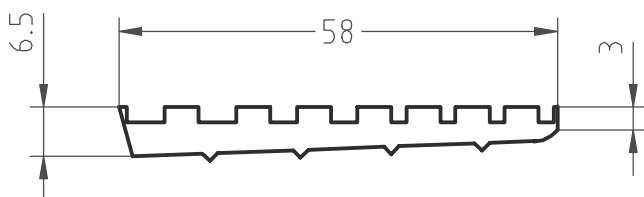
F 5.5



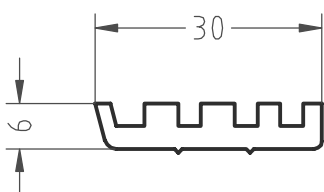
F 5.1



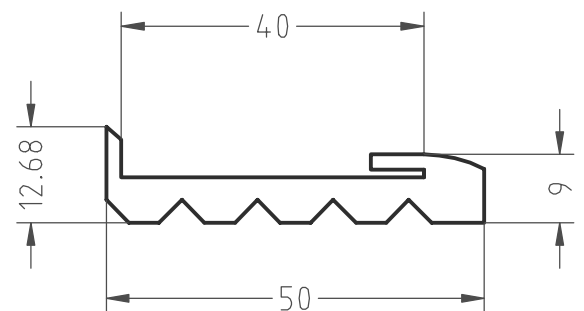
F 5.2



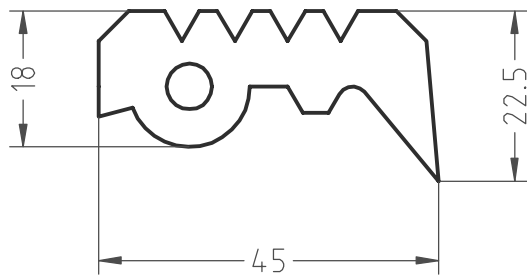
F 5.3



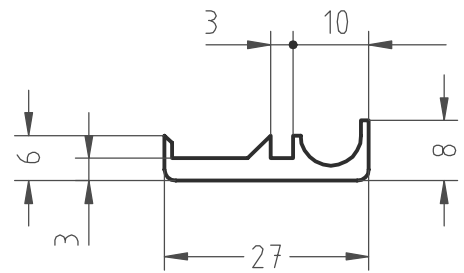
F 5.12



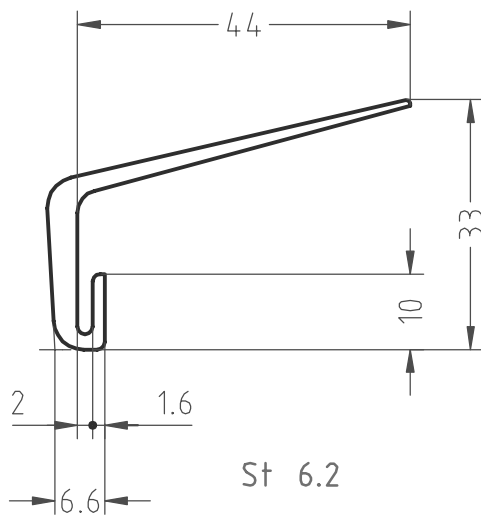
G 8.23



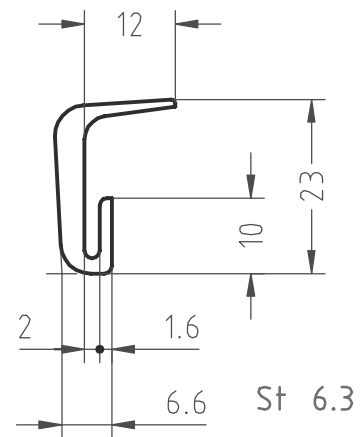
M 3.1



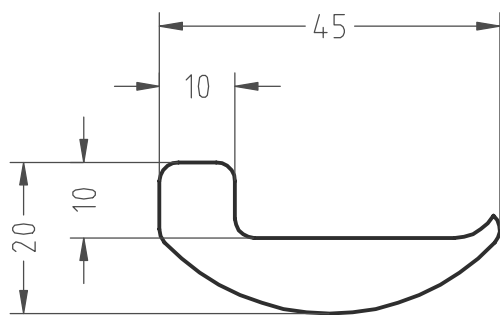
M 3.2



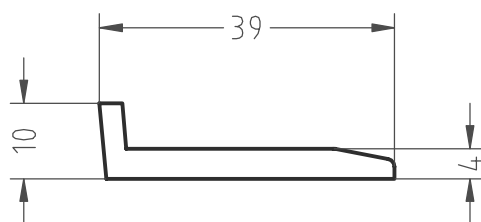
St 6.2



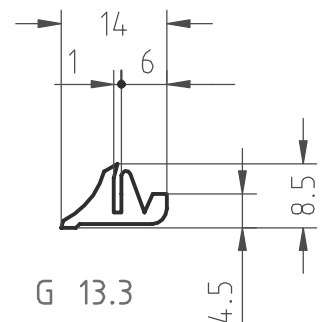
St 6.3



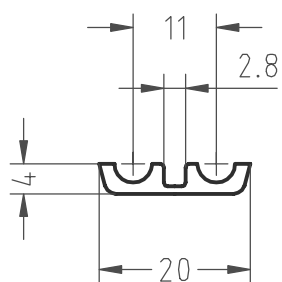
B 9.1



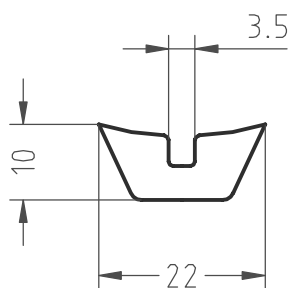
R 11.7



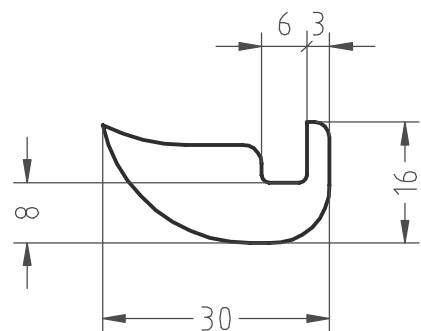
G 13.3



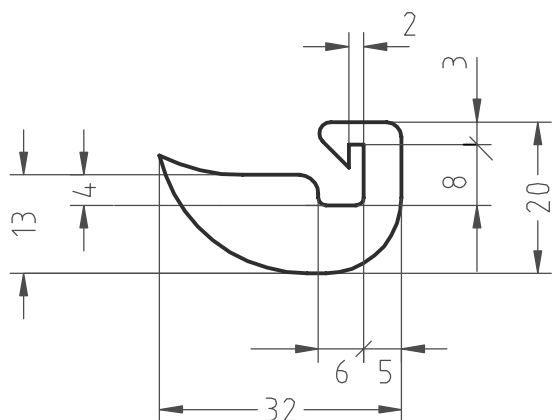
G 8.24



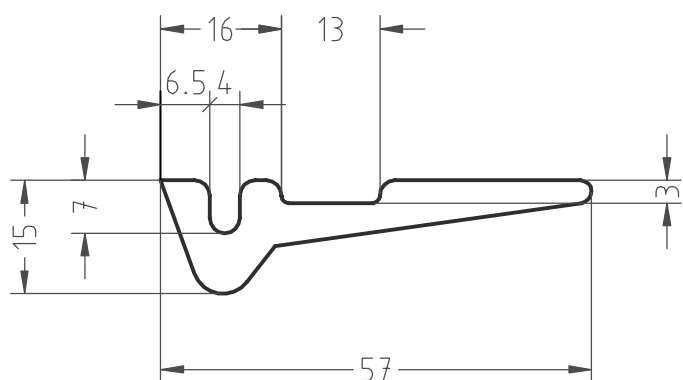
Sch 15.1



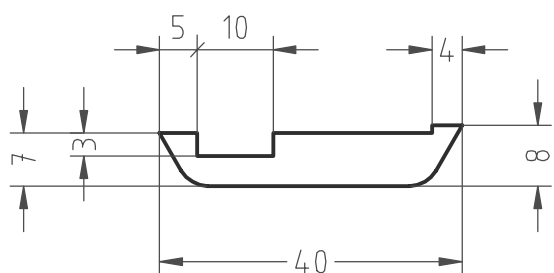
Sch 15.2



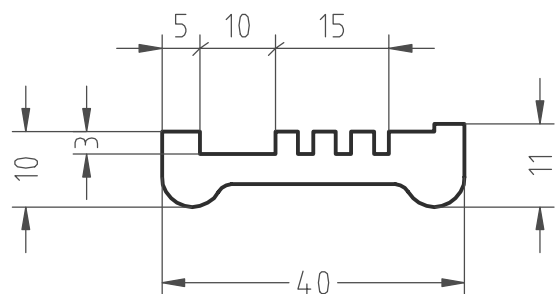
Sch 15.4



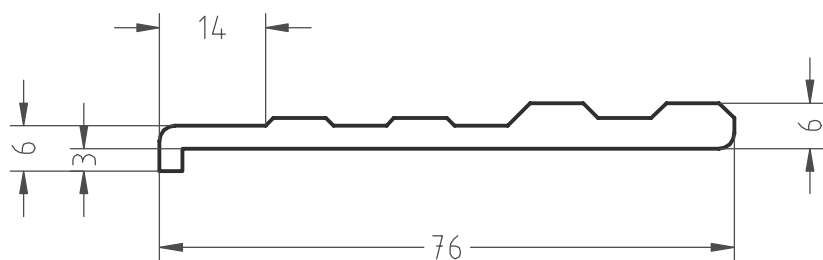
R 11.4



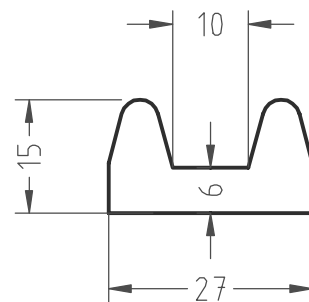
R 11.5



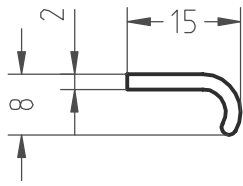
R 11.6



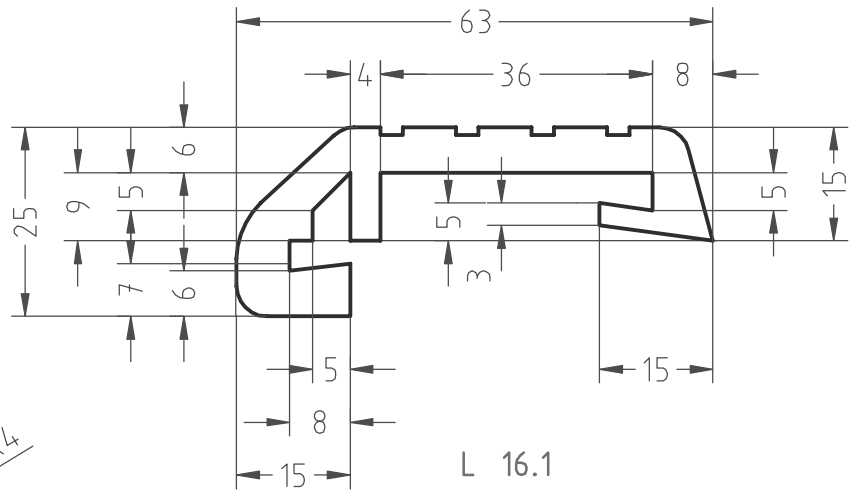
R 11.9



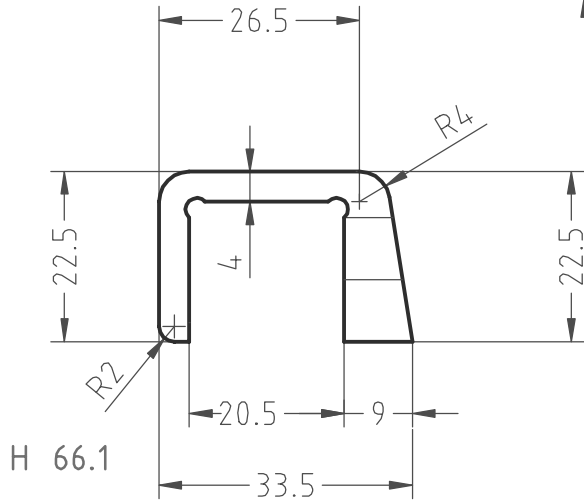
R 11.1



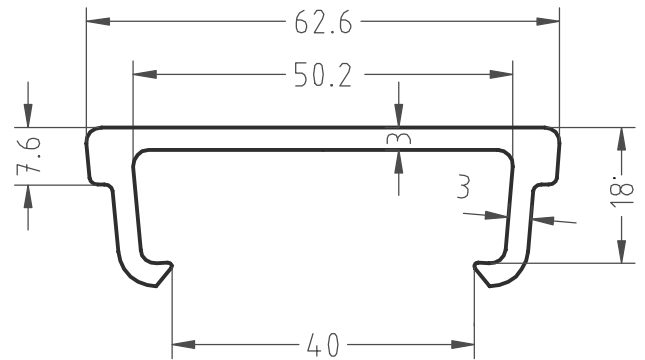
J 1.5



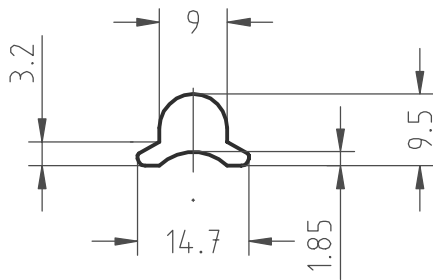
L 16.1



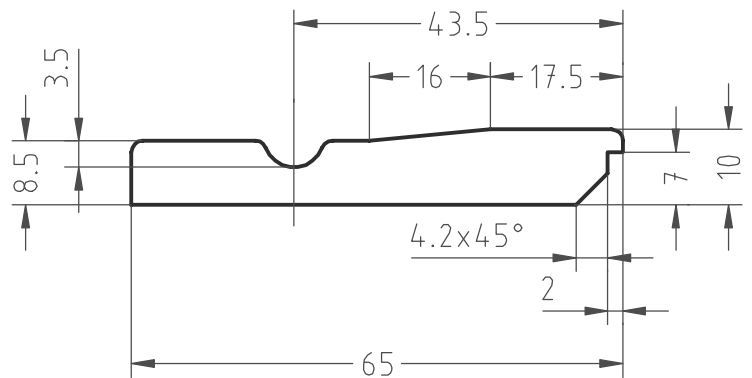
H 66.1



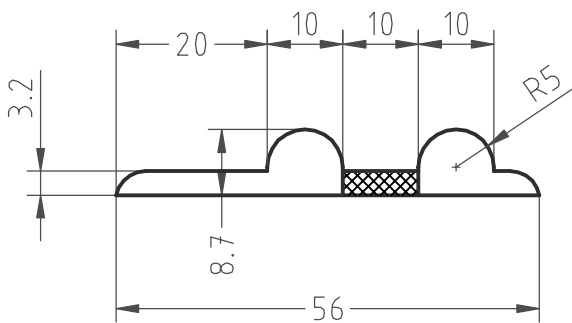
M 50.1



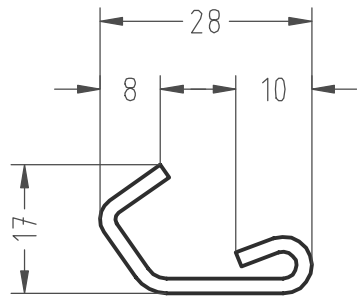
H 66.3



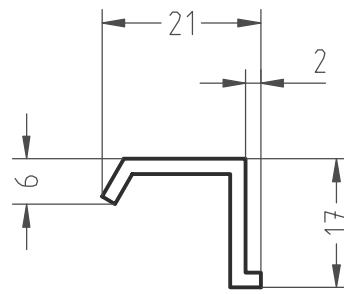
Sch 15.6



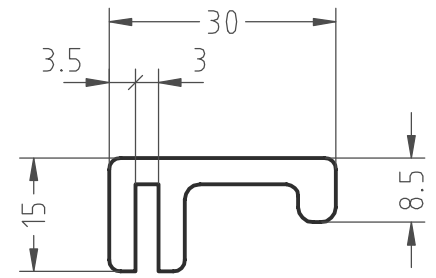
H 66.2



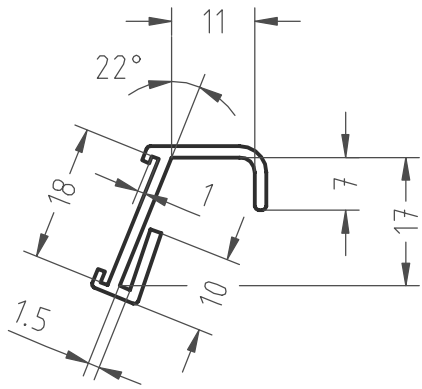
L 14.1



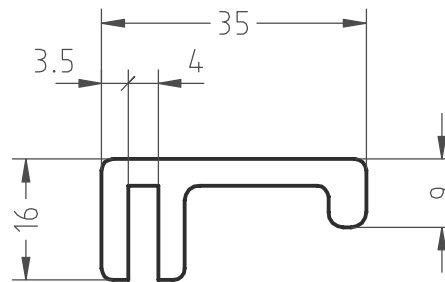
P 5.1



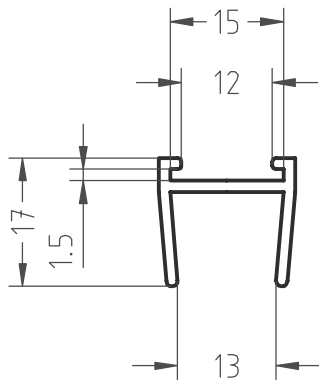
R 2.4



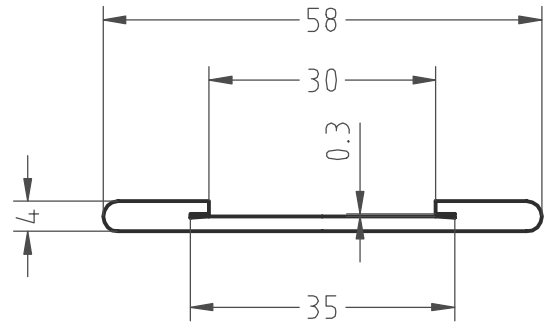
L 14.2



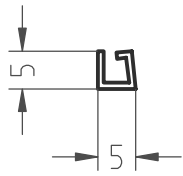
R 2.5



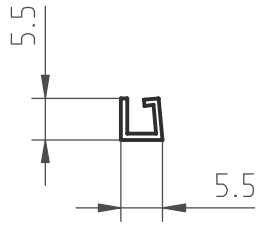
K 13.1



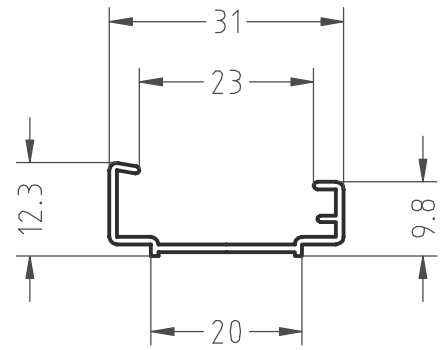
M 36.1



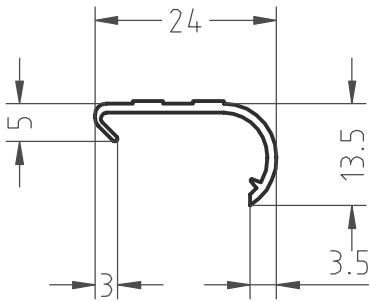
A 6.1



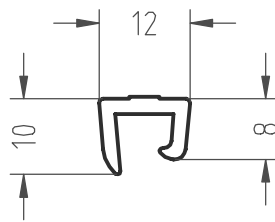
A 6.2



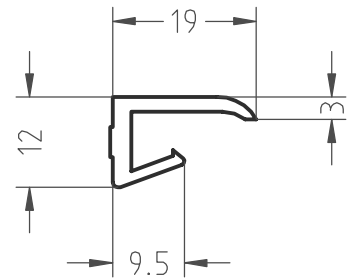
A 6.3



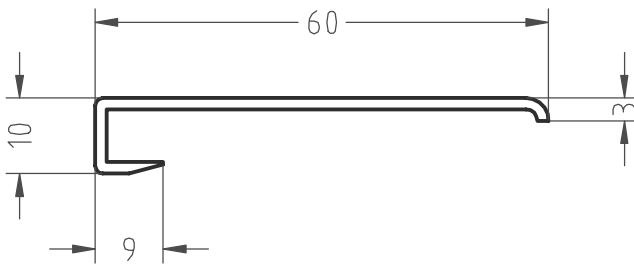
F 20.1



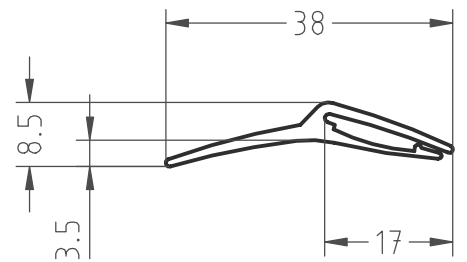
F 20.2



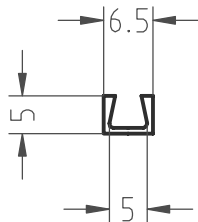
F 20.3



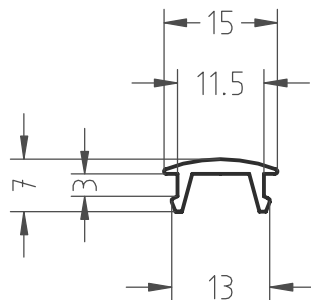
F 20.5



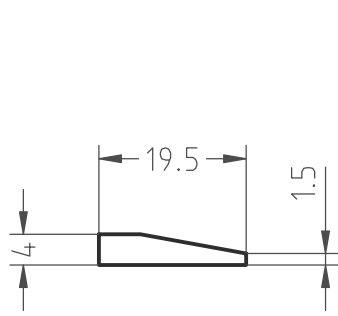
A 1.646 024



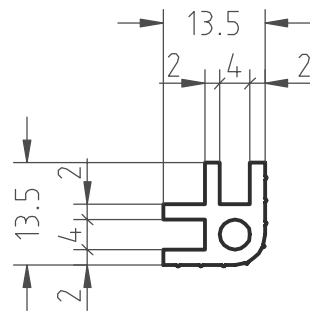
K 0.20



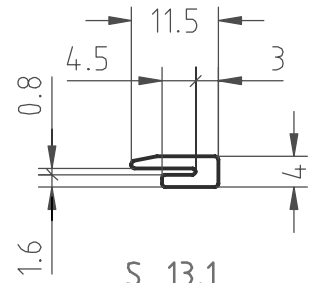
A 16.2



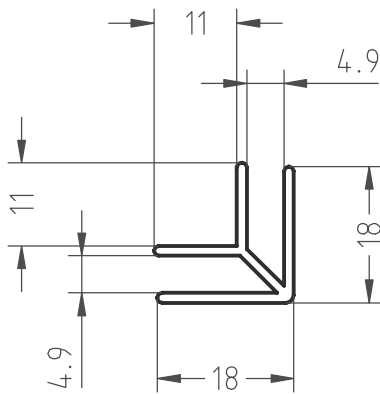
S 1.16



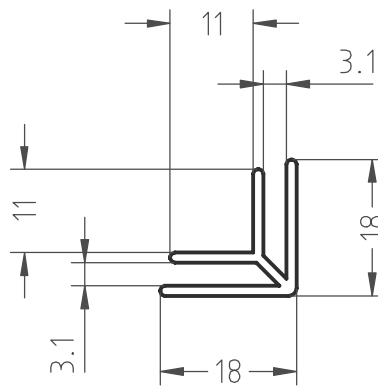
S 1.17



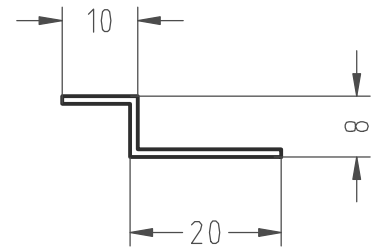
S 13.1



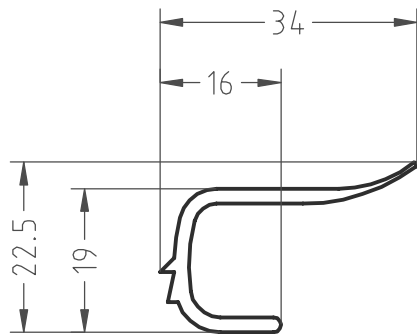
Sch 6.1



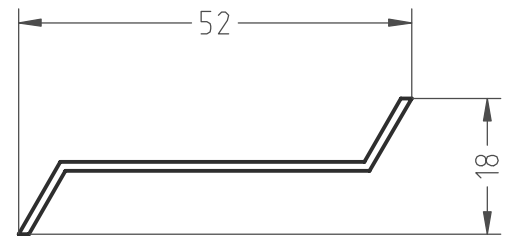
Sch 6.2



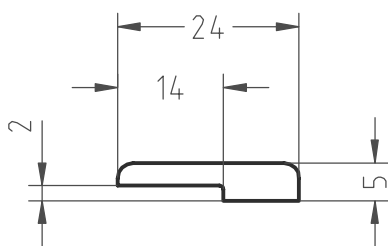
F 1.1



H 41.1

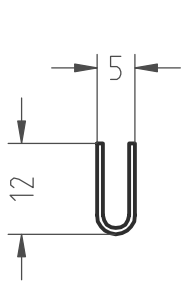


R 25.1

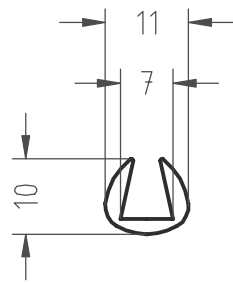


M 16.1

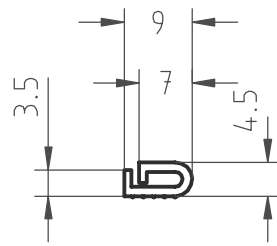




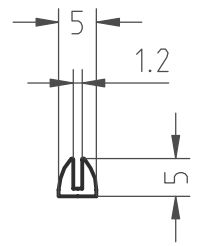
B 5.3



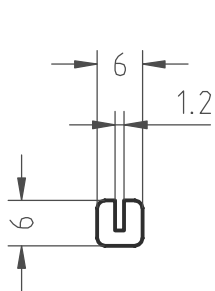
B 10.1



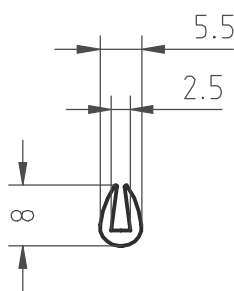
St 3.2



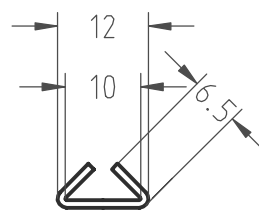
B 38.3



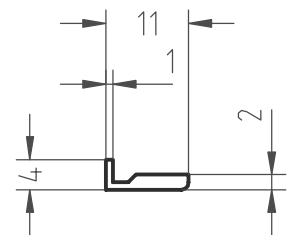
E 19.1



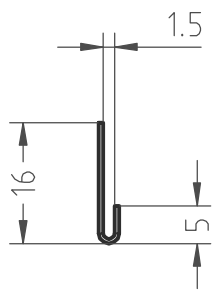
F 6.1



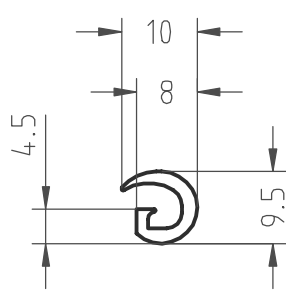
B 5.4



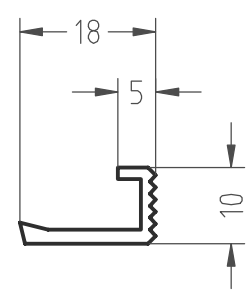
J 2E



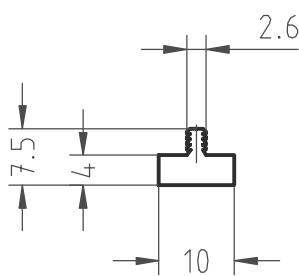
R 5.6



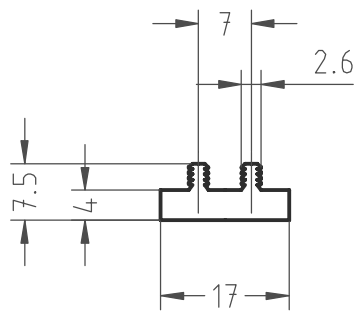
St 3.3



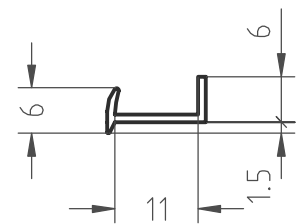
St 3.4



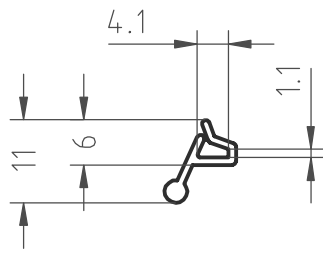
S 1.7



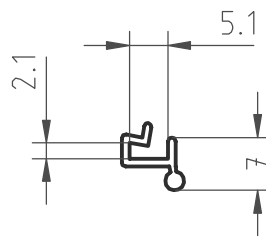
S 1.10



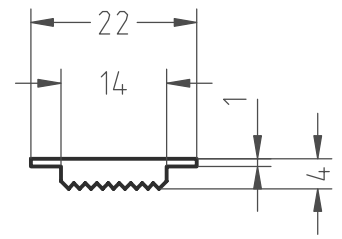
N 6.3



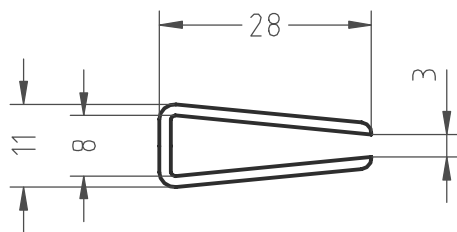
L 5.1



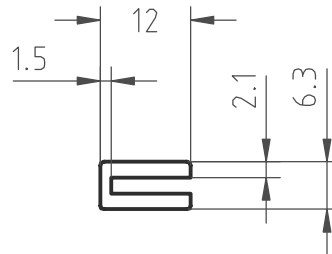
L 5.2



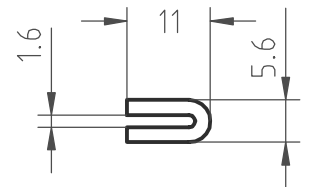
L 7.2



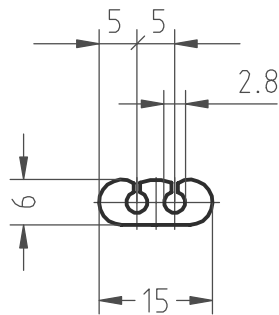
B 1.3



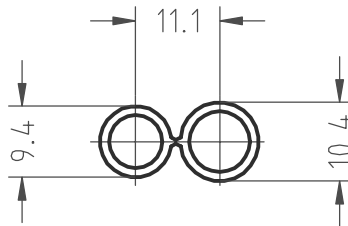
R 11.8



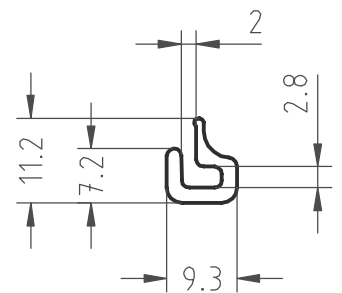
St 6.1



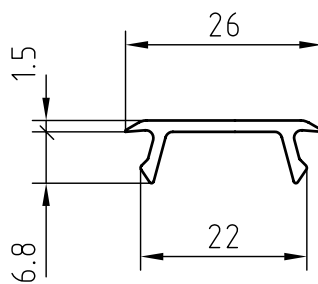
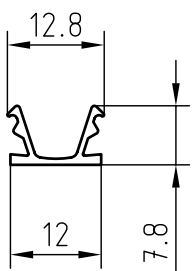
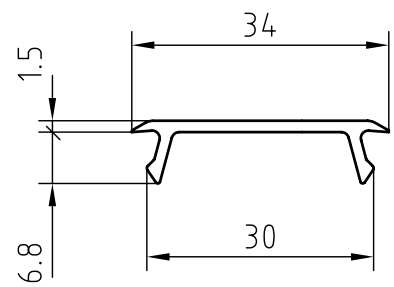
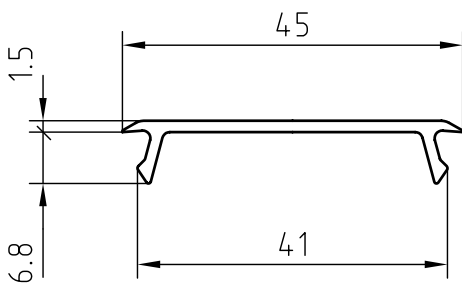
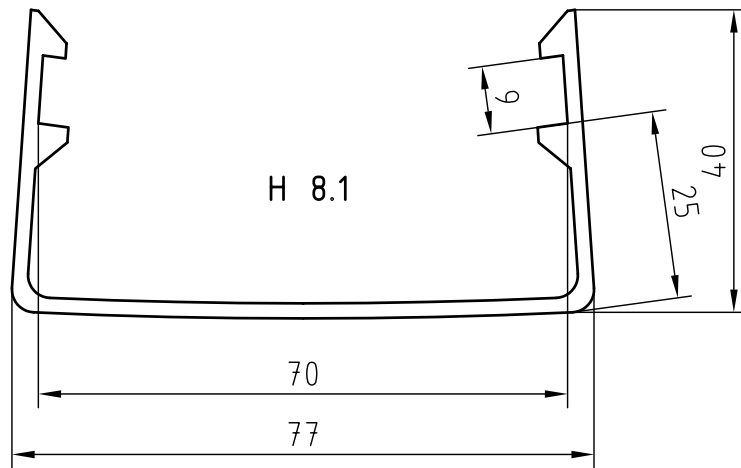
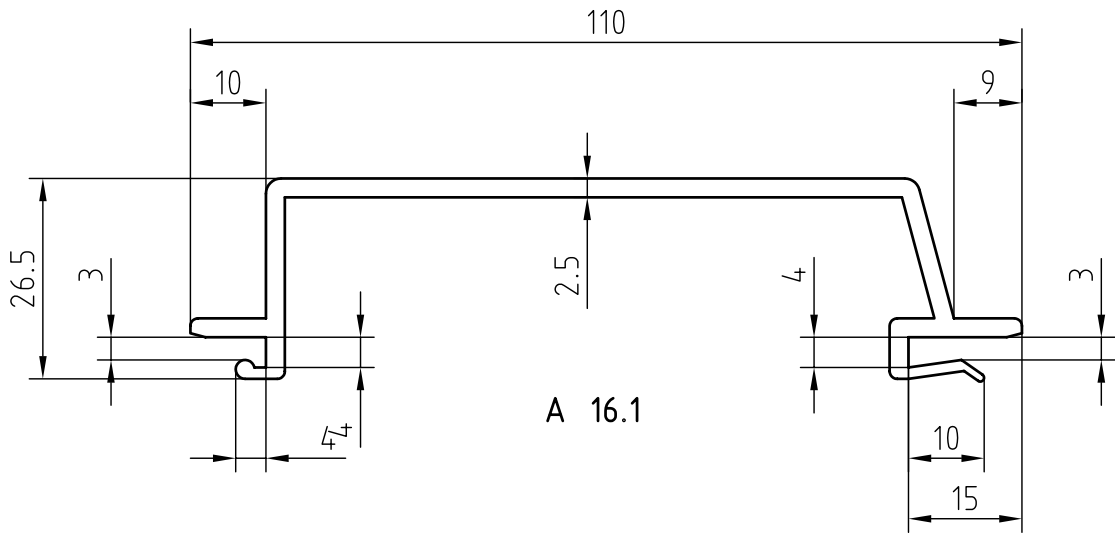
T 11.1

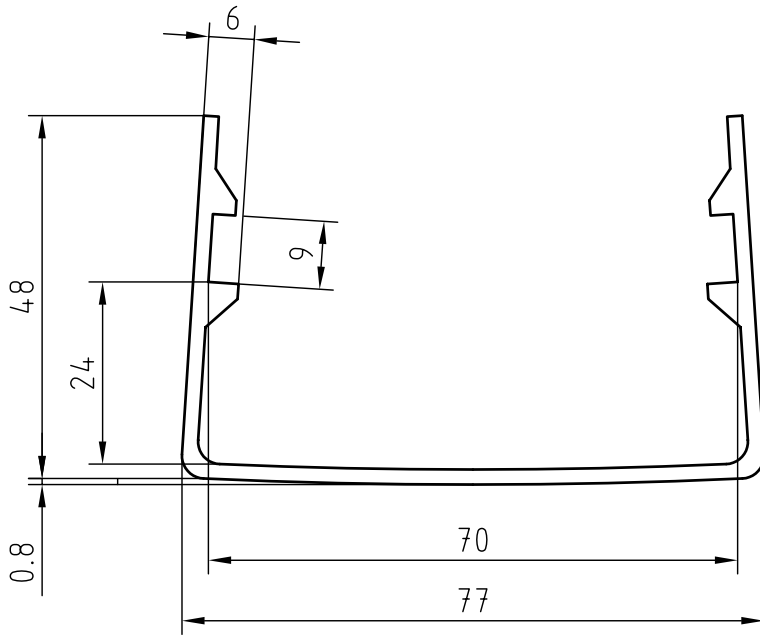


F 24.1

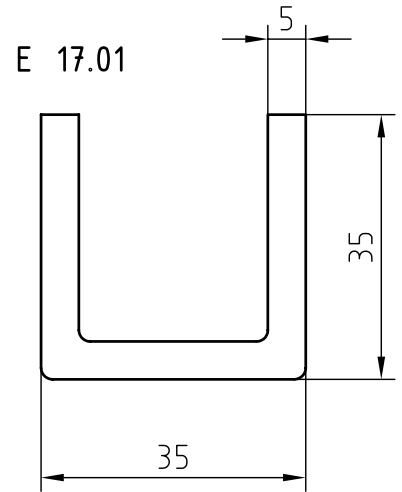


F 11.1



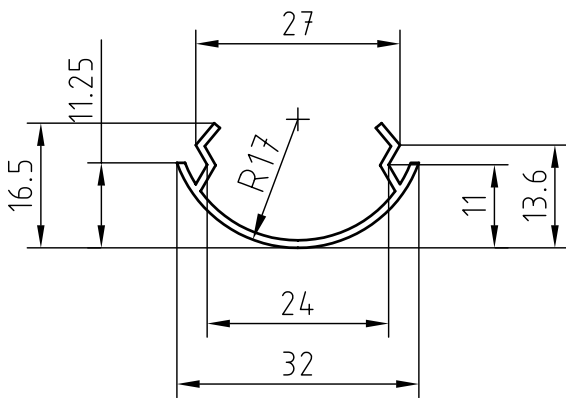


H 8.2

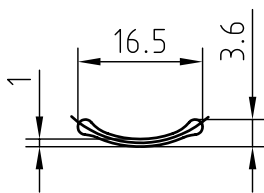


E 17.01

A, 16.07

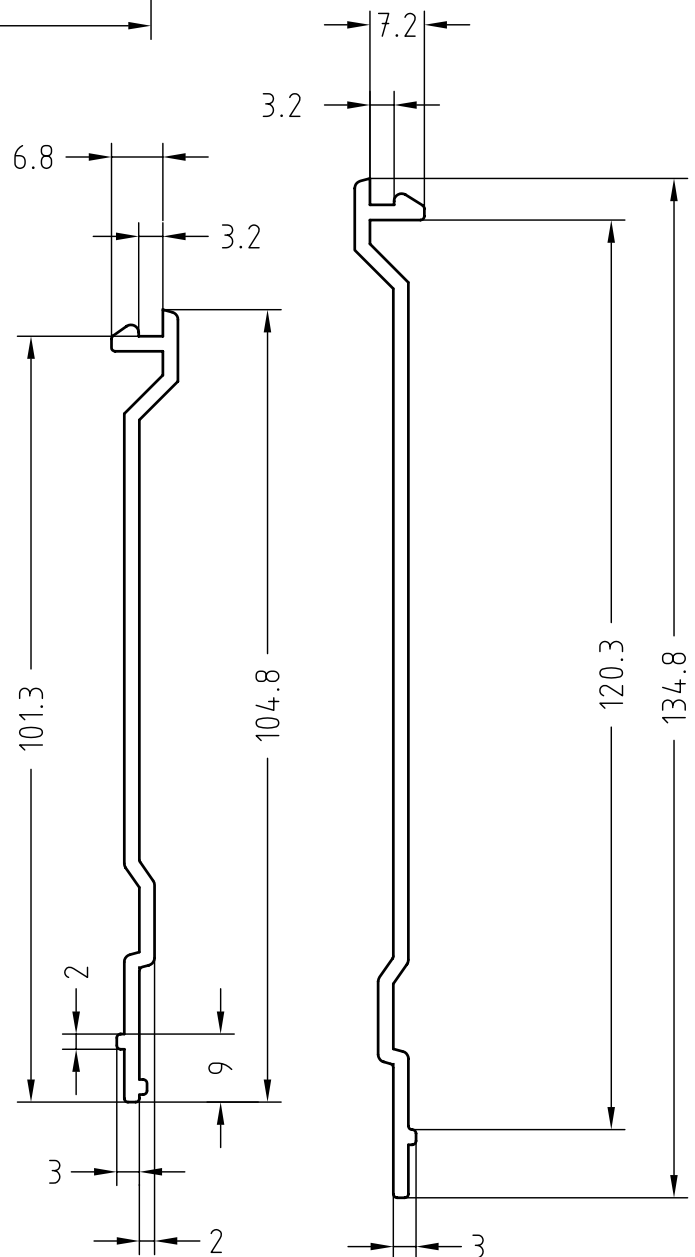


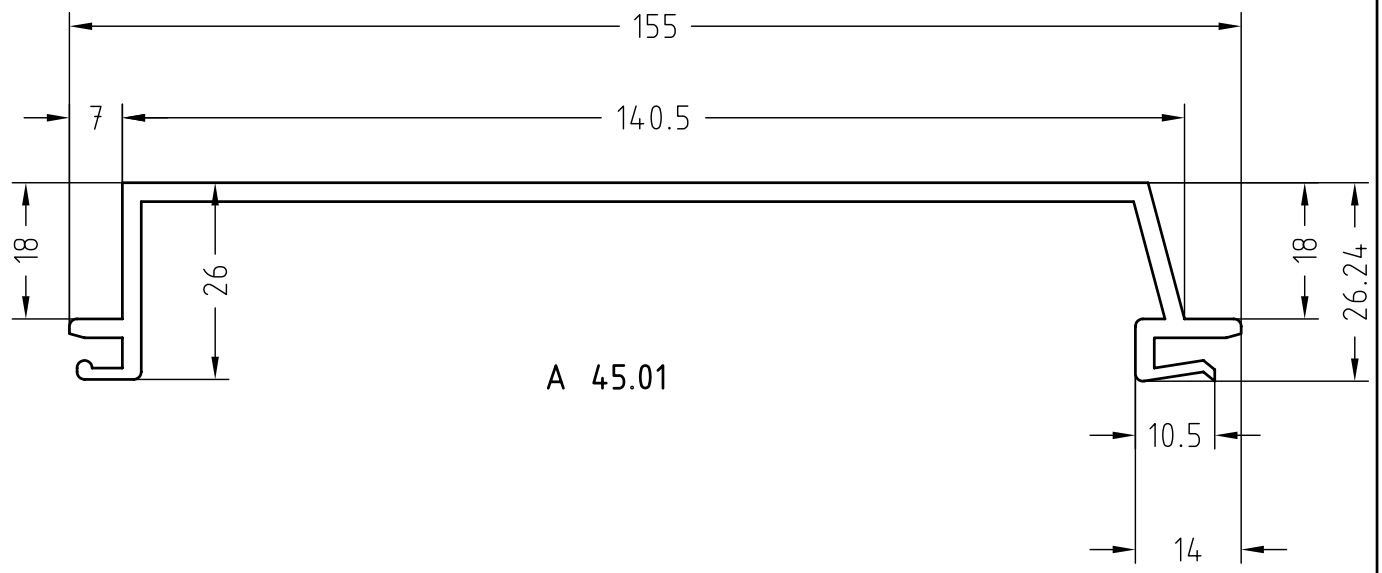
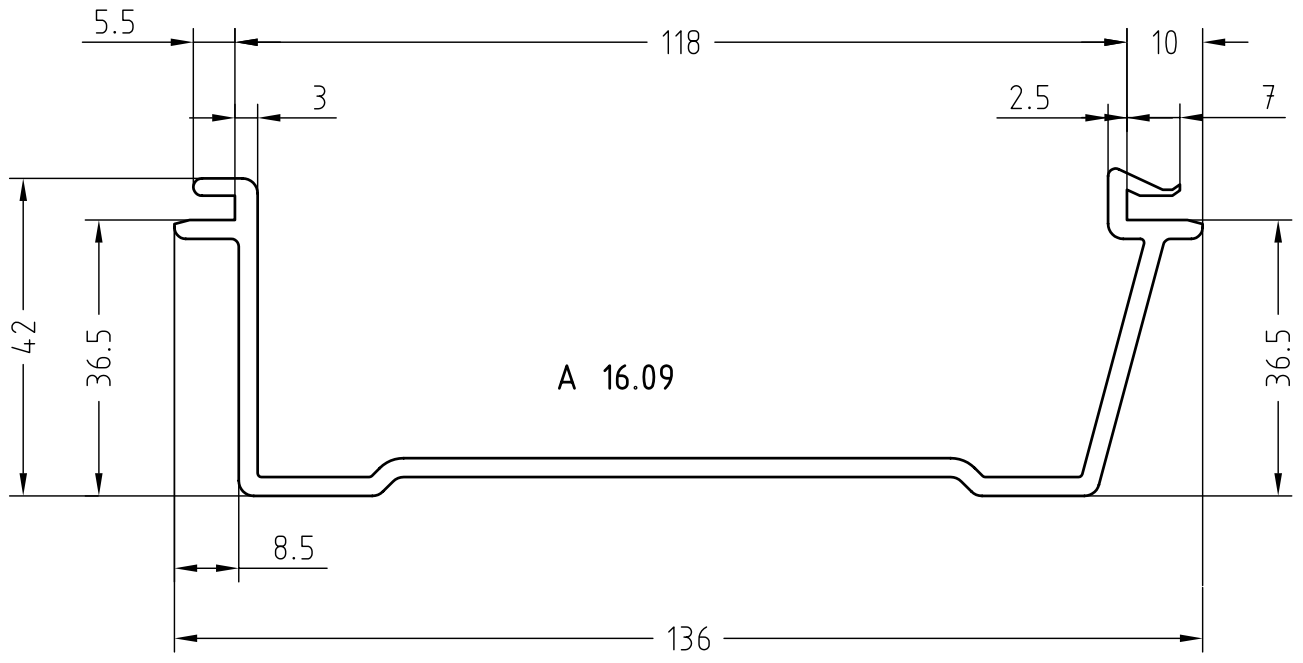
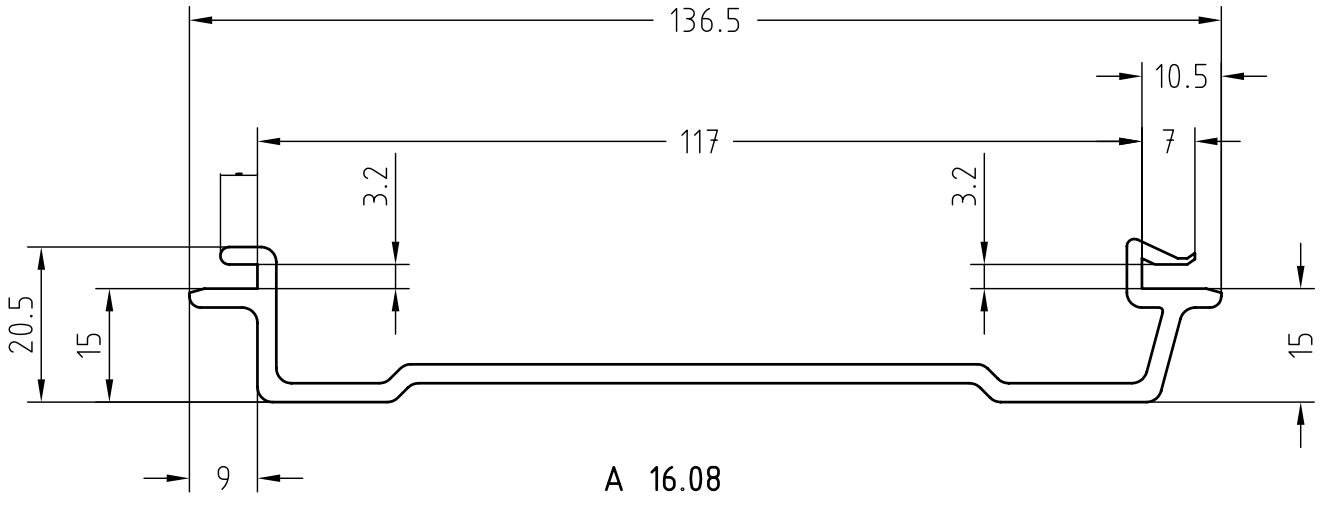
S 1.26

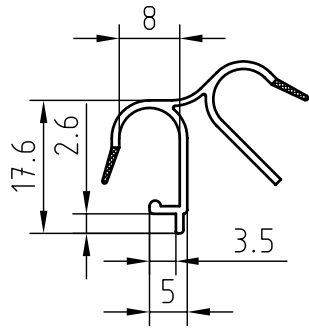


E 39.02

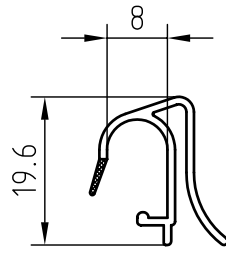
A 16.10



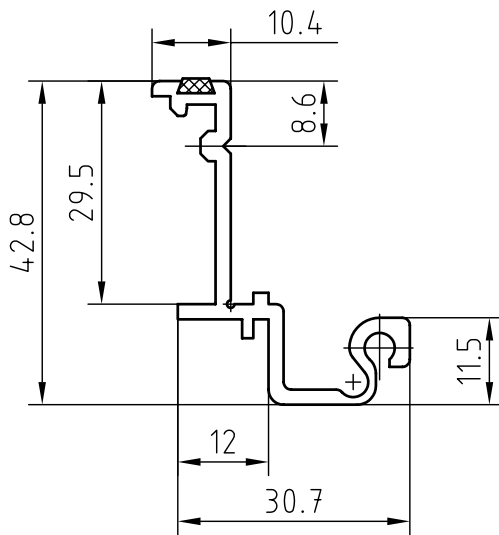




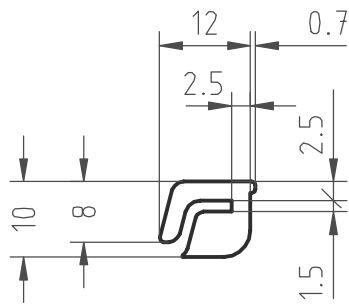
R 16.32



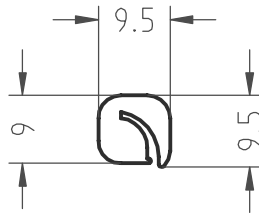
R 16.33



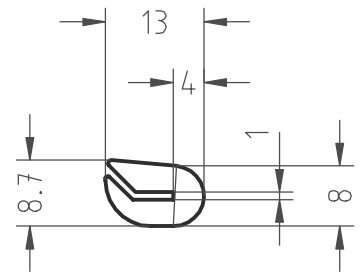
R 16.34



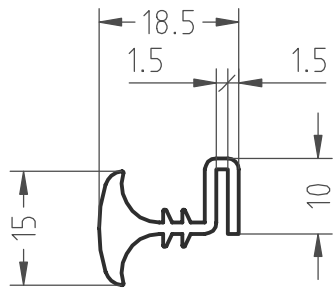
A 1.1



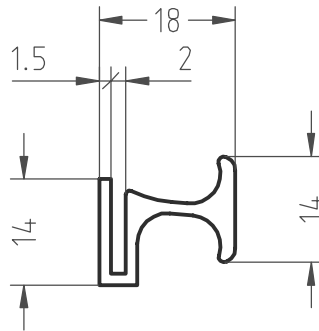
B 63.1



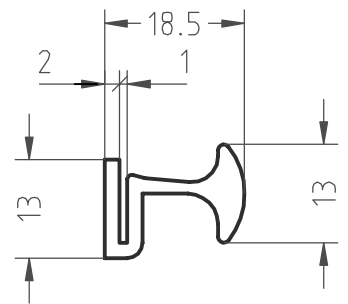
EZ 64 5117



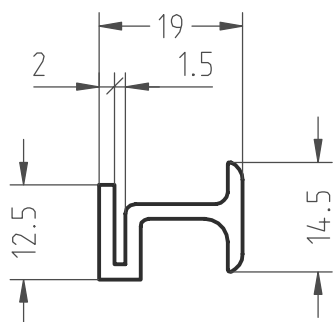
B 38.1



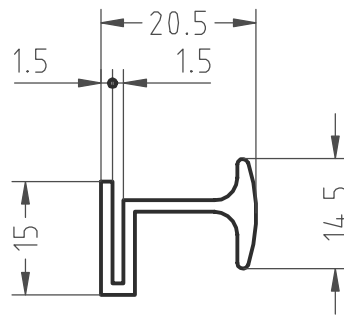
S 103



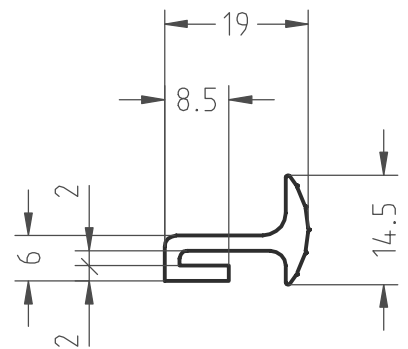
S 103.1



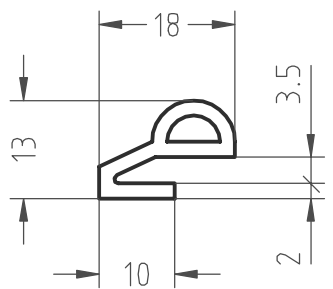
S 103.2



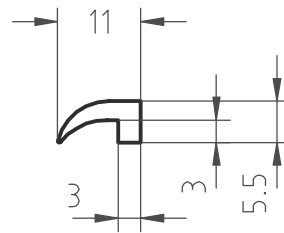
S 103.4



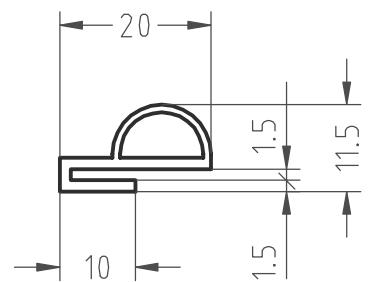
S 119



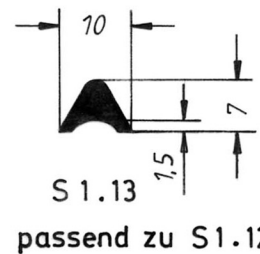
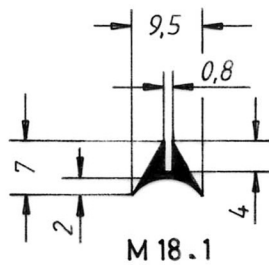
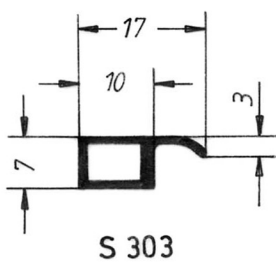
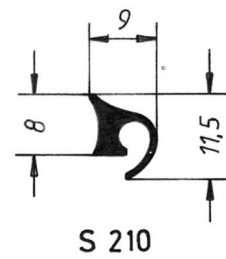
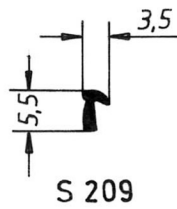
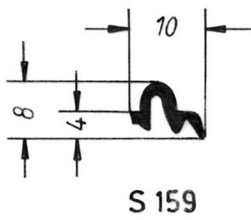
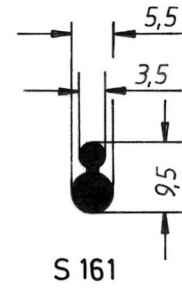
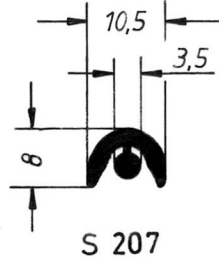
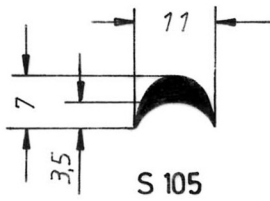
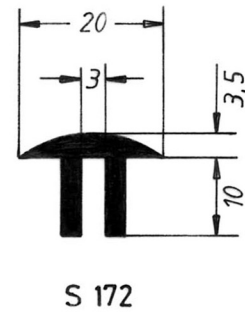
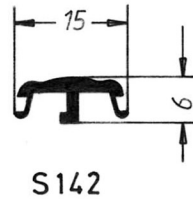
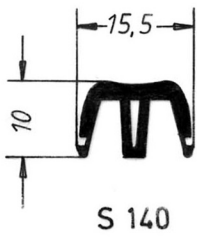
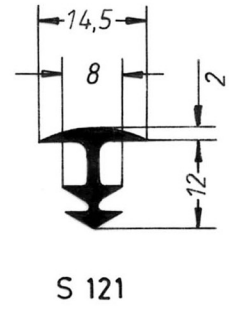
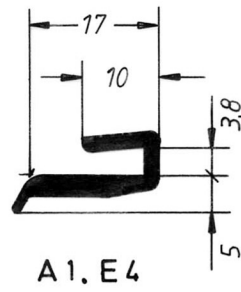
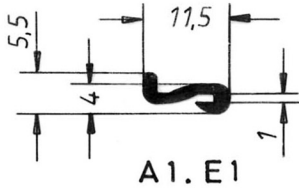
A 1.E3



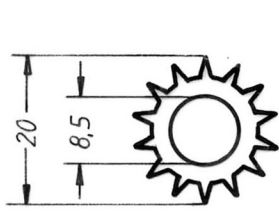
A 1.64504263.0



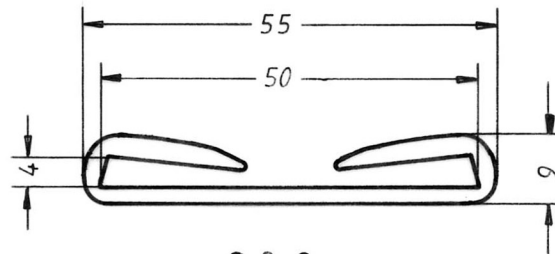
A 1.E2



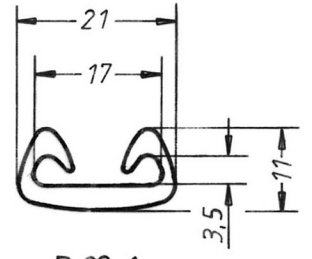




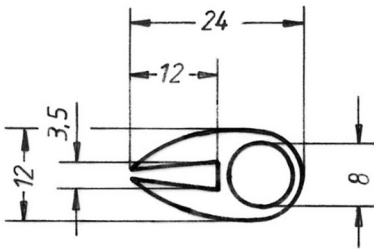
G 1.1



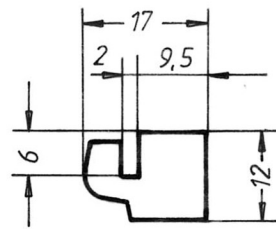
G 8.6



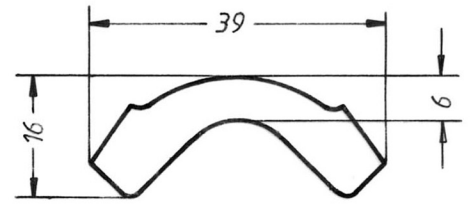
B 20.1



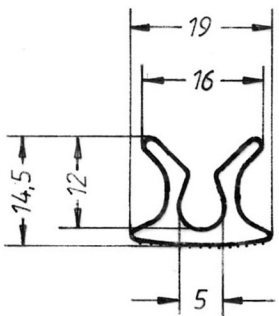
R 5.7



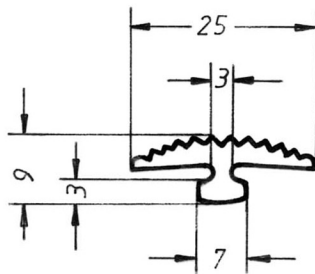
S 174



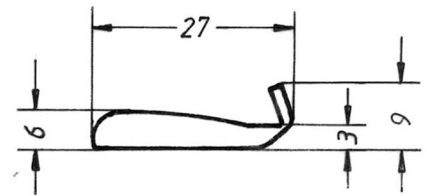
S 300



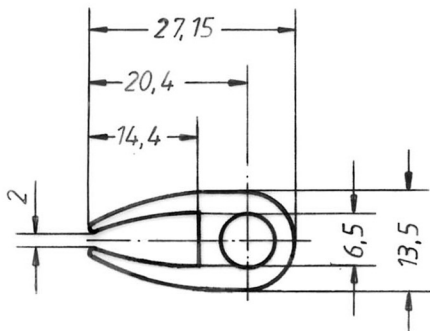
S 301



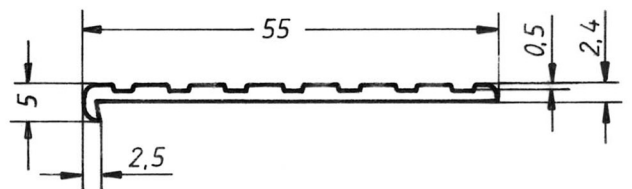
S 302



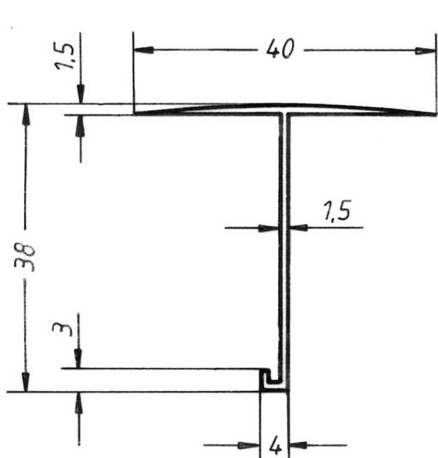
S 10.1



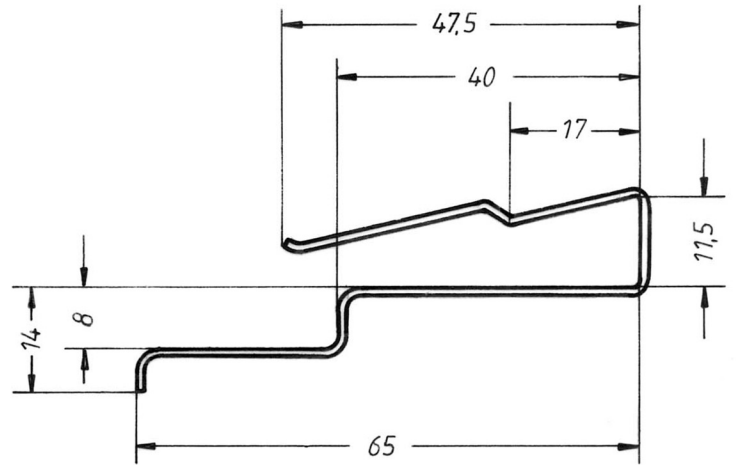
R 15.1



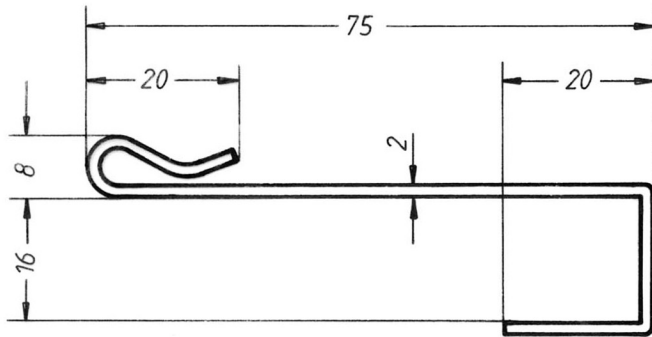
K 12.1



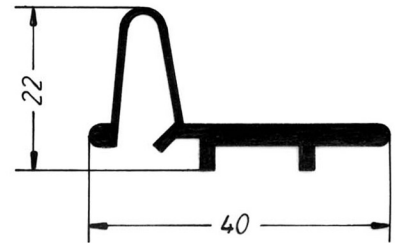
B 24.1



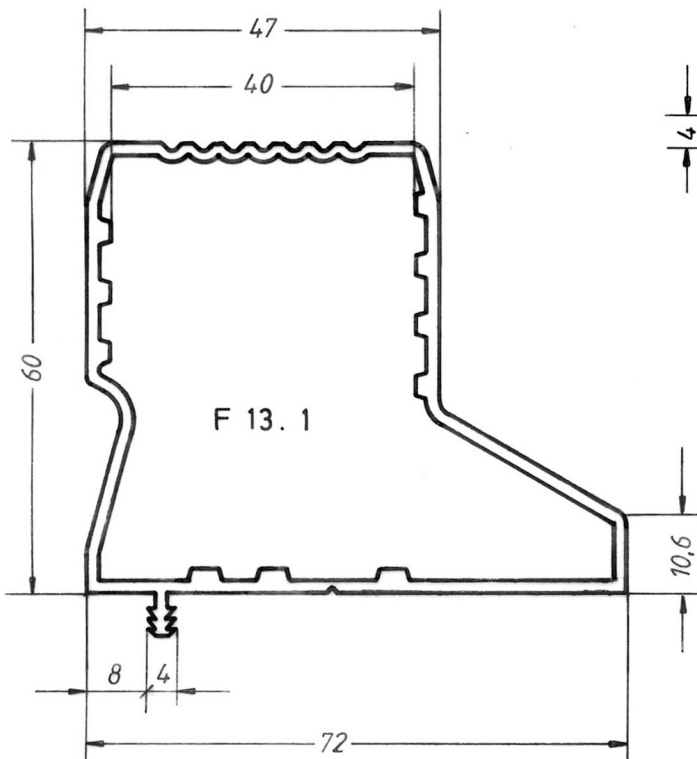
I 4.1



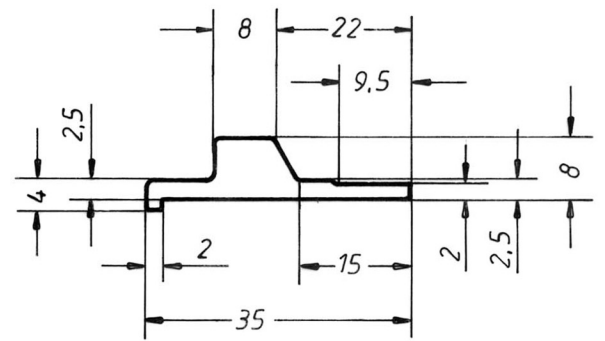
S 6.1



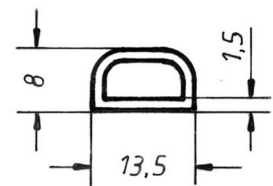
S 8.1



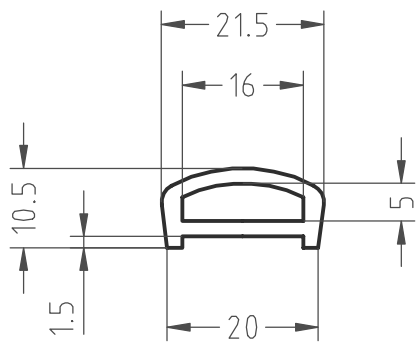
F 13.1



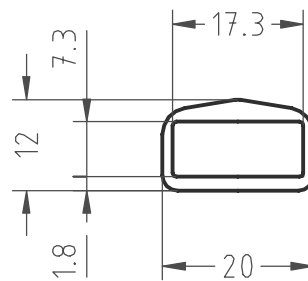
A 16.3



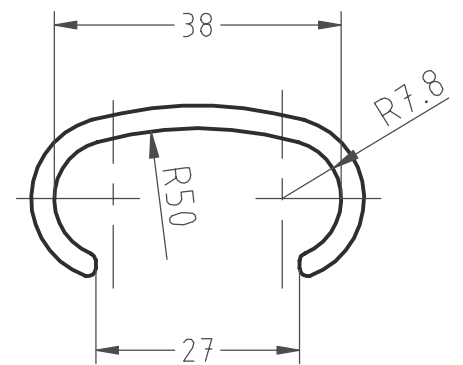
G 28.6



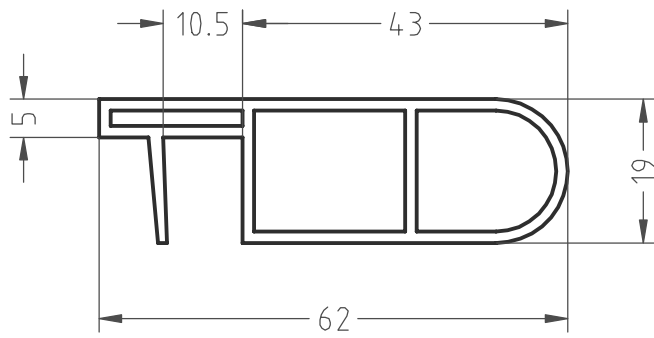
B 38.5



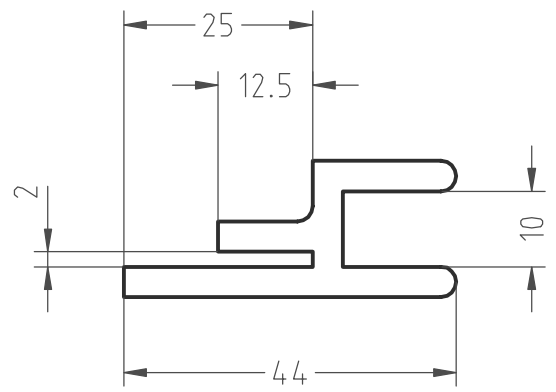
B 38.6



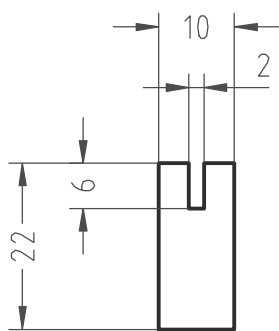
E 6.1



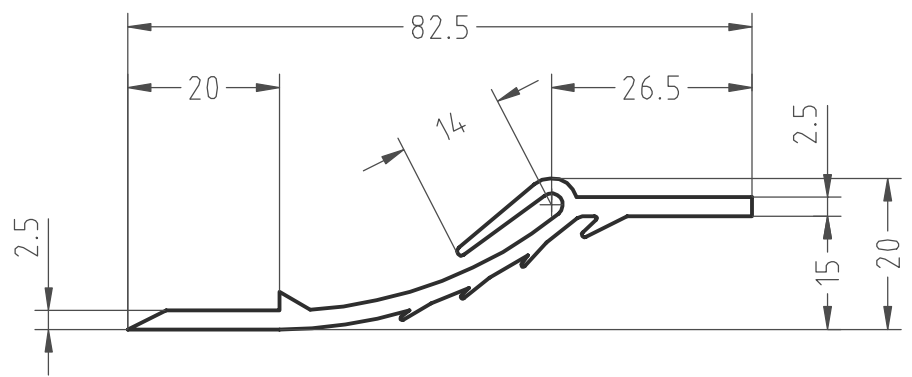
E 4.1



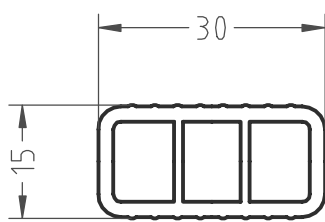
D 5.1



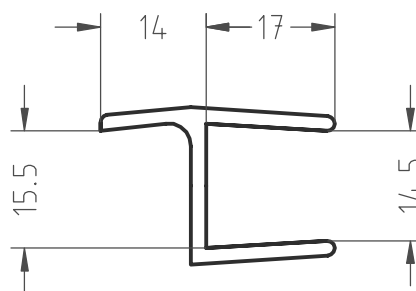
F 6.7



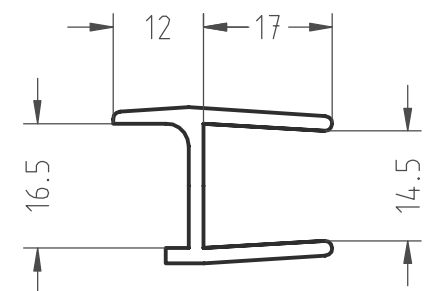
G 3.1



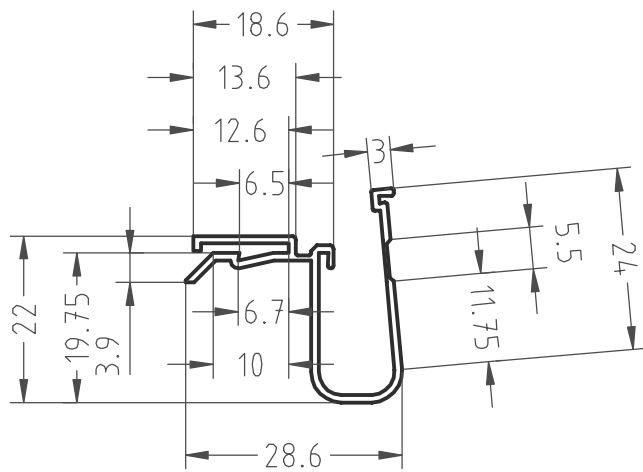
M 30.1



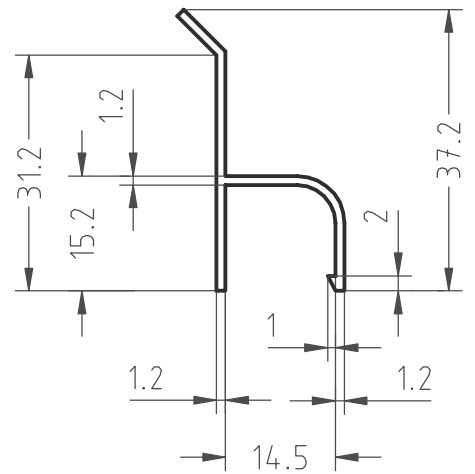
N 6.1



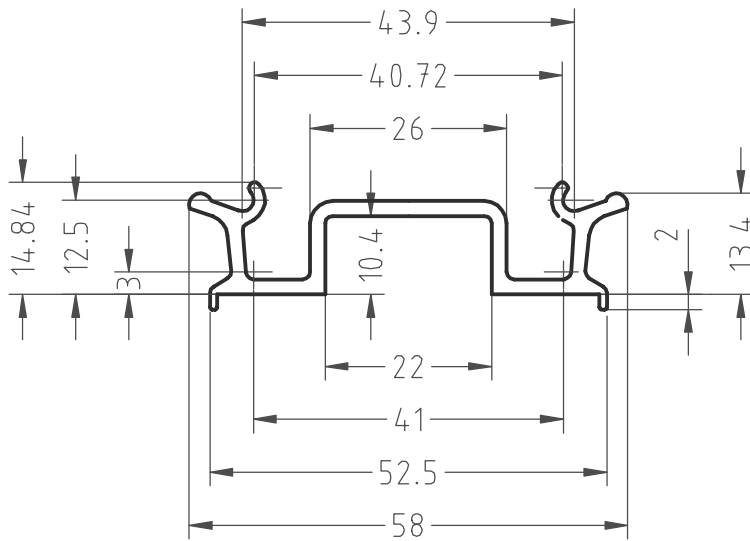
N 6.2



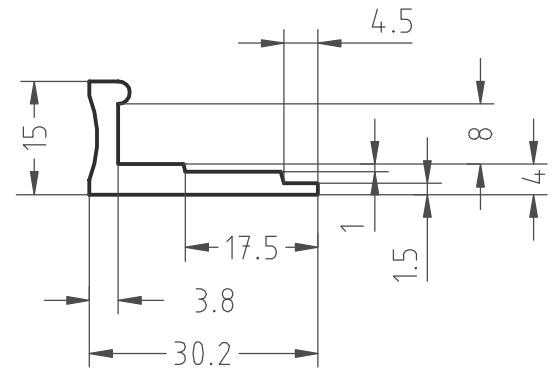
R 16.7



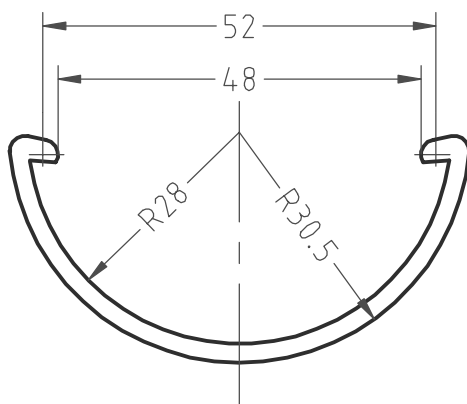
R 16.8



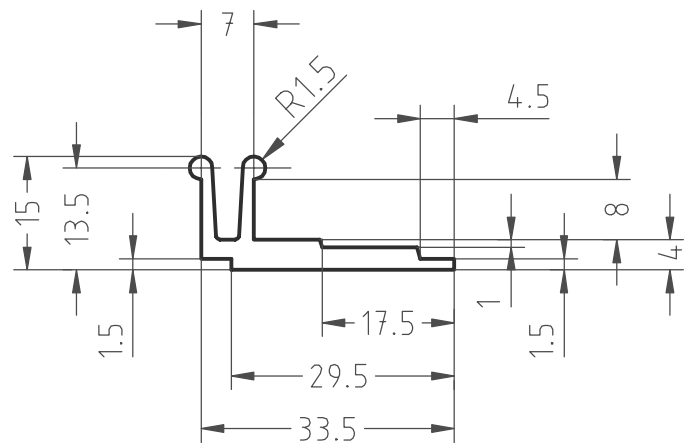
R 16.2



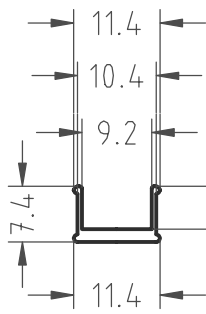
R 16.3



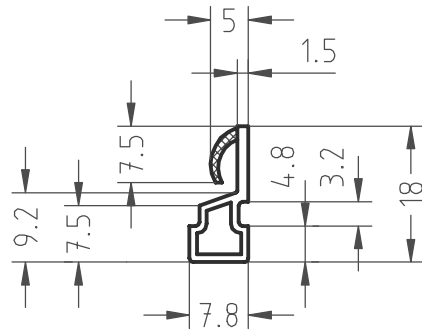
R 16.5



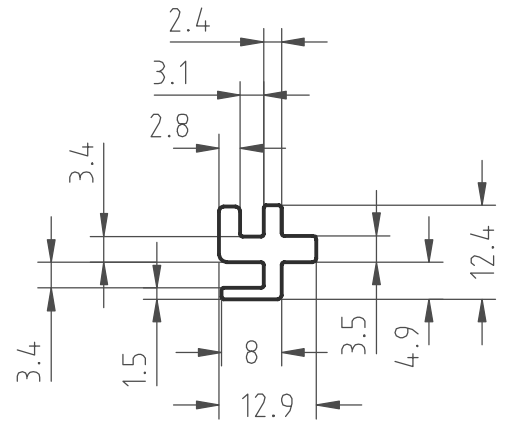
R 16.4



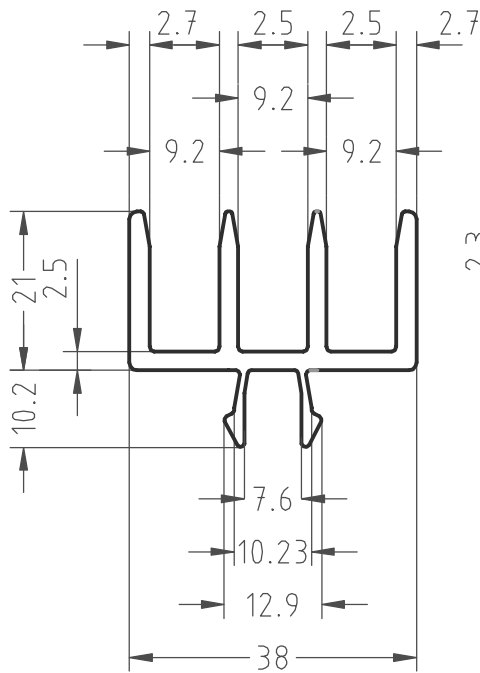
R 16.6



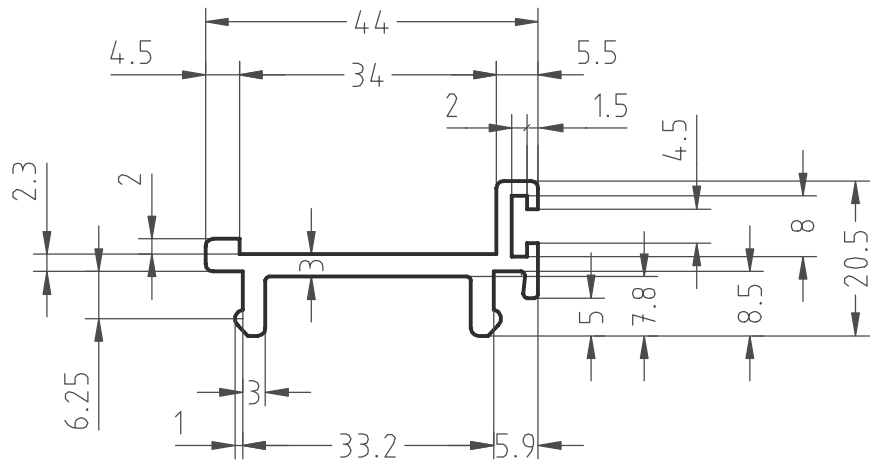
R 16.9



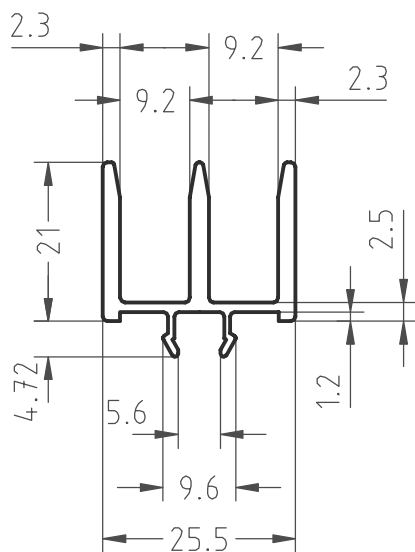
R 16.12



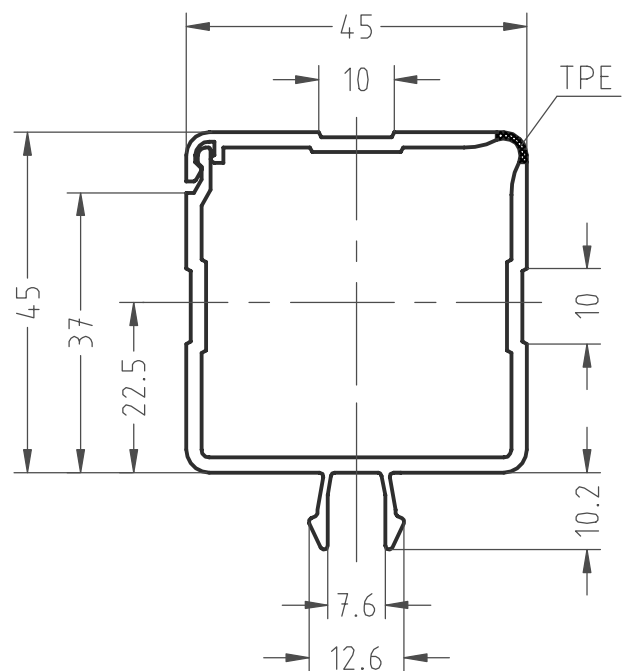
R 16.10



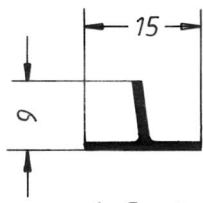
R 16.13



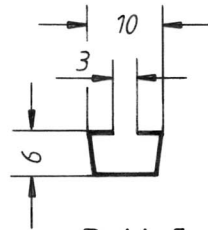
R 16.11



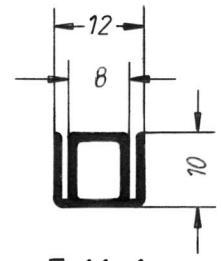
R 16.15



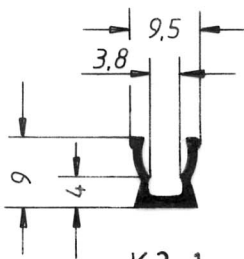
A 5.1



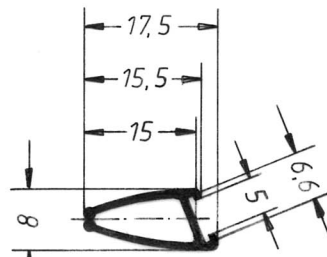
B 44.5



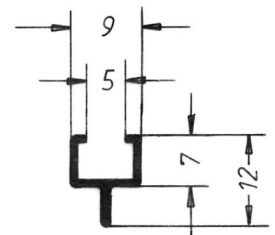
E 11.1



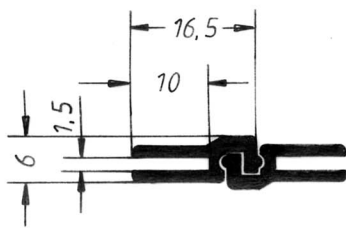
K 3.1



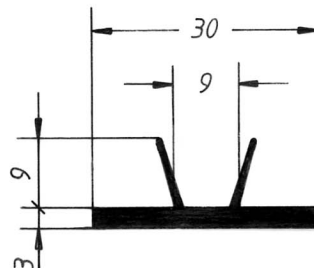
L 7.1



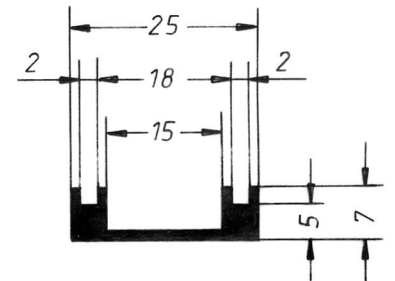
L 8.1



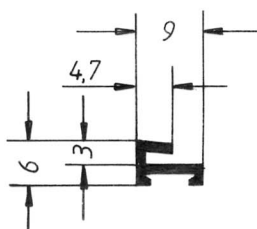
M 11.1



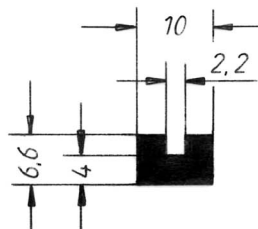
R 16.1



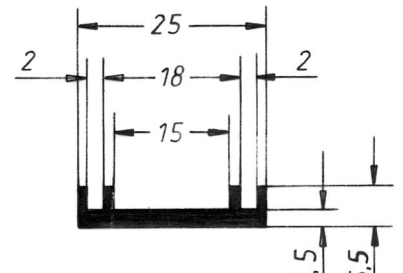
S1.A913



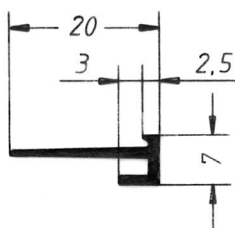
S1.A914



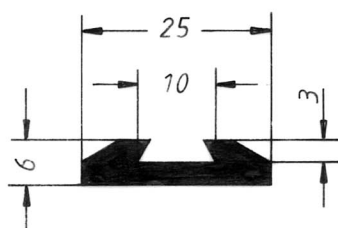
S1.2



S1.5

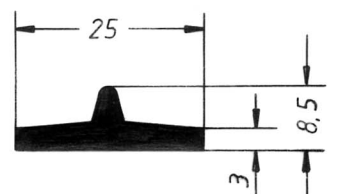


S1.9

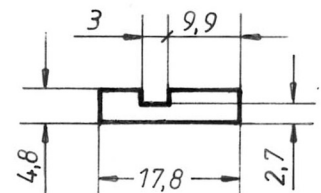
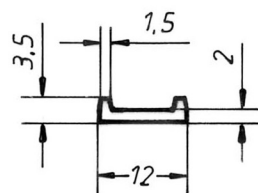
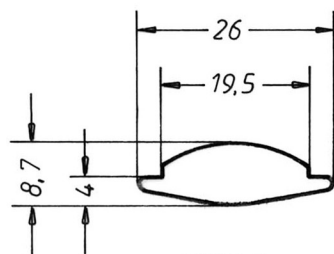
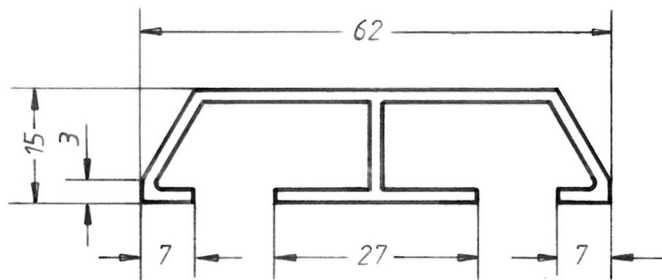
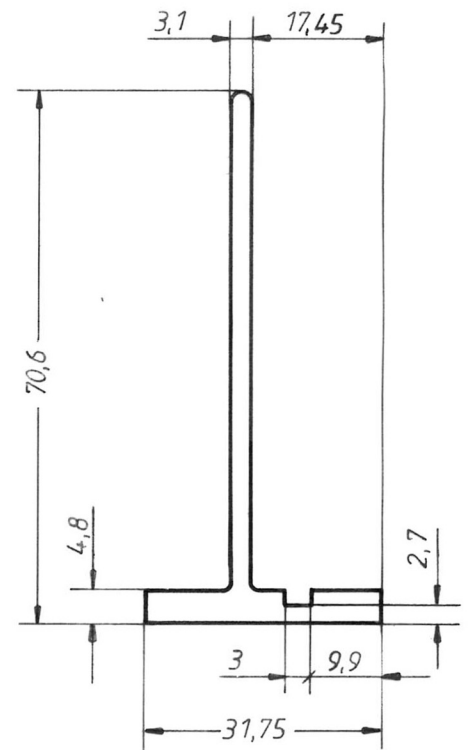
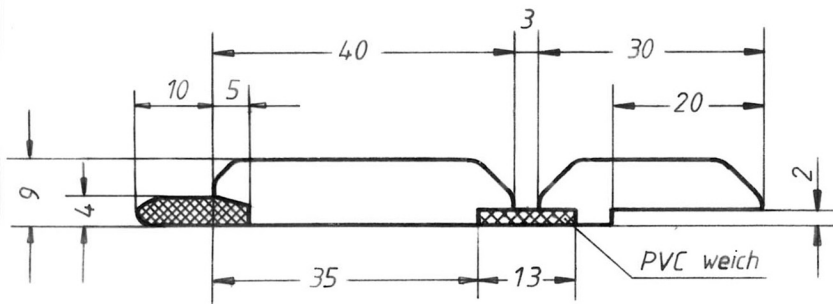
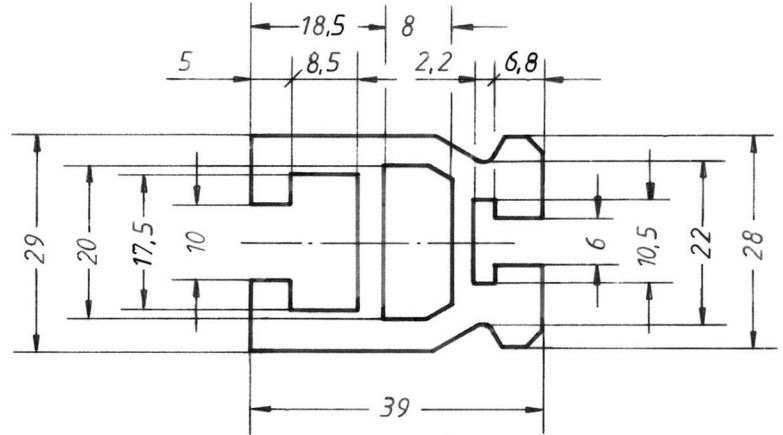
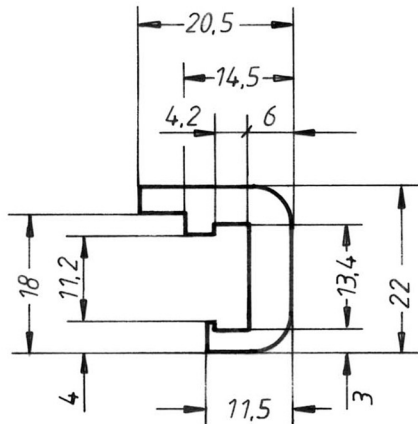


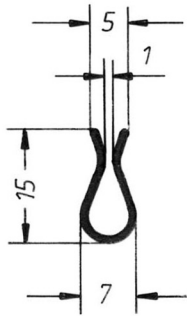
S1.12

passend zu S1.13

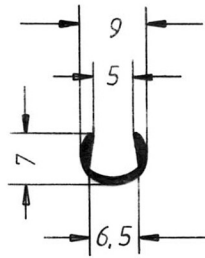


S1.14

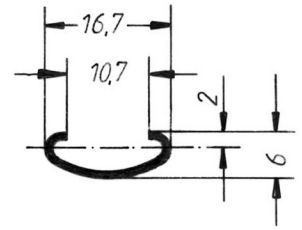




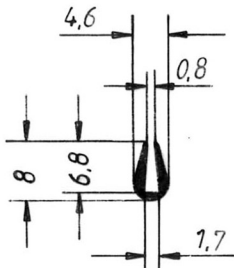
B 20.2



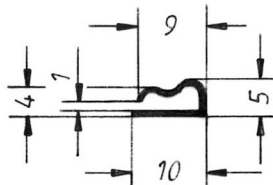
B 44.4



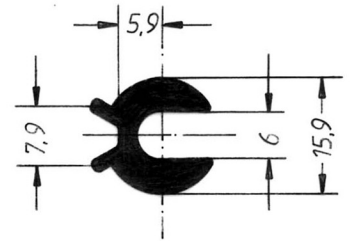
C 7.1



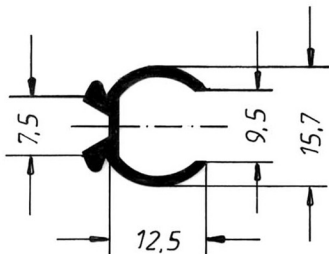
F 6



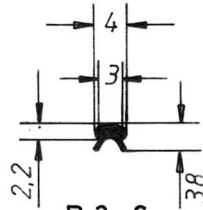
H 11.1



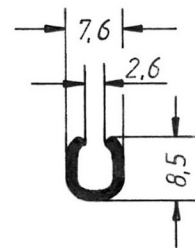
H 14.1



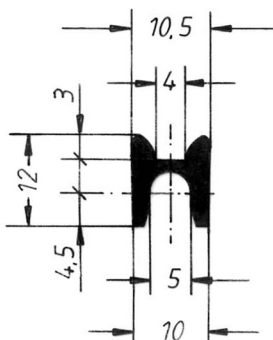
H 14.2



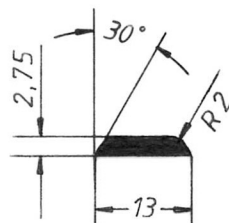
R 2.6



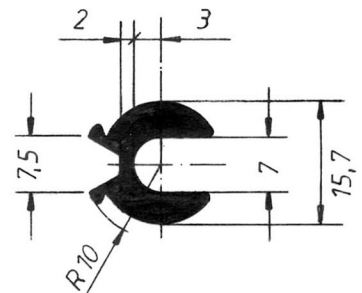
S 10.10



H 14.3

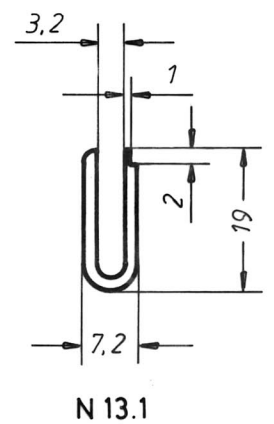
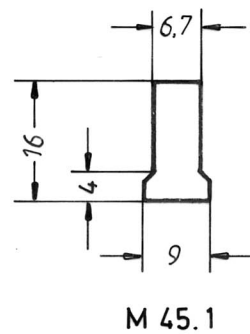
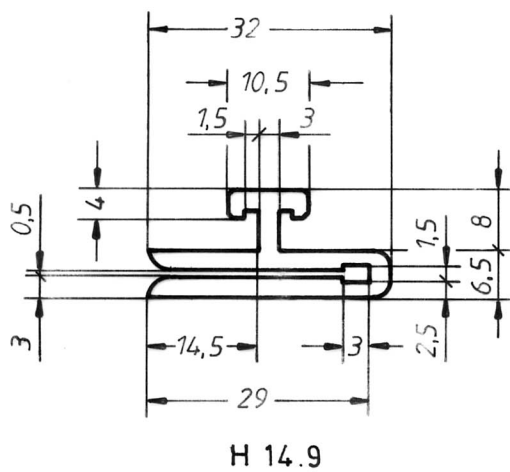
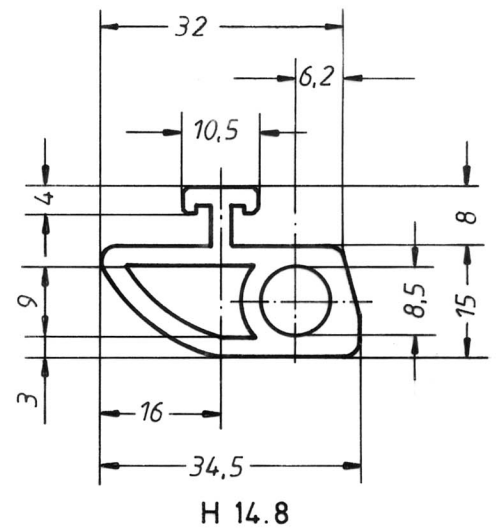
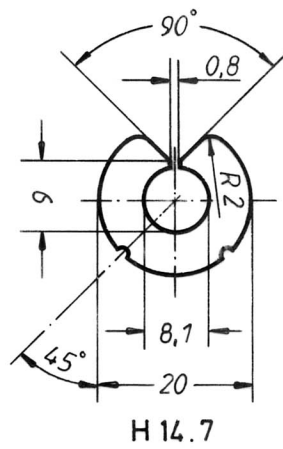
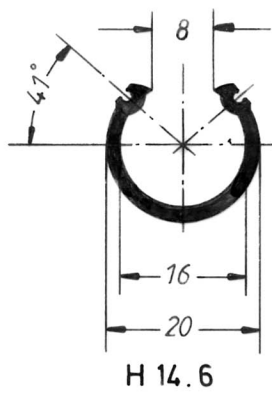
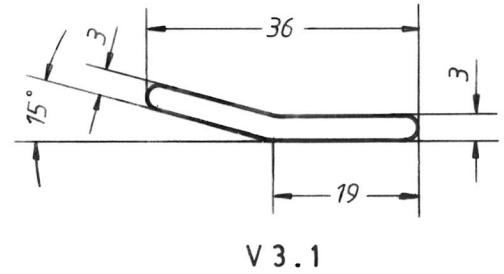
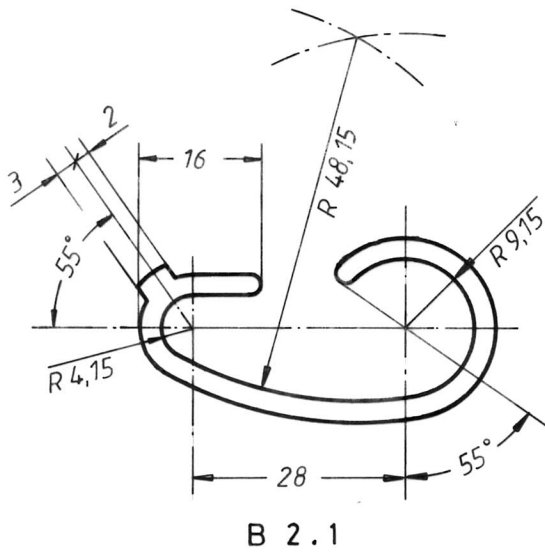


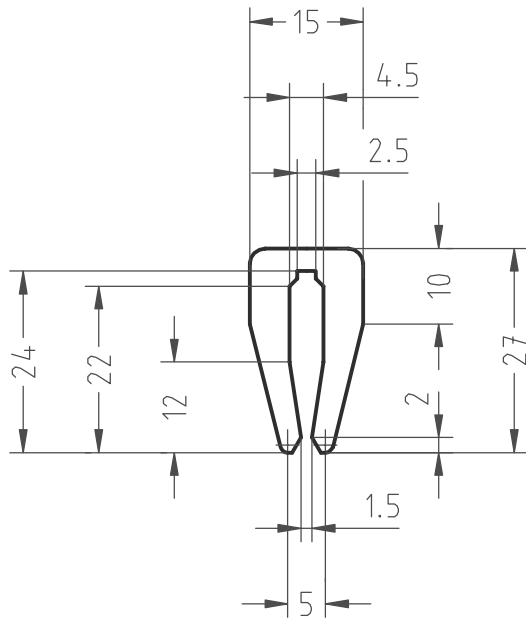
S 1.20



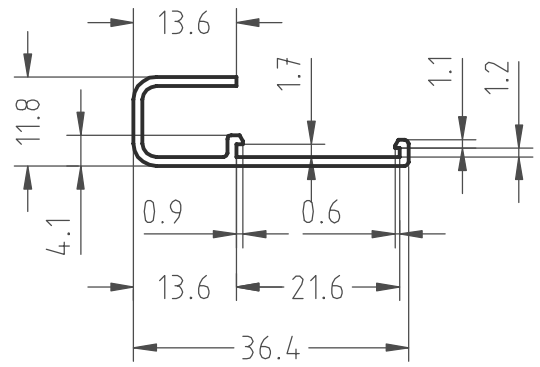
H 14.4



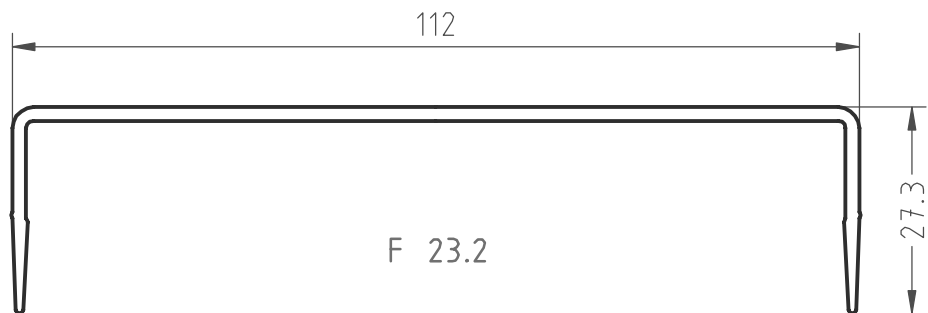




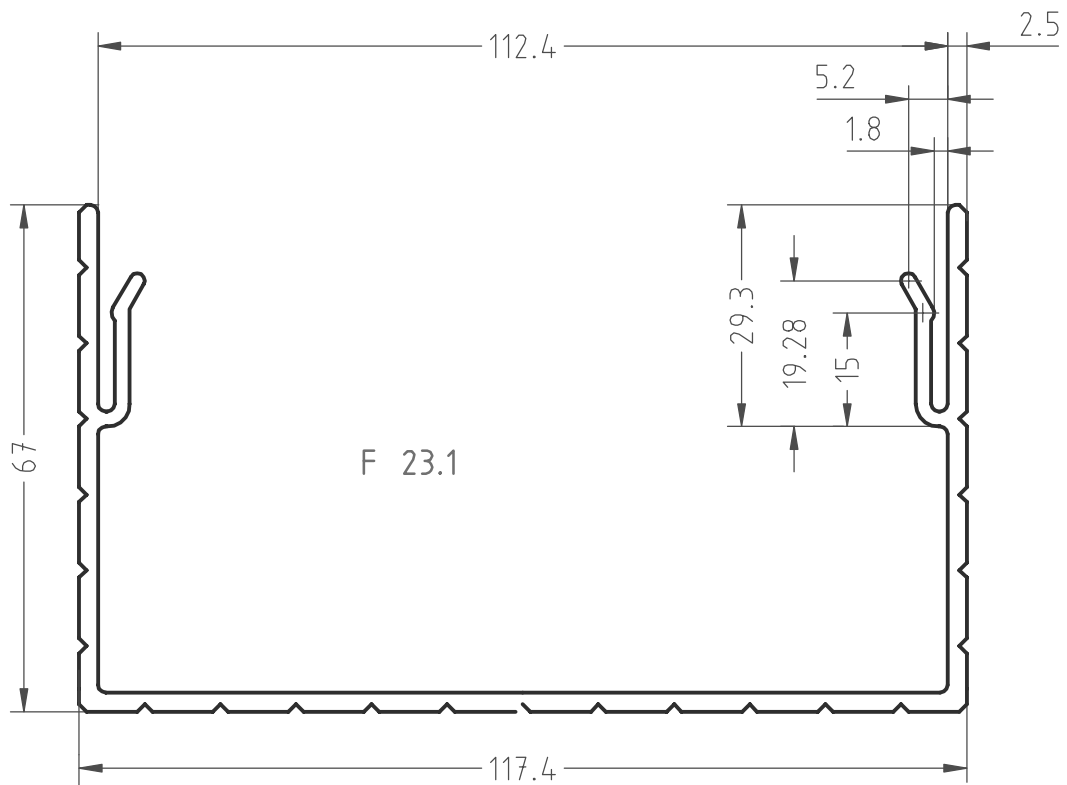
E 30.1



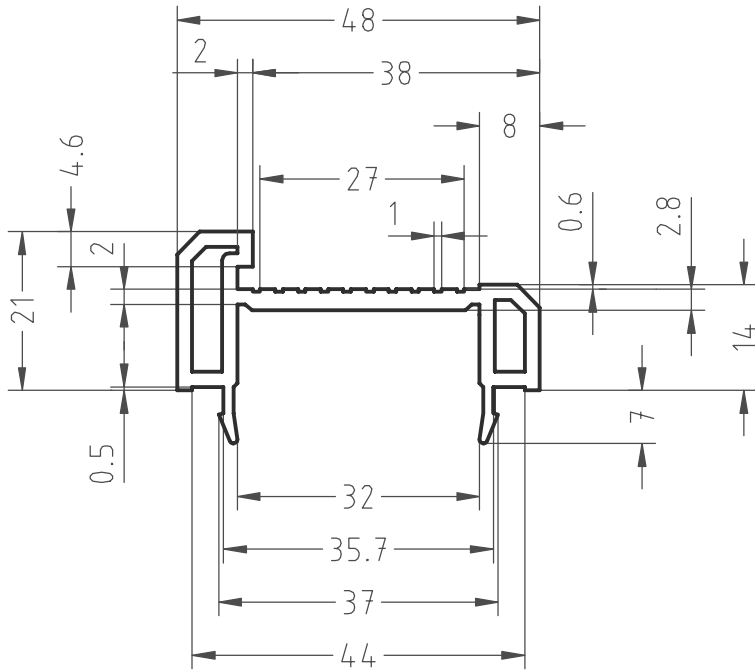
H 32.1



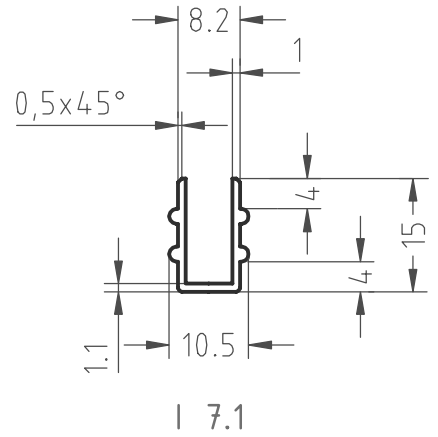
F 23.2



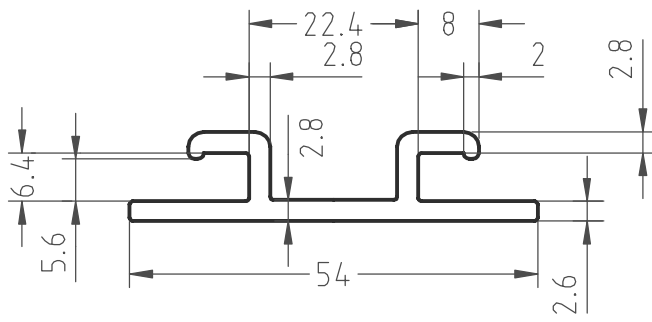
F 23.1



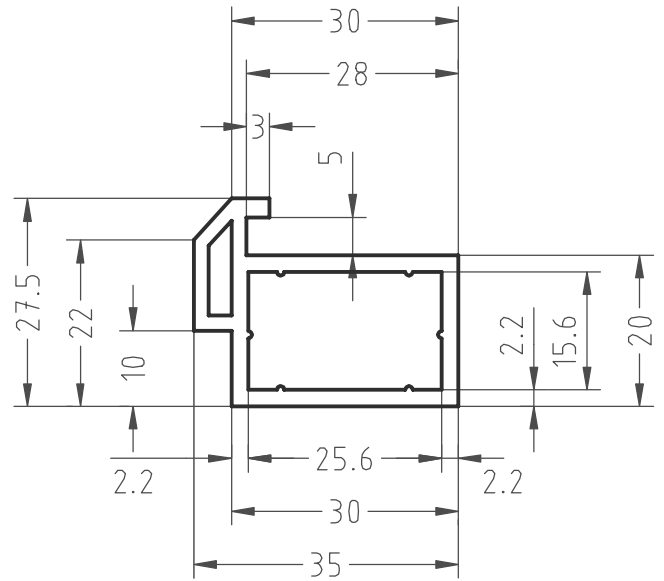
Sch 25.3



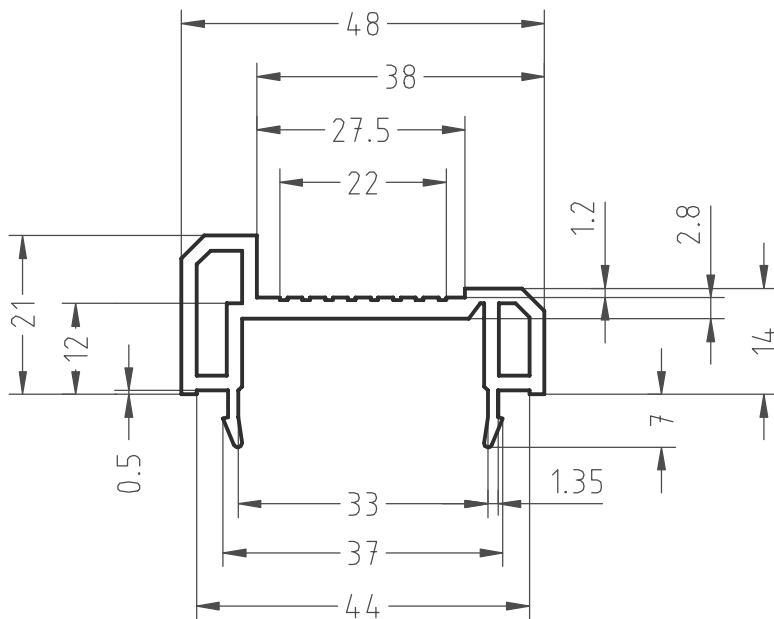
I 7.1



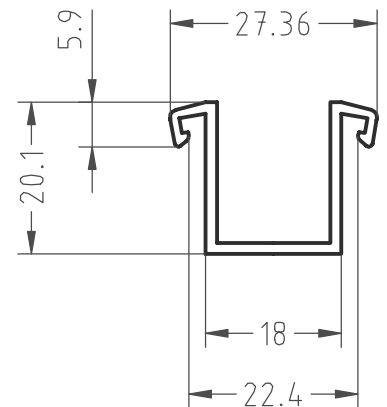
R 2.7



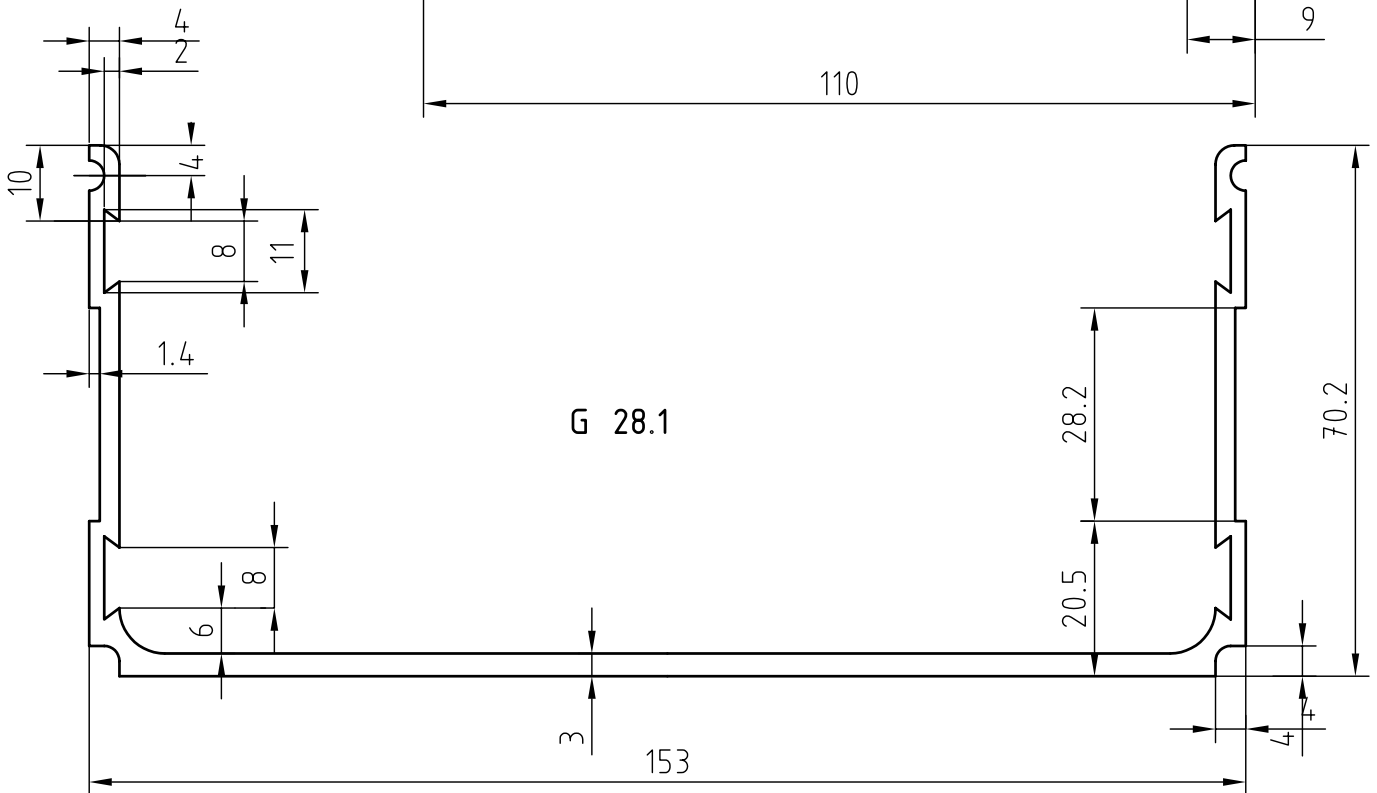
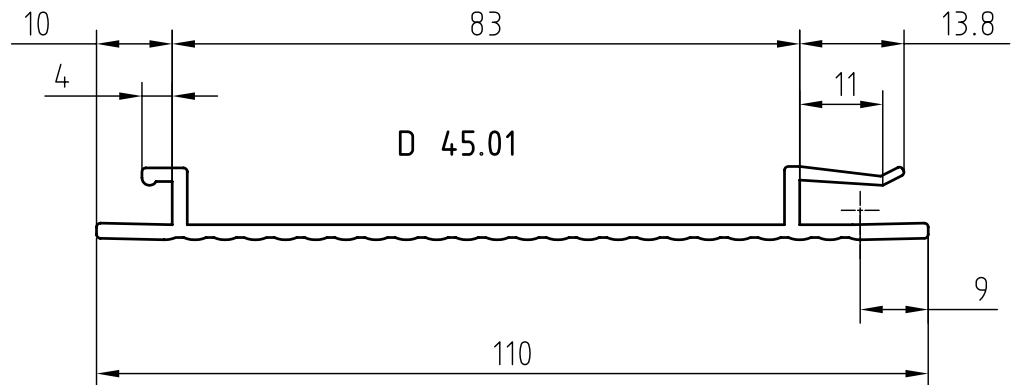
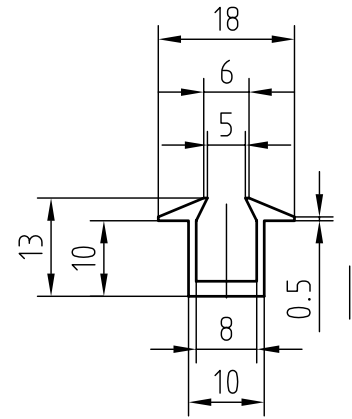
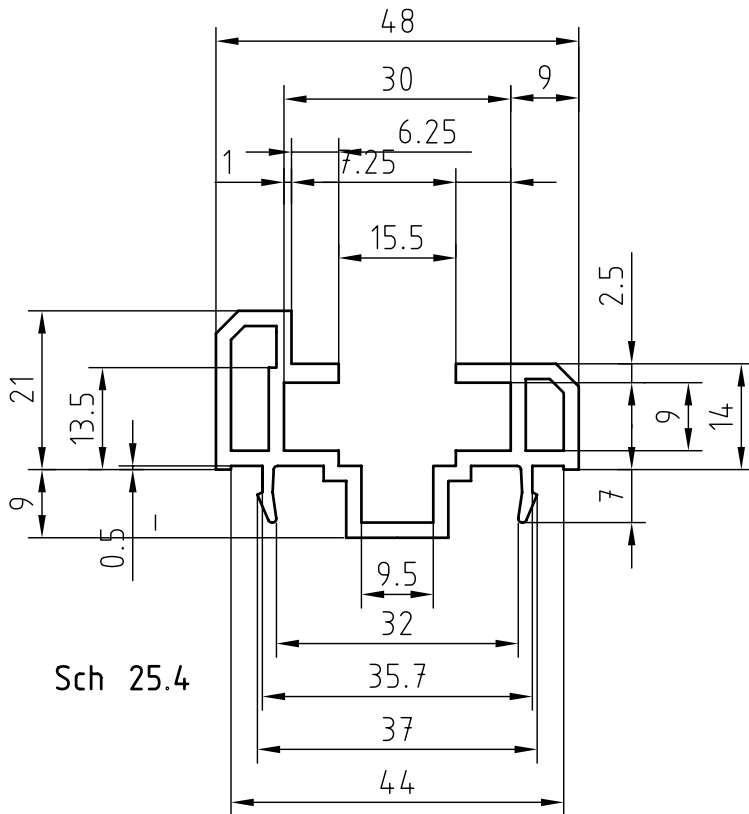
Sch 25.1

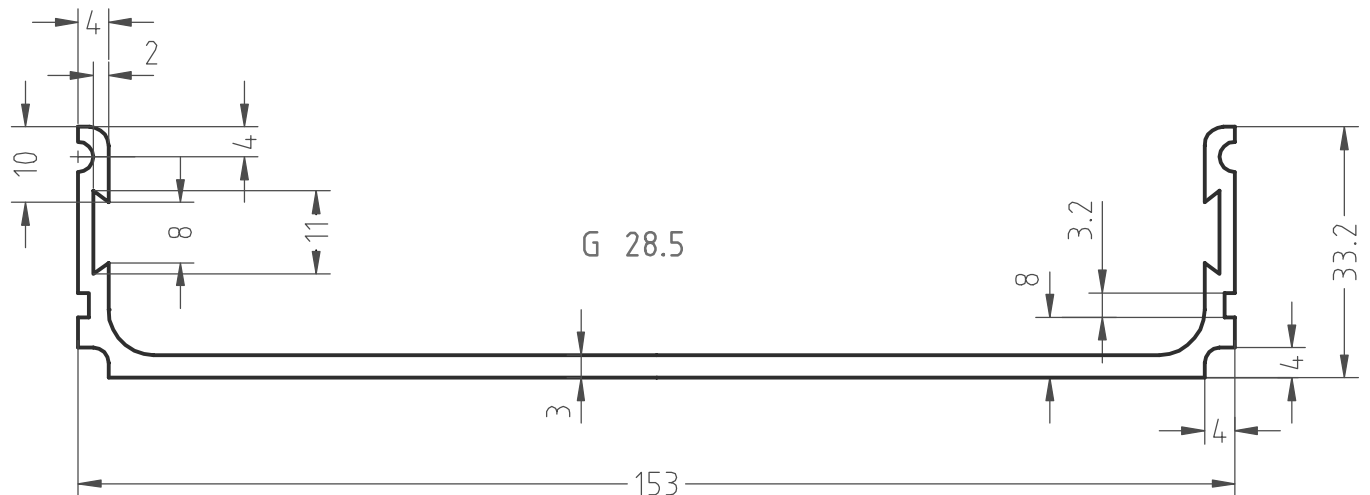
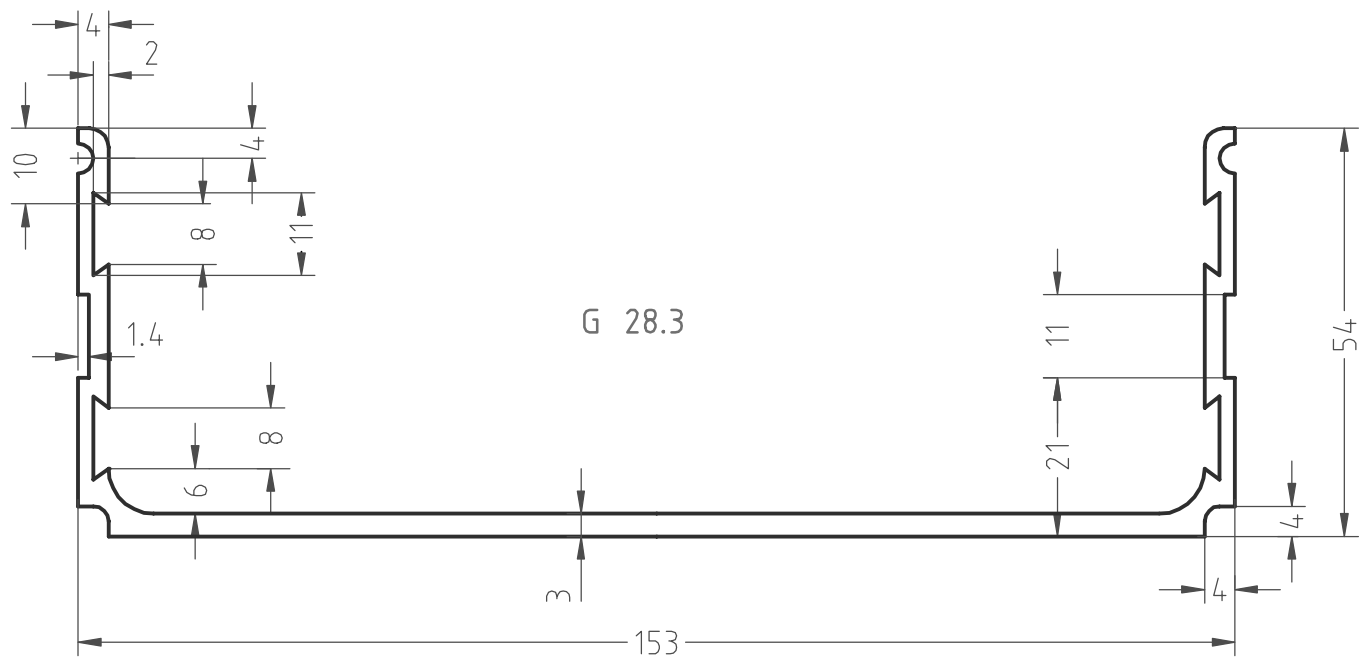
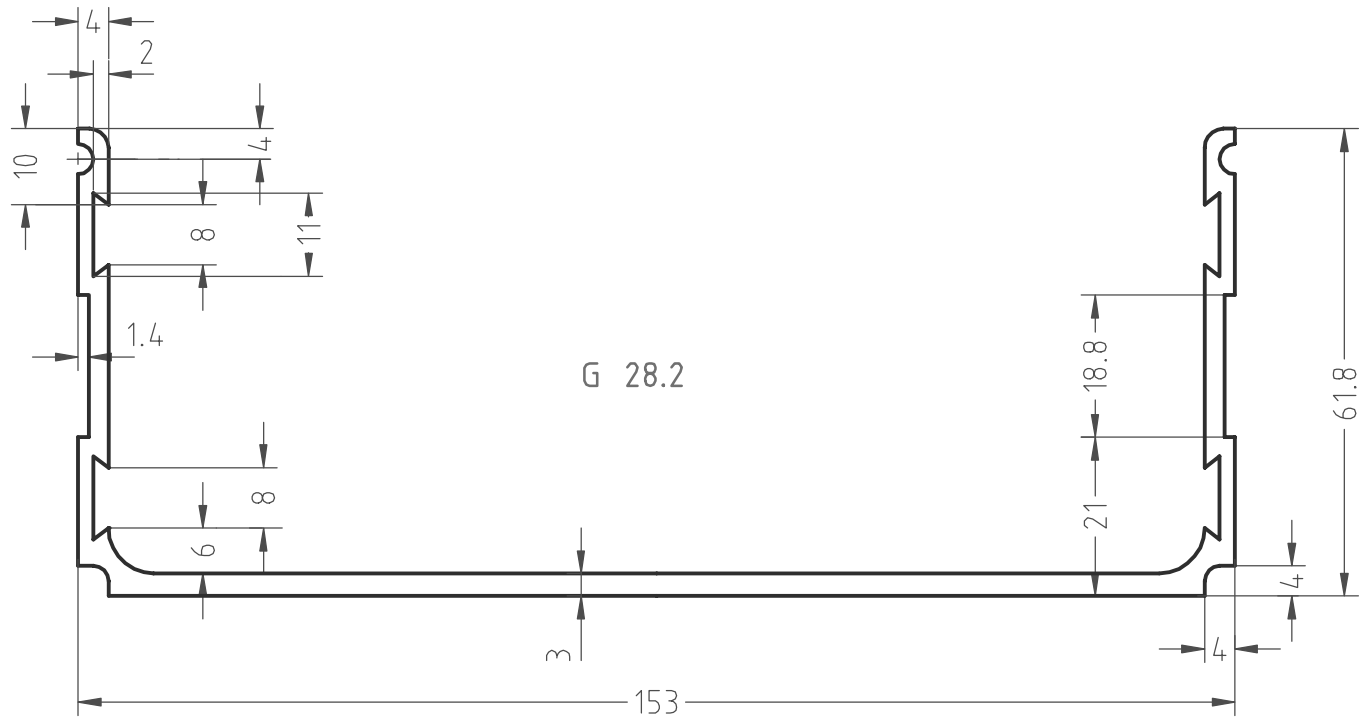


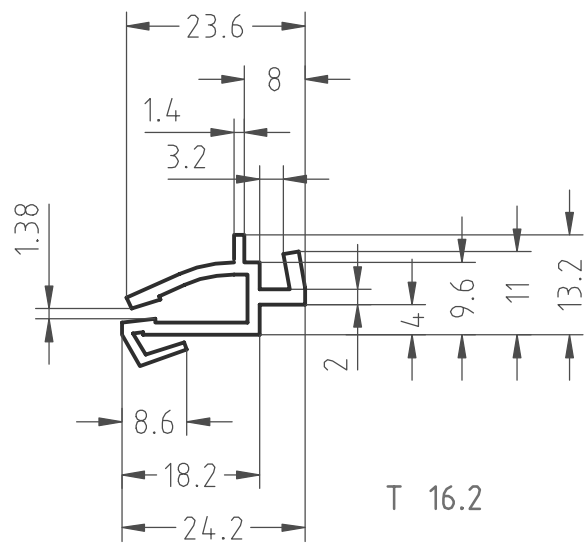
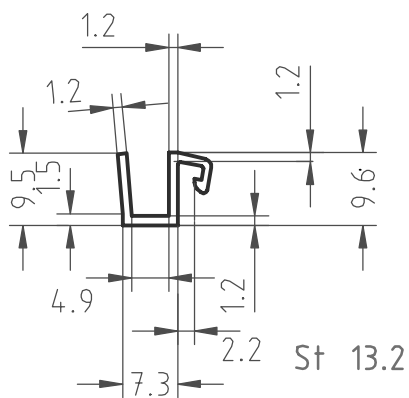
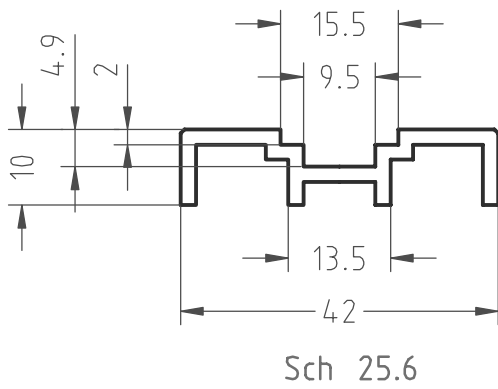
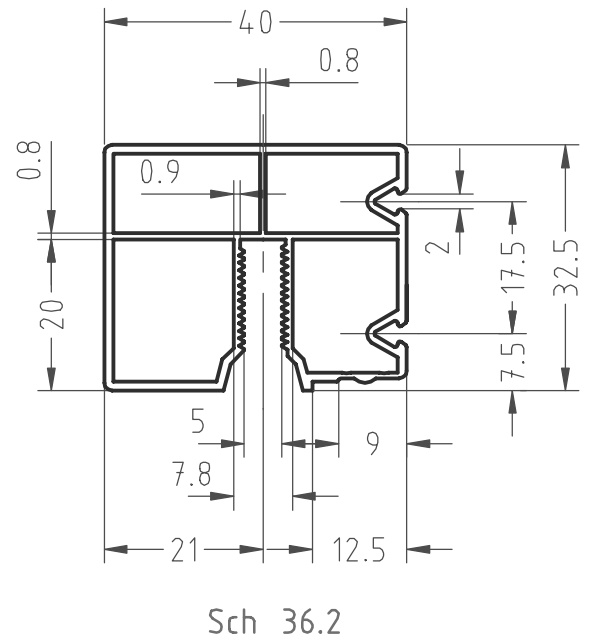
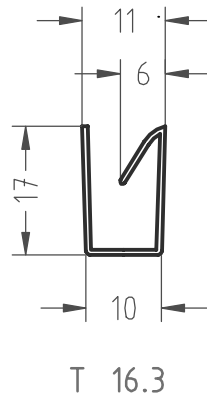
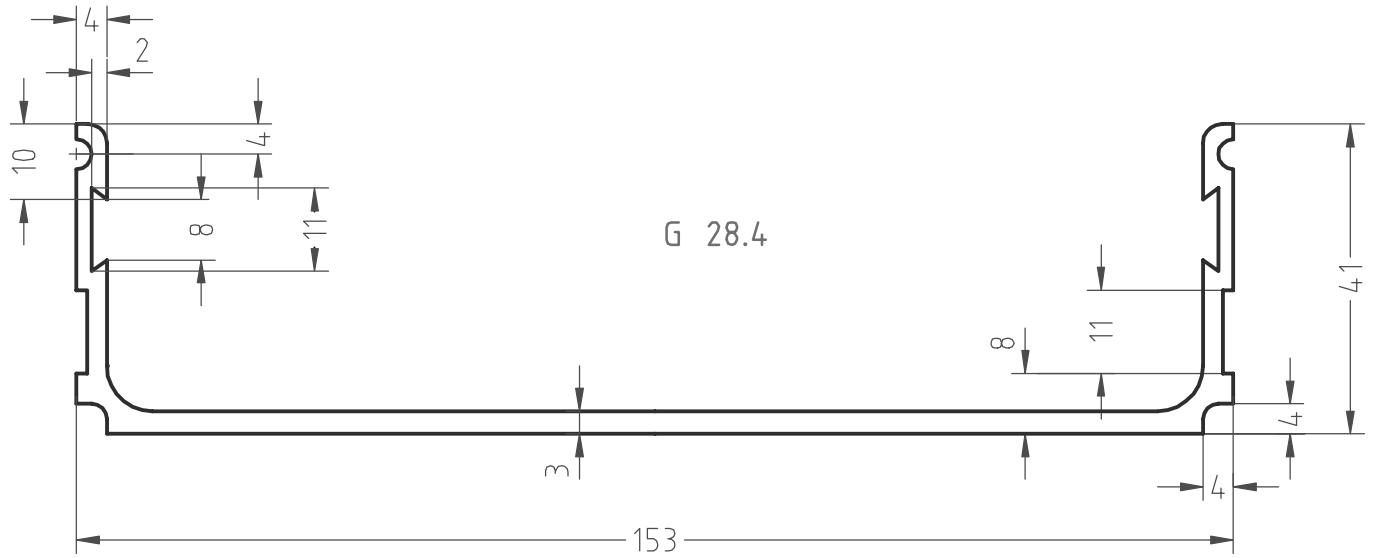
Sch 25.2

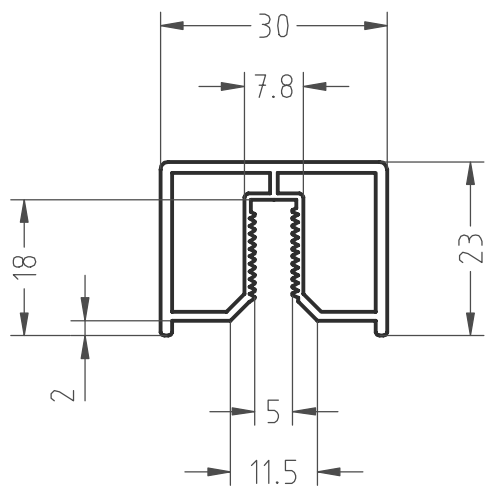


St 13.1

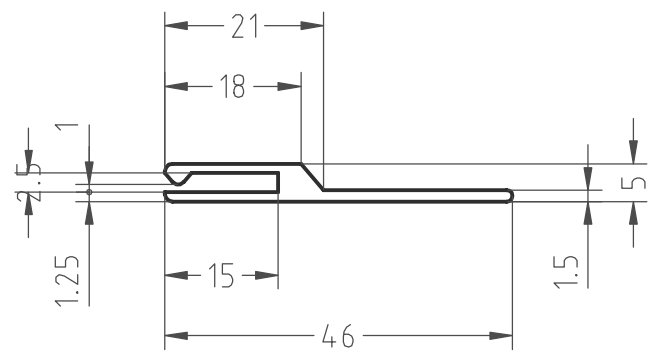




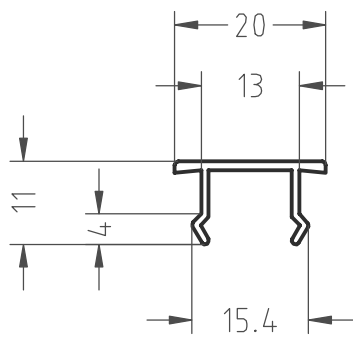




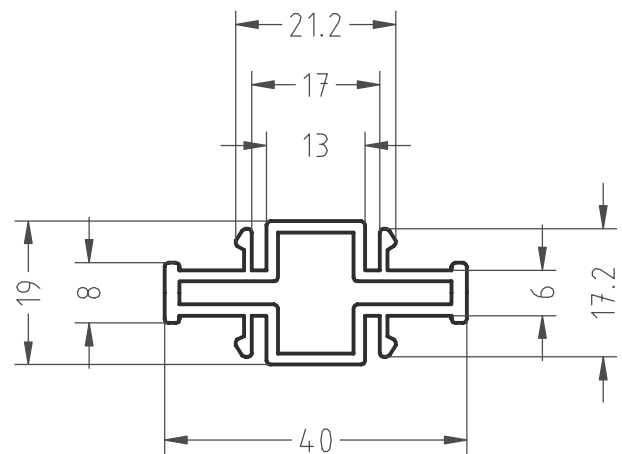
Sch 36.3



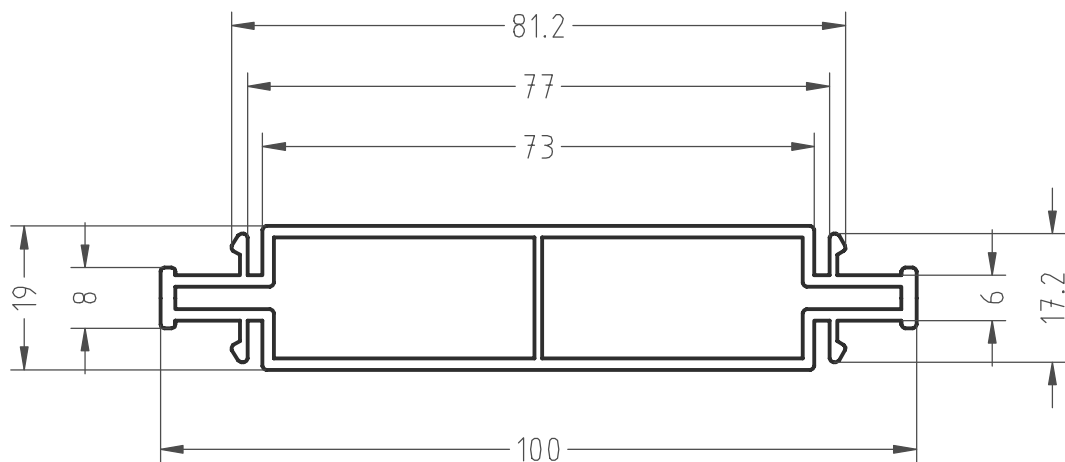
S 14.1



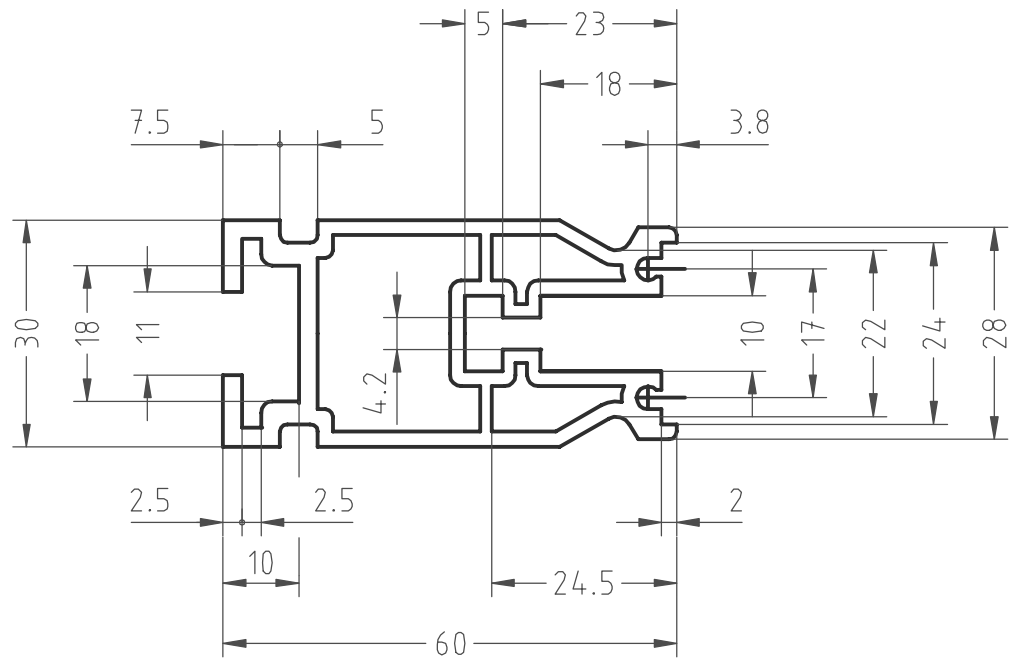
G 44.1



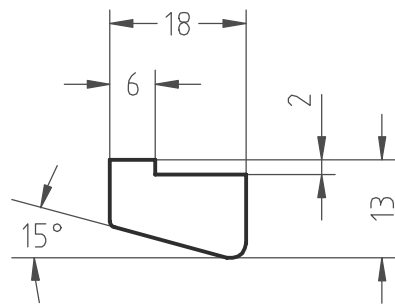
S 1.32



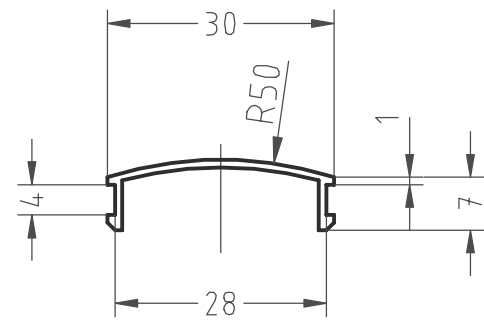
S 1.33



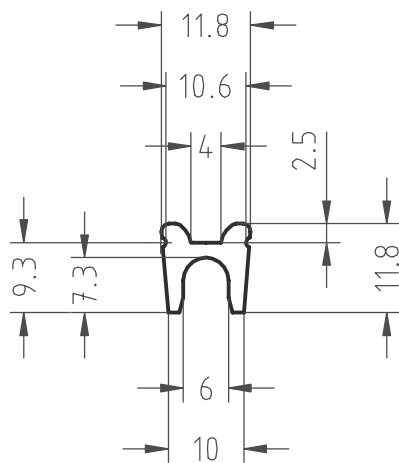
H 14.11



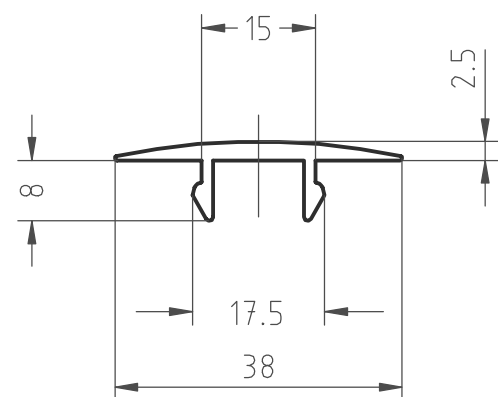
Sch 33.1



Sch 35.1

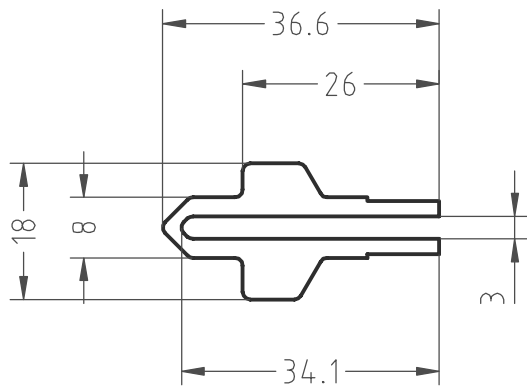


H 14.10

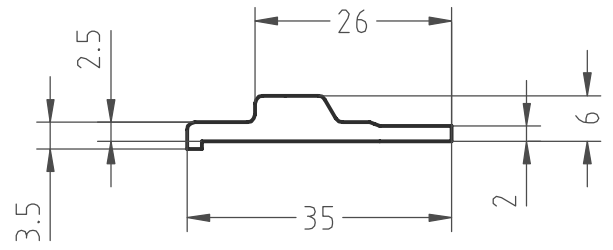


Sch 38.1

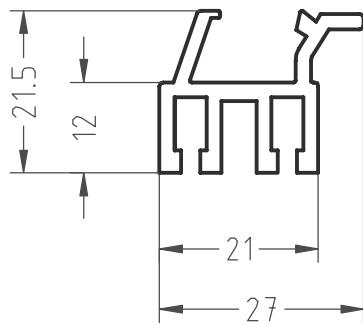




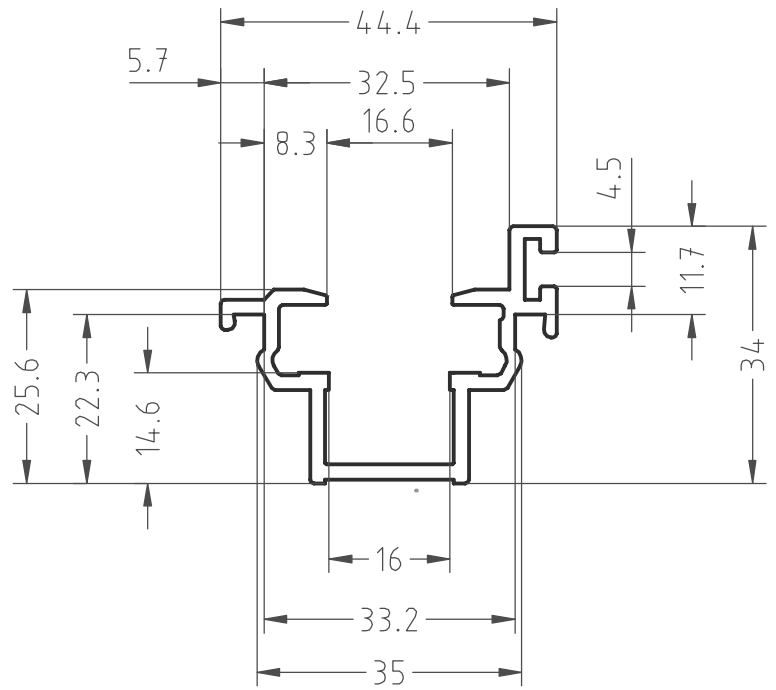
A 16.4



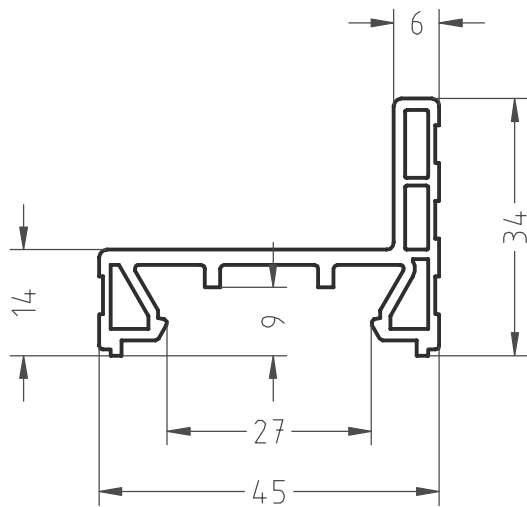
A 16.5



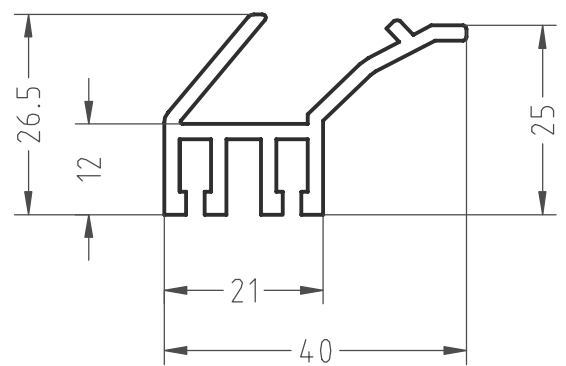
R 16.18



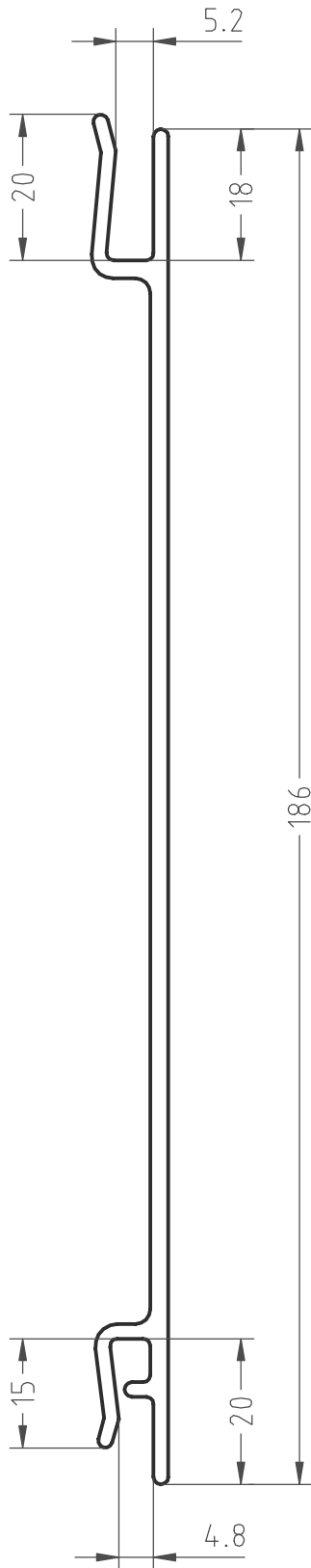
R 16.16



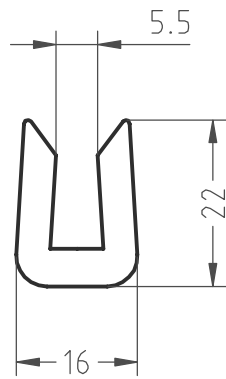
R 16.21



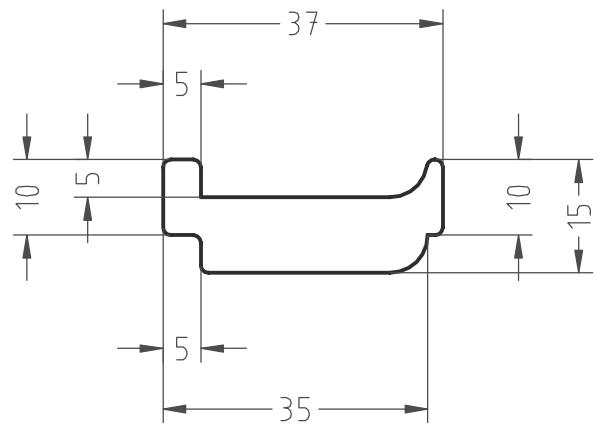
R 16.17



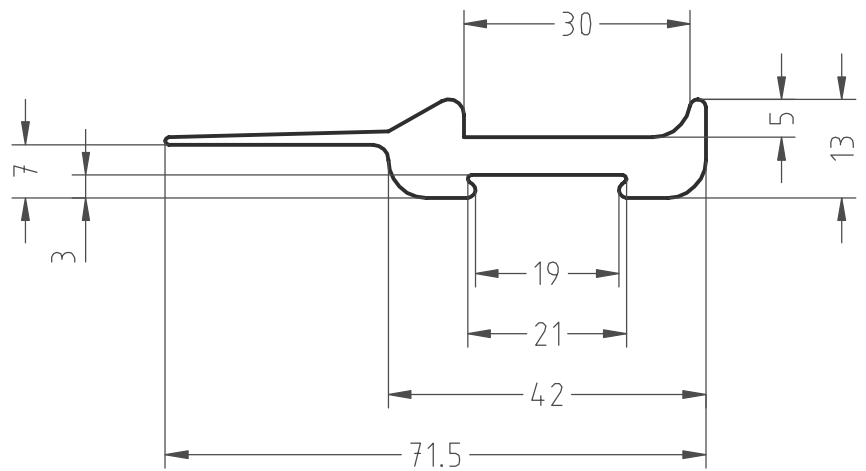
R 16.22



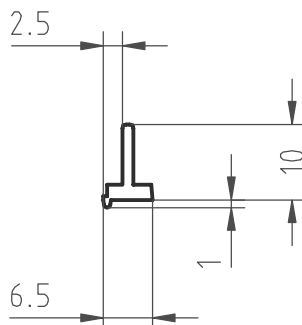
Sch 33.8



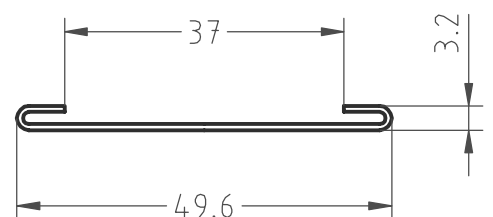
Sch 33.2



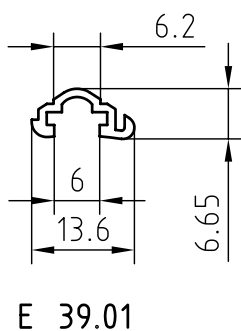
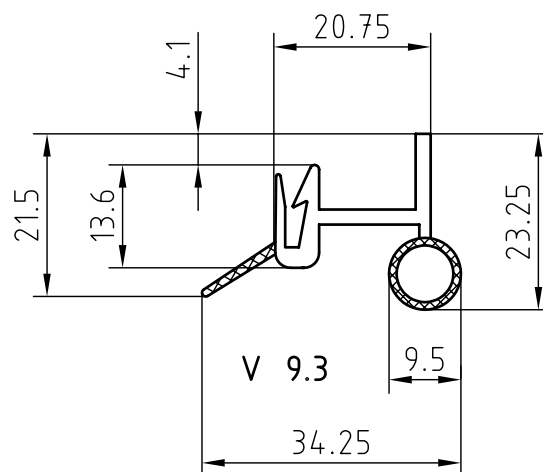
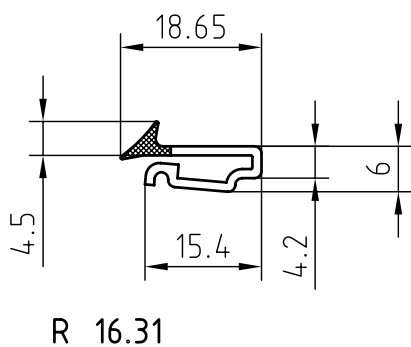
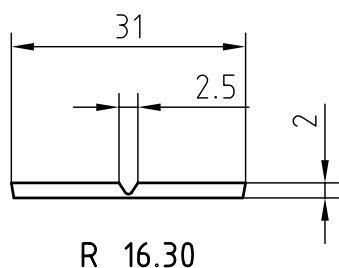
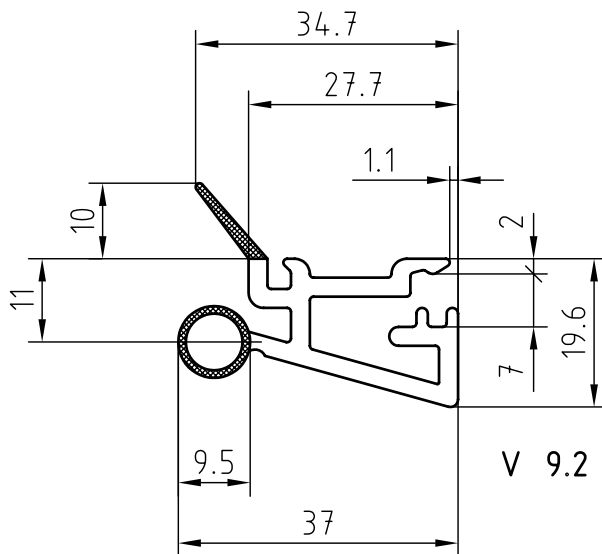
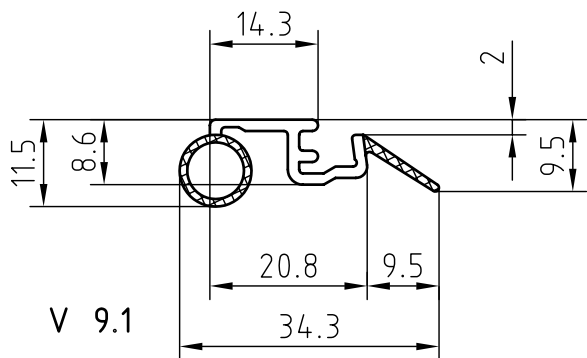
Sch 33.3

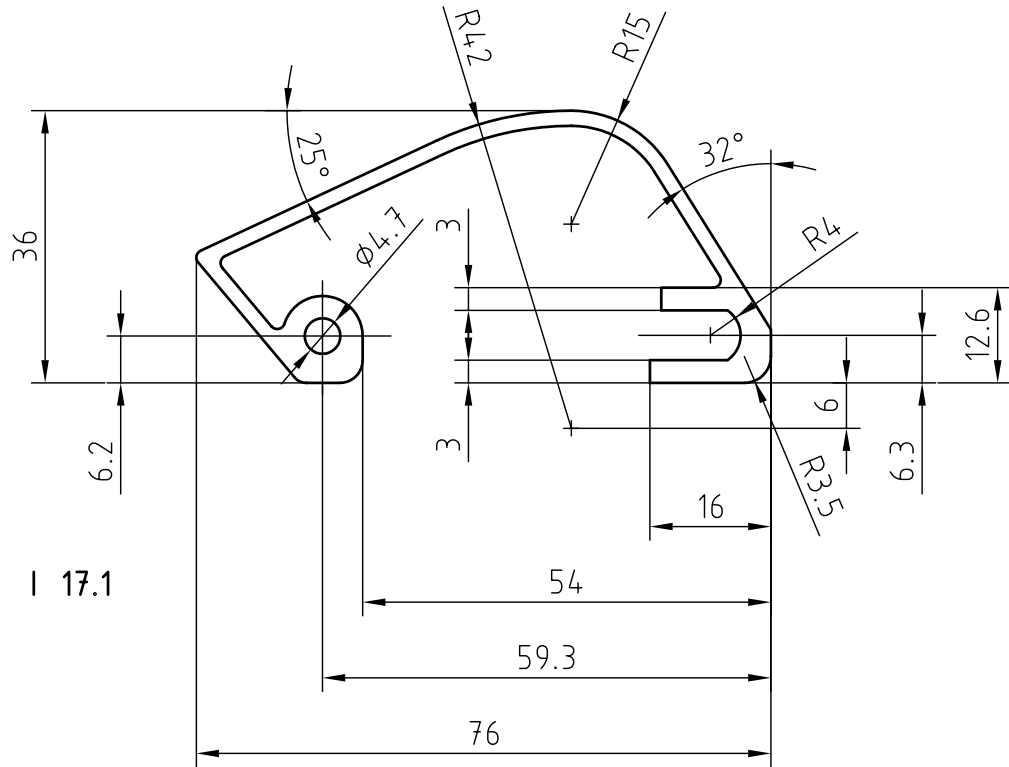


A 1.3

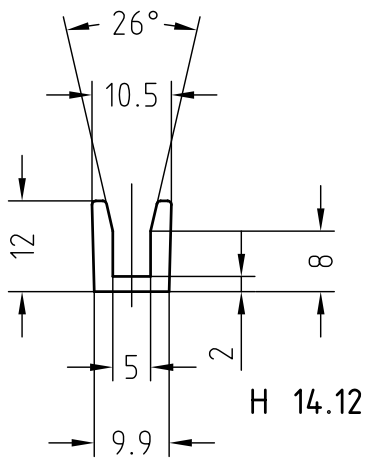


A 1.2

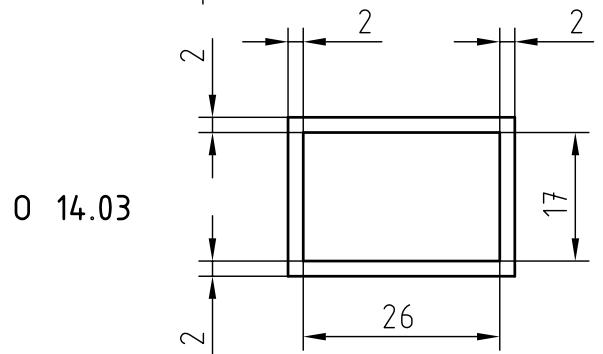




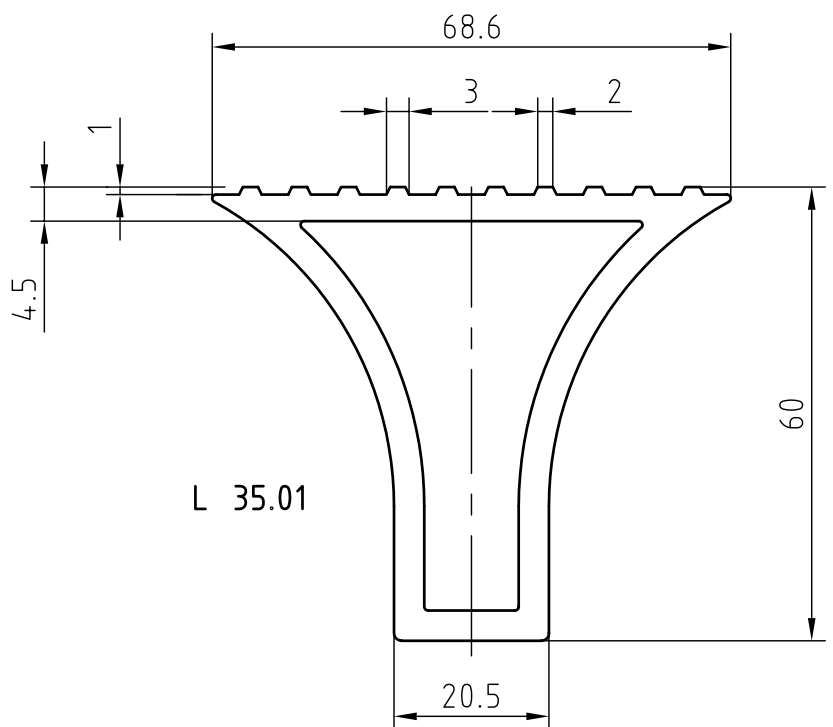
I 17.1



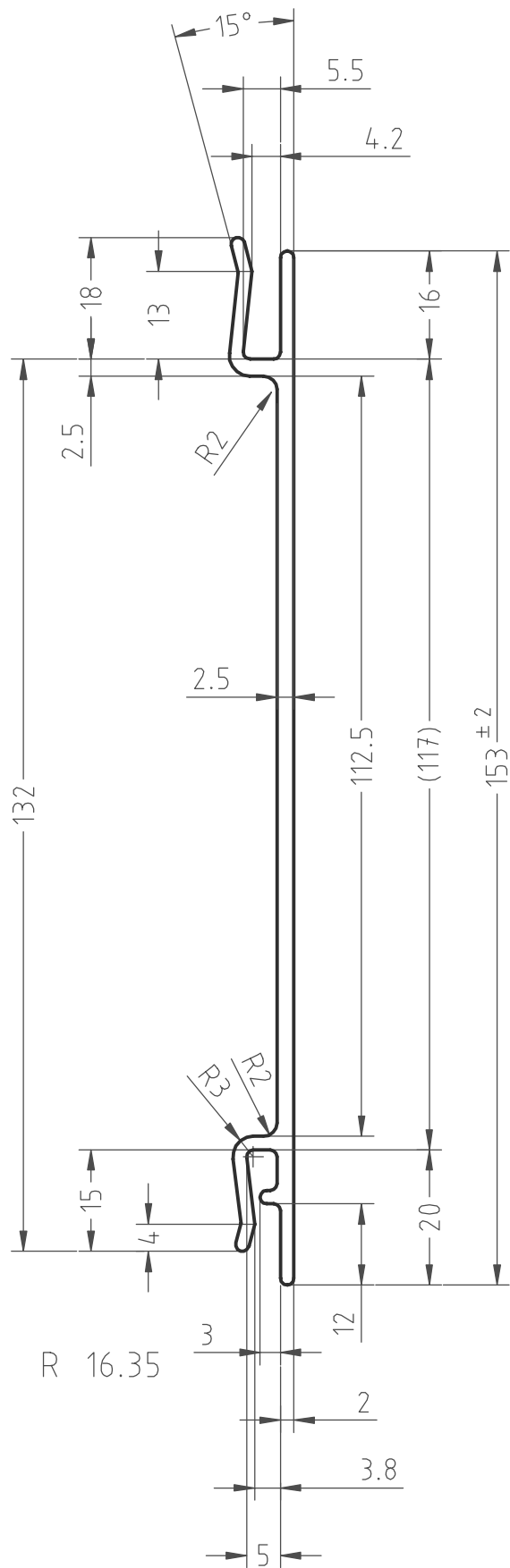
H 14.12

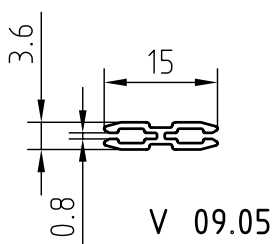
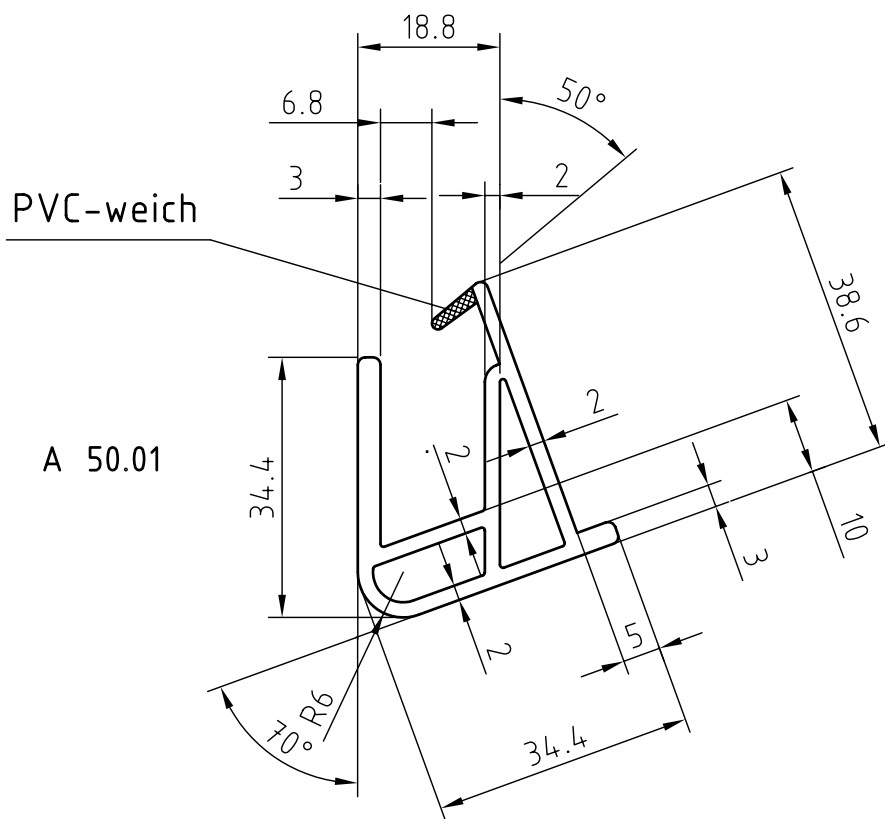
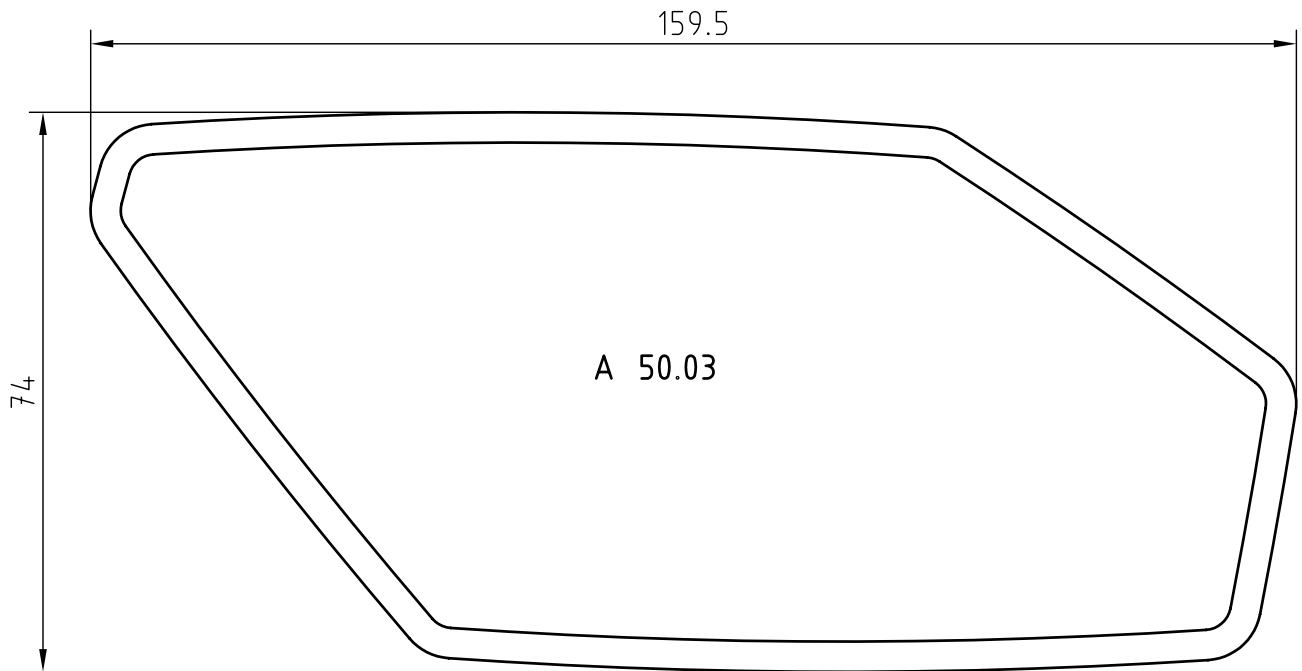


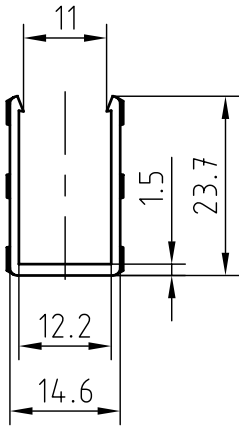
O 14.03



L 35.01







G 64.01