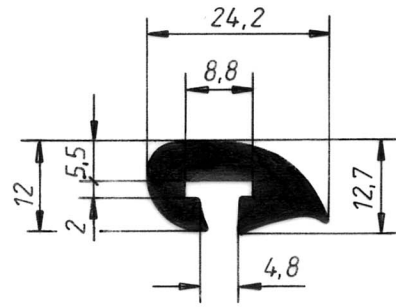
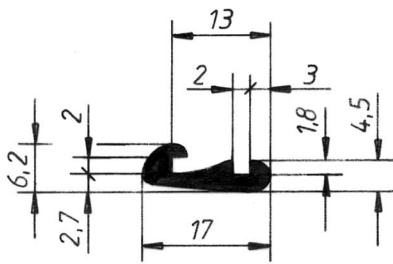


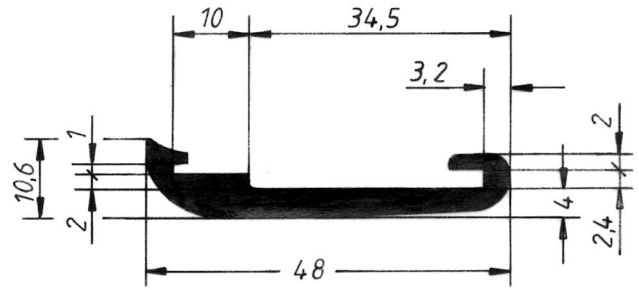
G 8.17



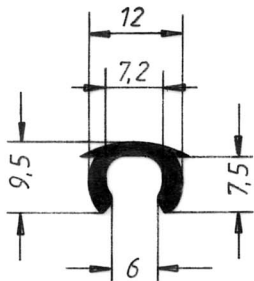
G 8.18



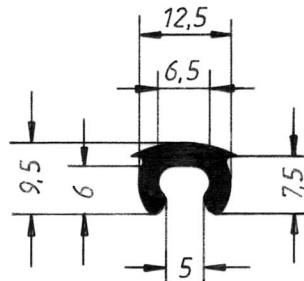
G 8.19



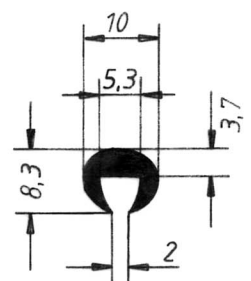
G 8.20



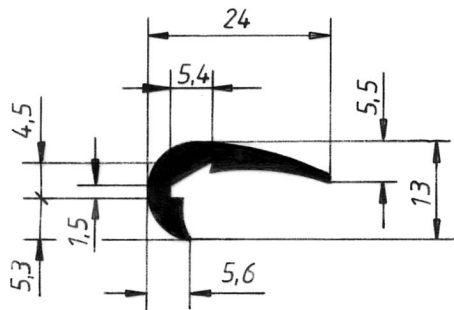
G 8.21



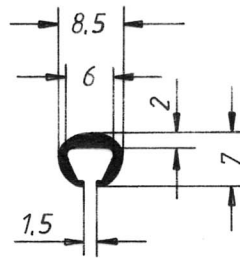
G 8.22



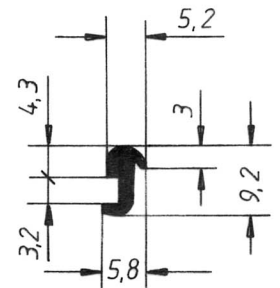
G 32.1



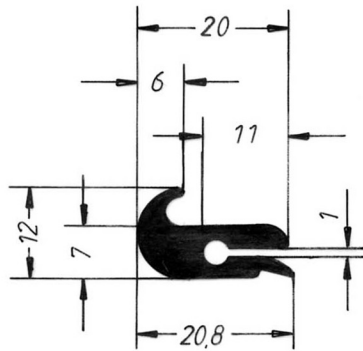
H 16.1



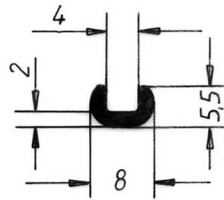
M 24.1



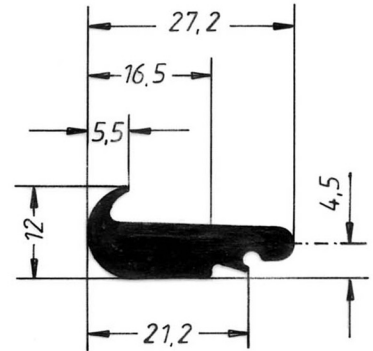
G 8.7



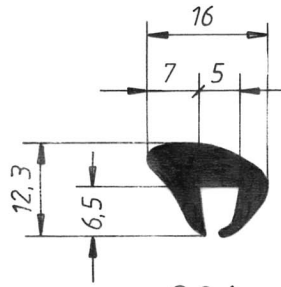
G 8.25



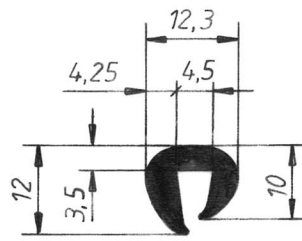
G 8.26



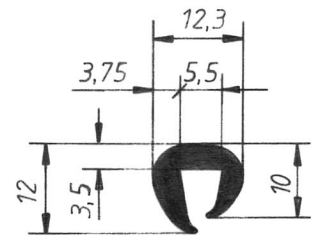
G 8.27



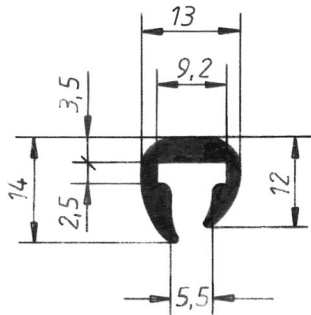
G 8.1



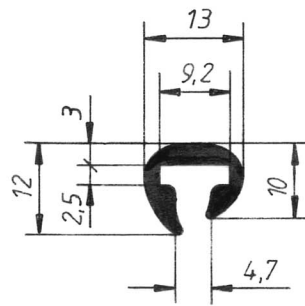
G 8.3



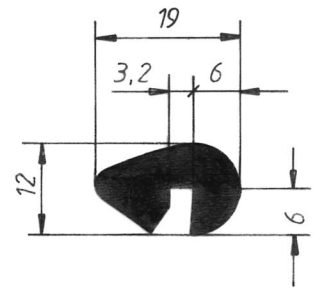
G 8.8



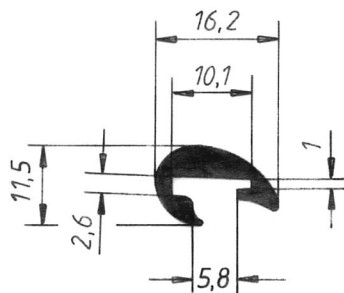
G 8.9



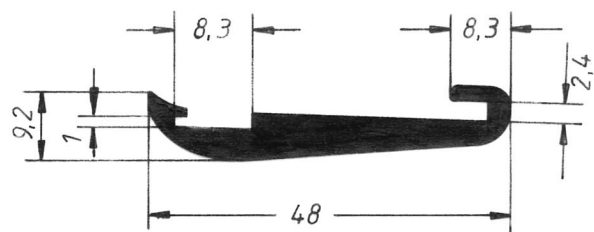
G 8.10



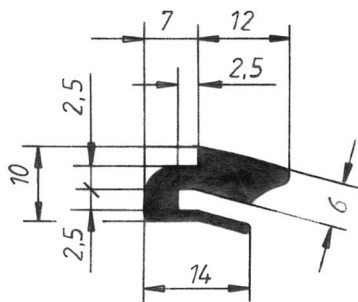
G 8.11



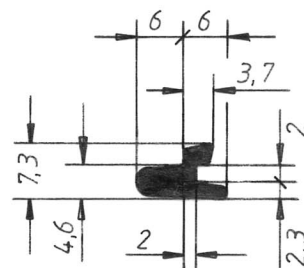
G 8.12



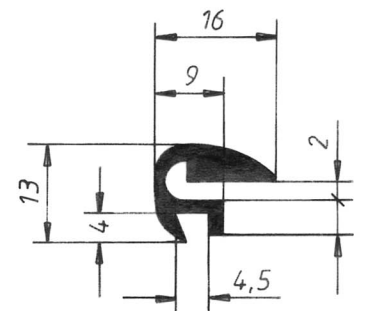
G 8.13



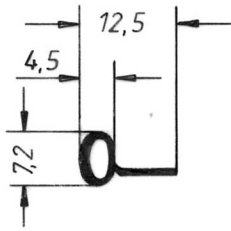
G 8.14



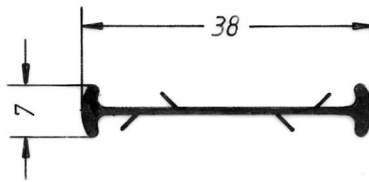
G 8.15



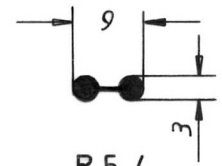
G 8.16



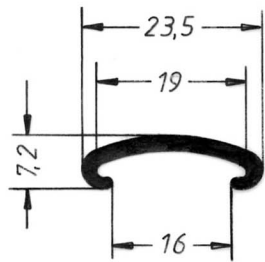
R 5.2



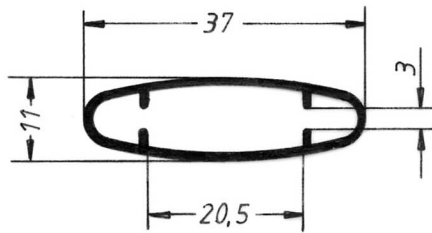
R 5.3



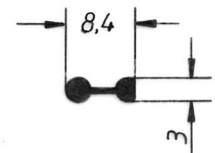
R 5.4



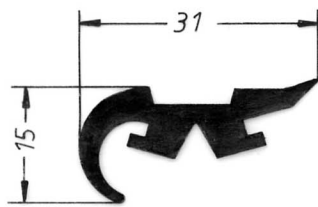
R 5.9



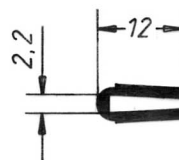
R 14.3



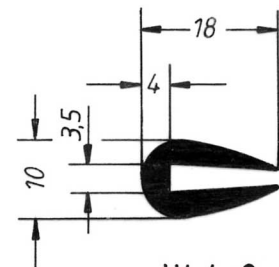
R 5.8



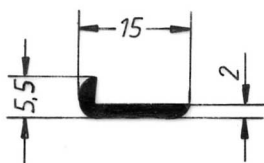
S 10.6



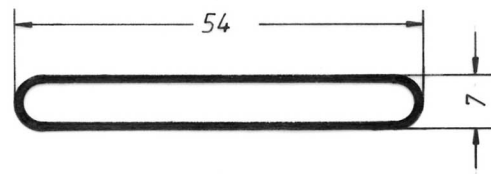
R 14.1



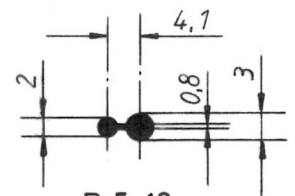
W 4.2



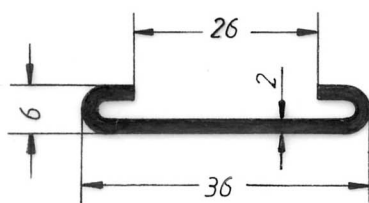
W 4.1



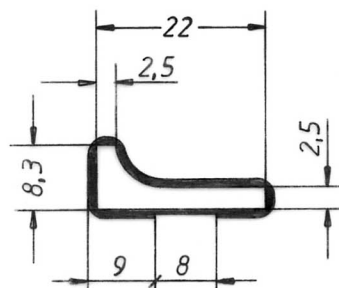
R 14.2



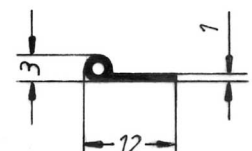
R 5.10



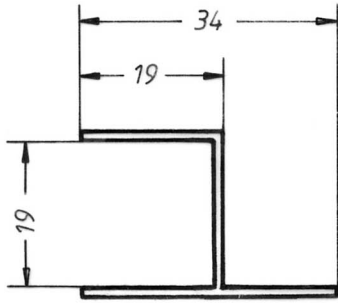
R 5.1



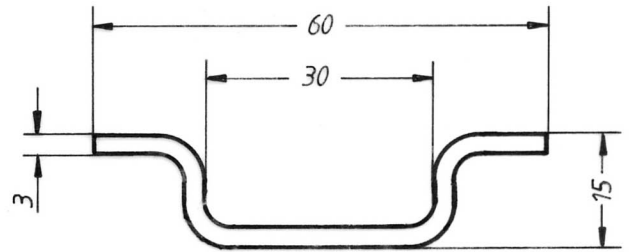
R 14.5



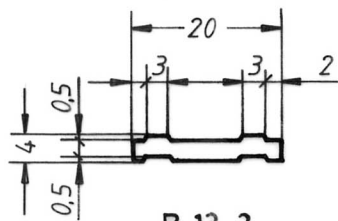
R 5.11



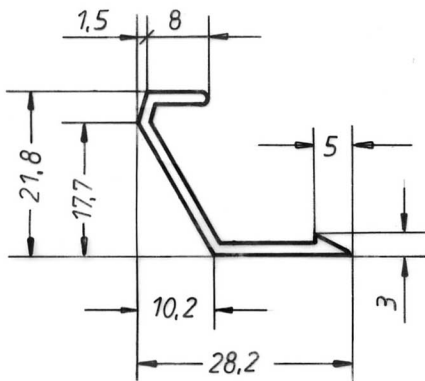
D 10.1



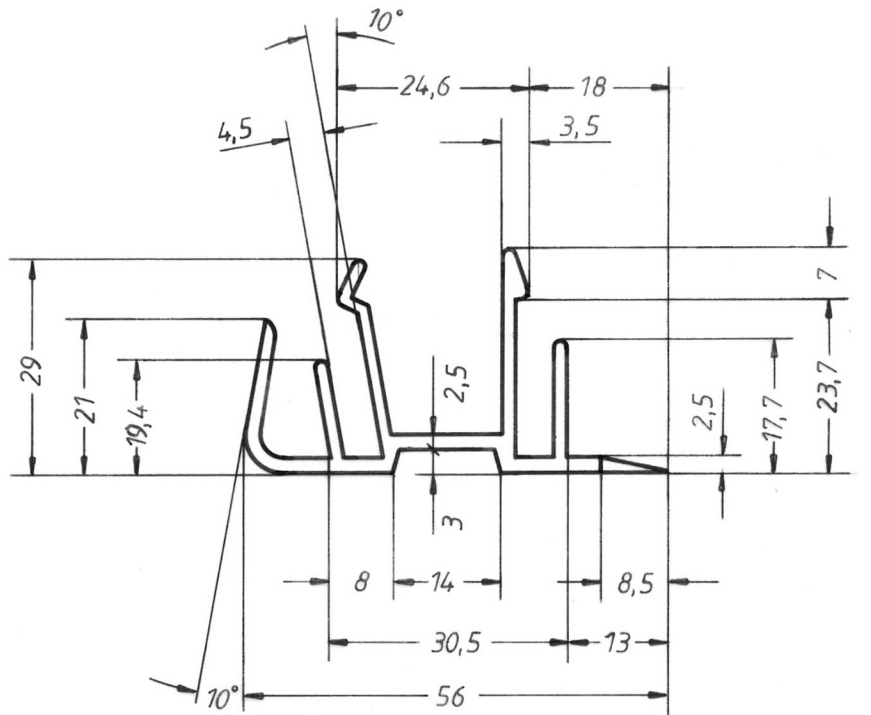
W 2.1



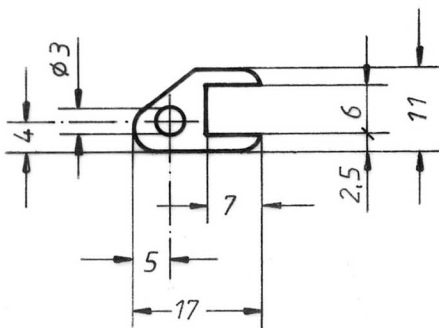
R 13.2



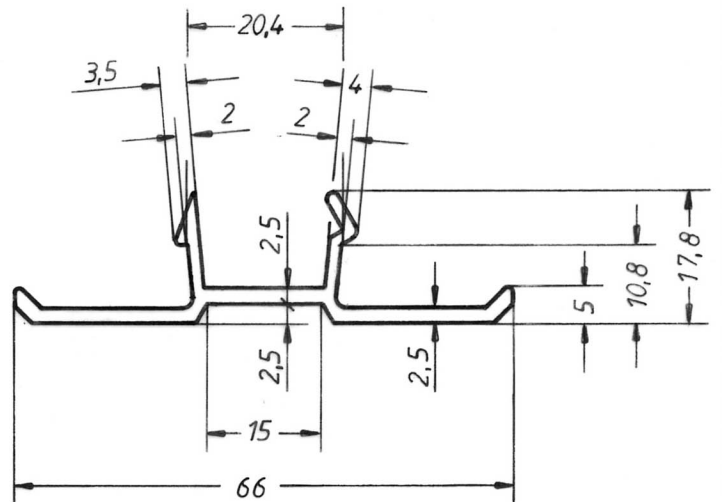
S 10.11



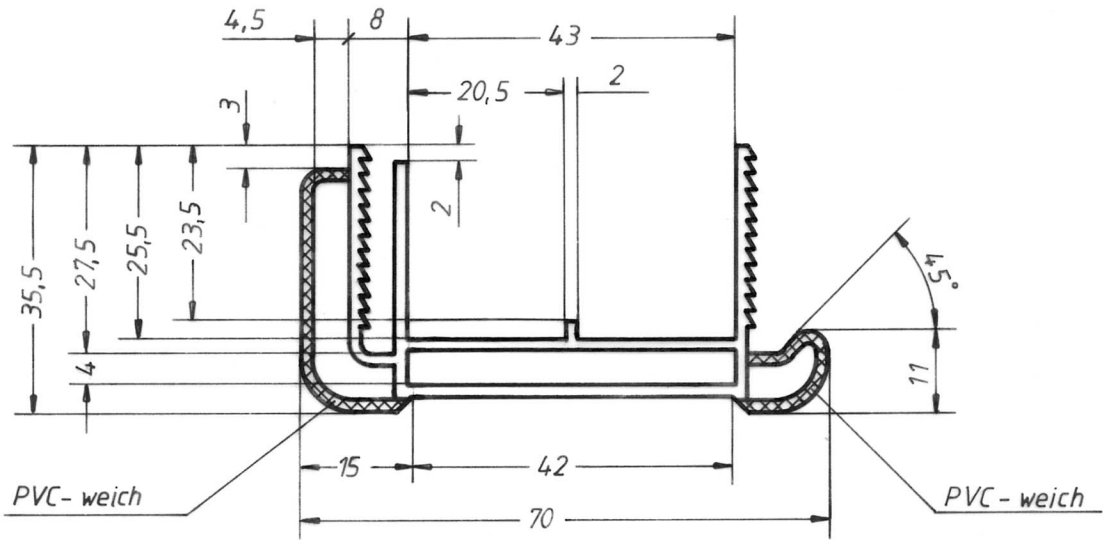
S 10.13



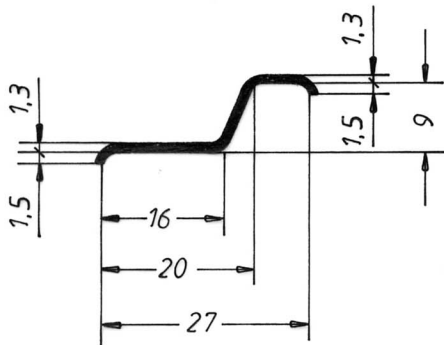
D 3.1



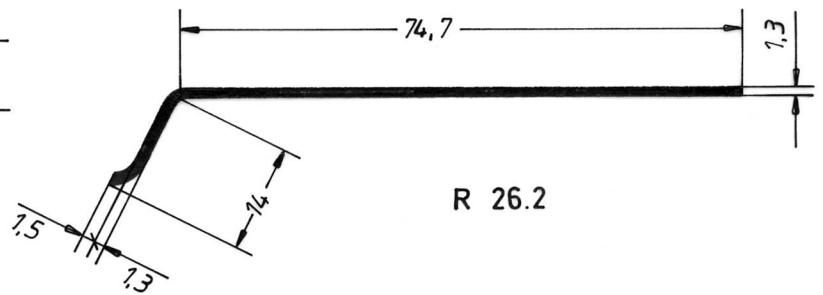
S 10.14



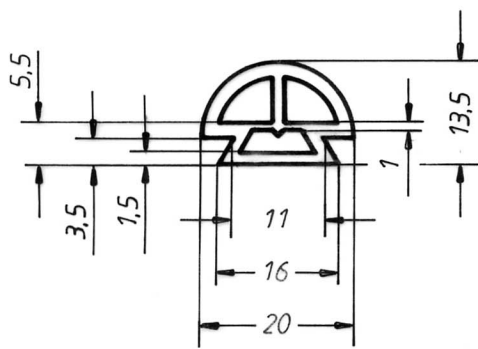
S 10.15



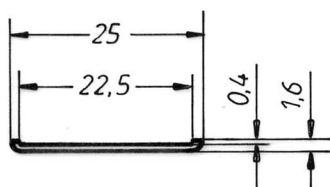
R 26.1



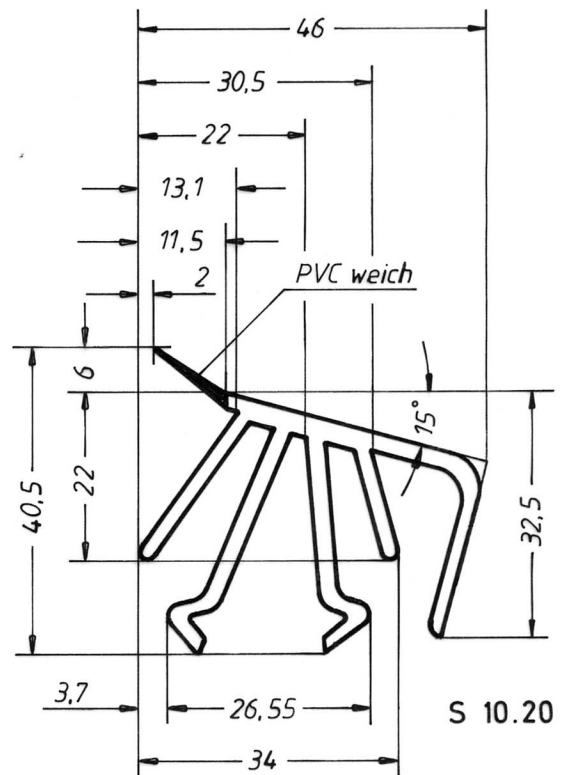
R 26.2



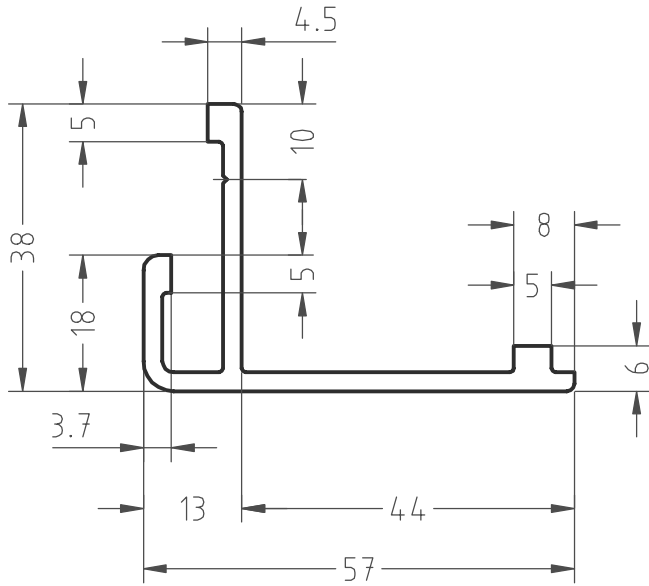
B 27.1



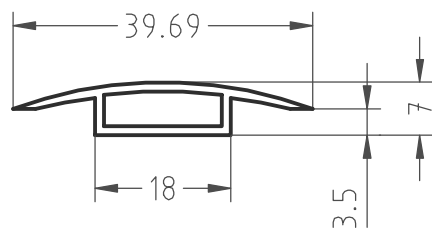
S 10.22



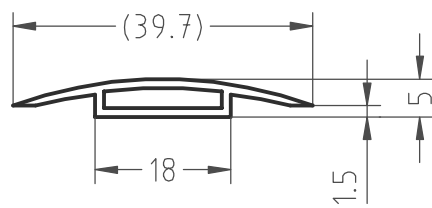
S 10.20



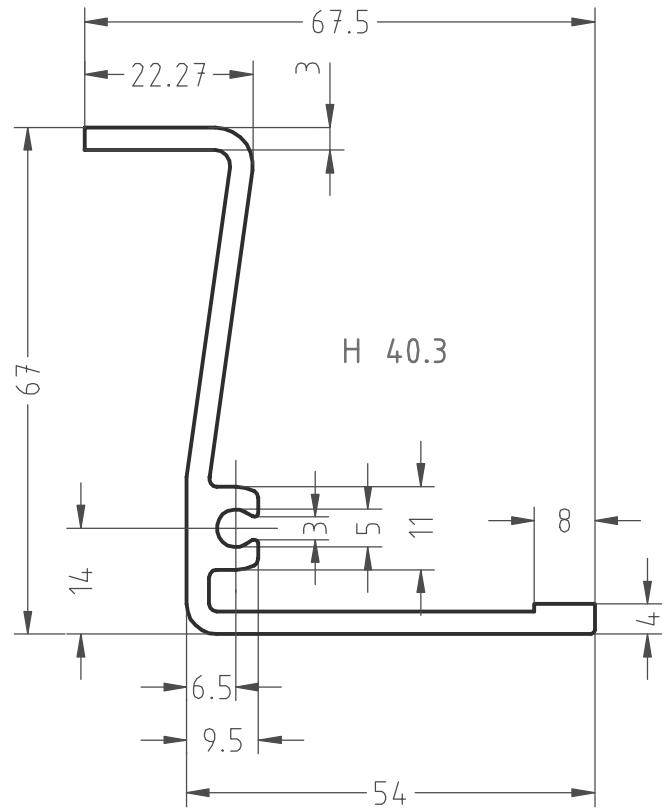
H 40.1



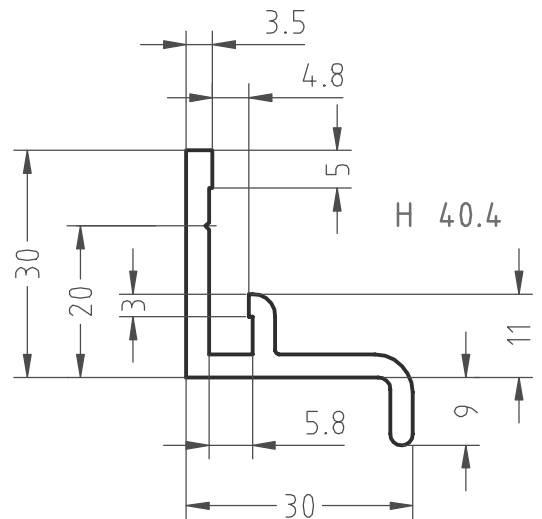
H 40.5



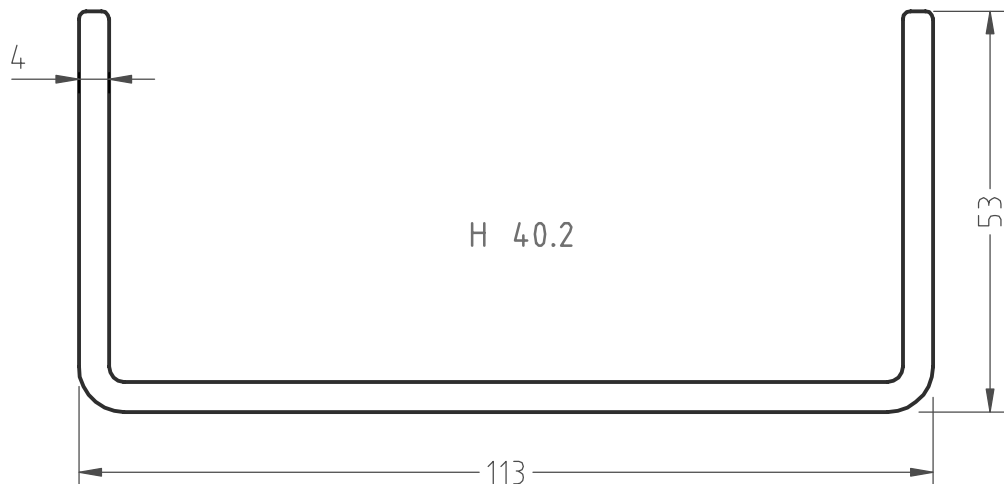
H 40.6



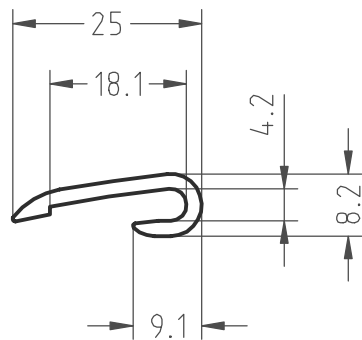
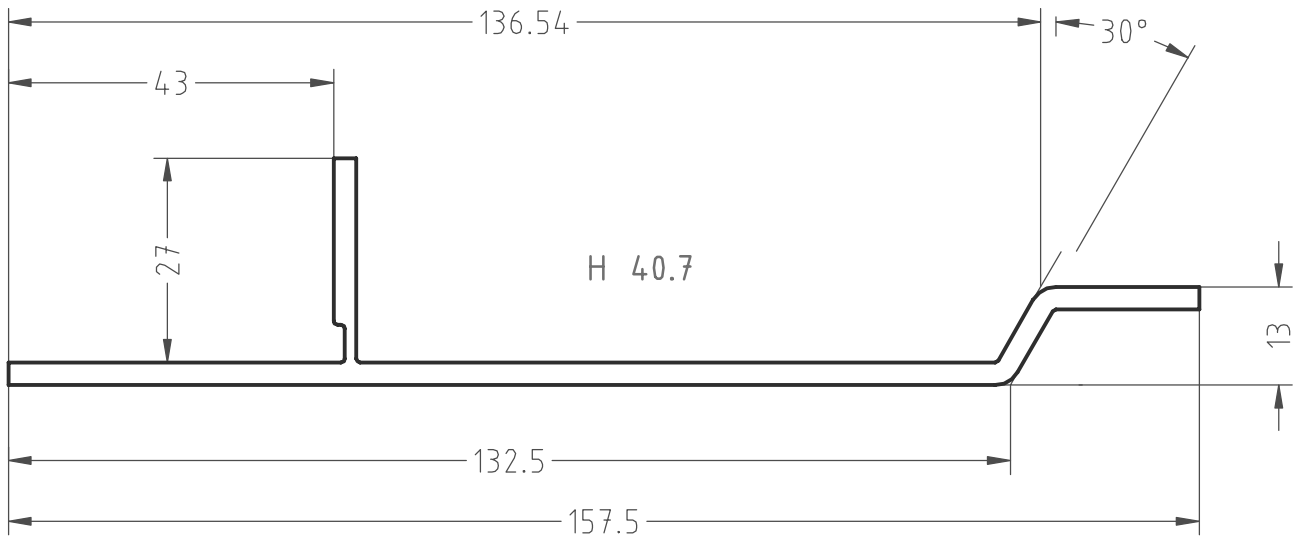
H 40.3



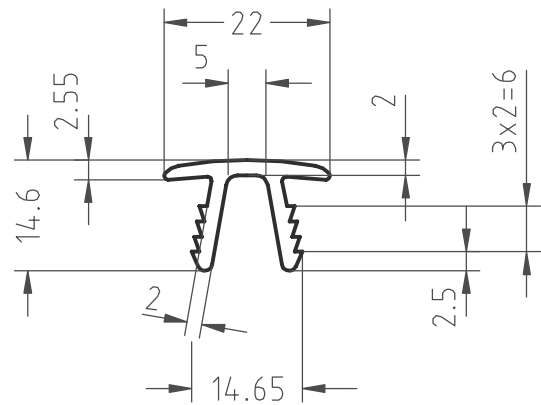
H 40.4



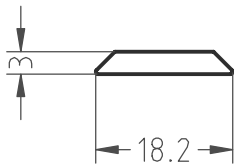
H 40.2



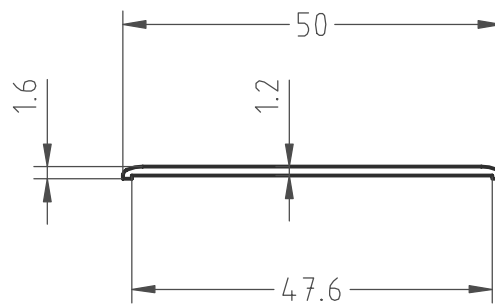
S 10.26



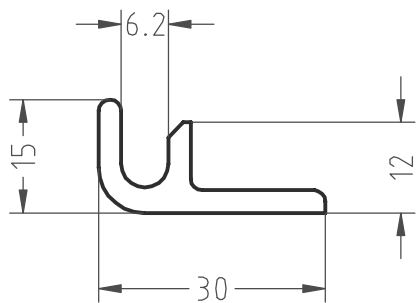
S 10.23



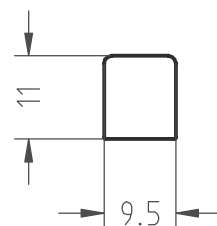
S 10.28



S 10.30

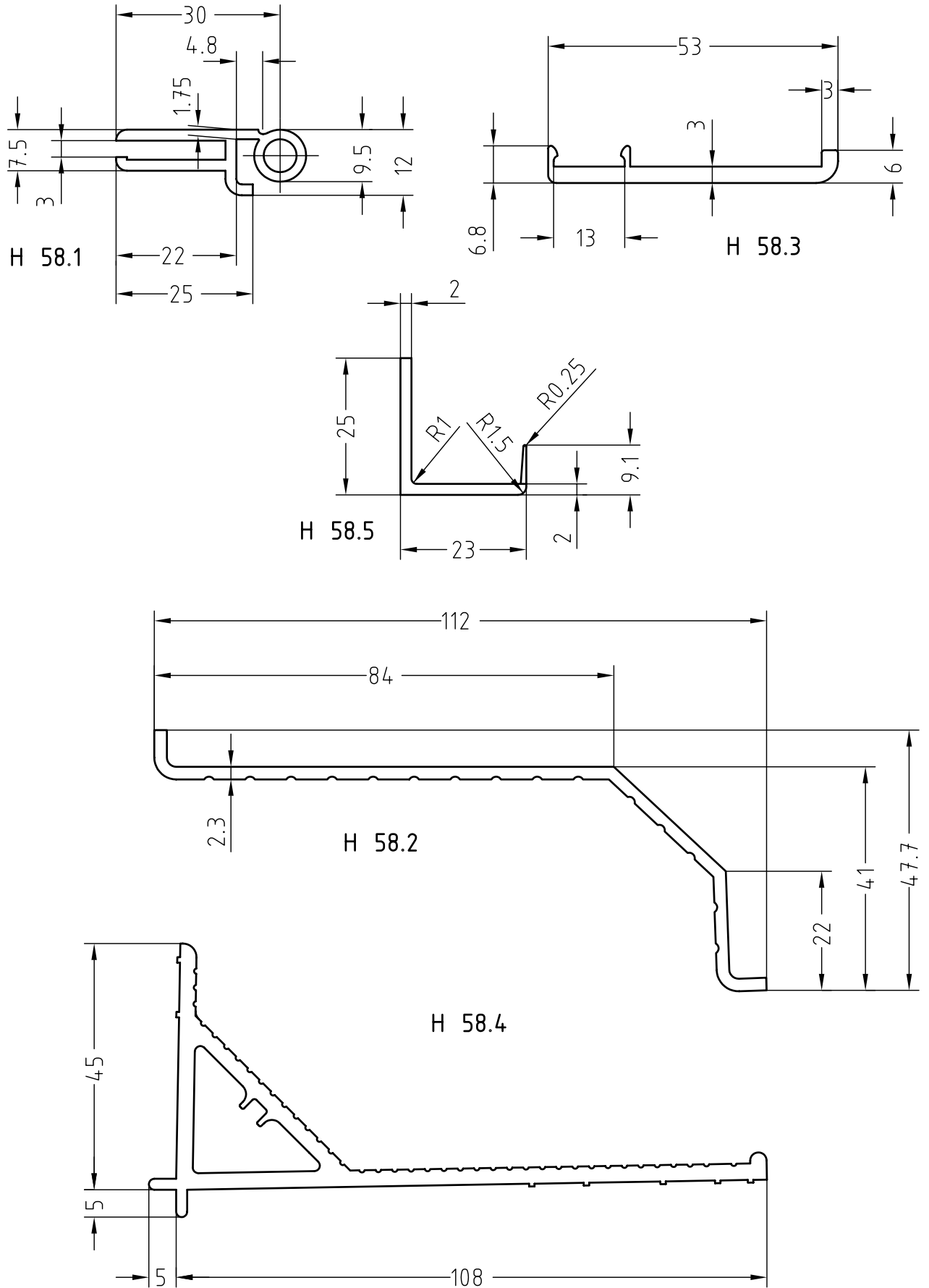


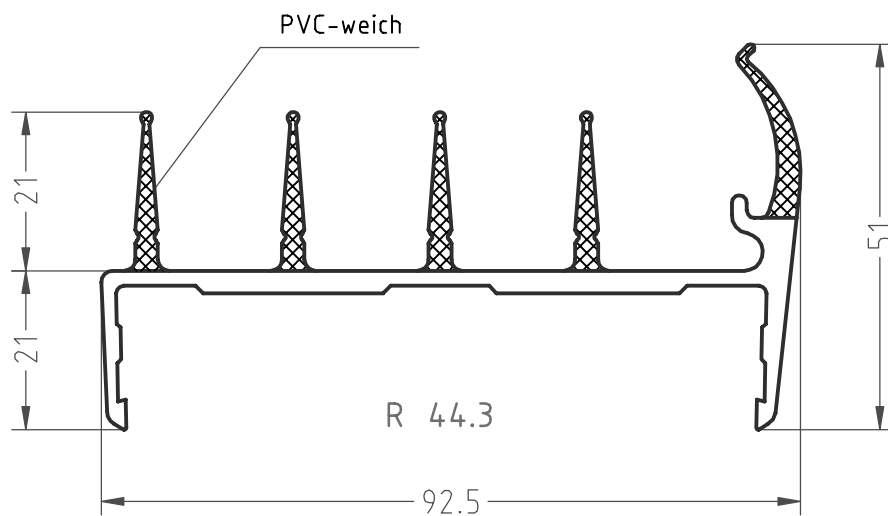
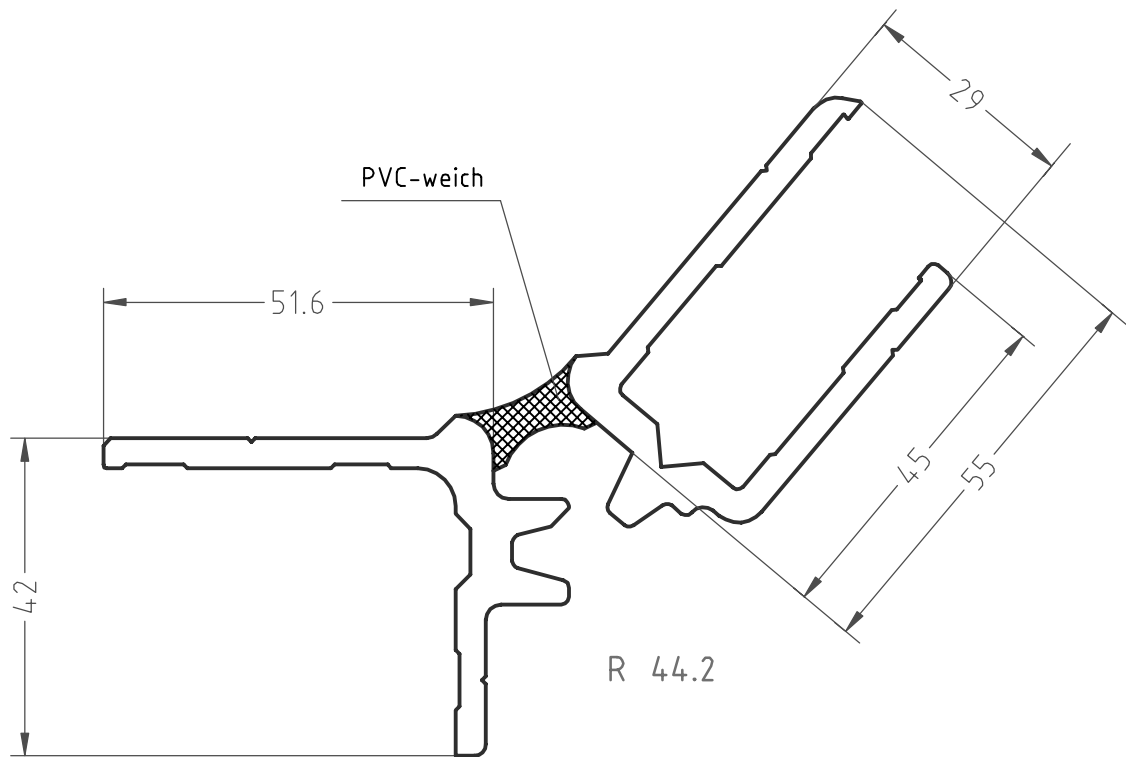
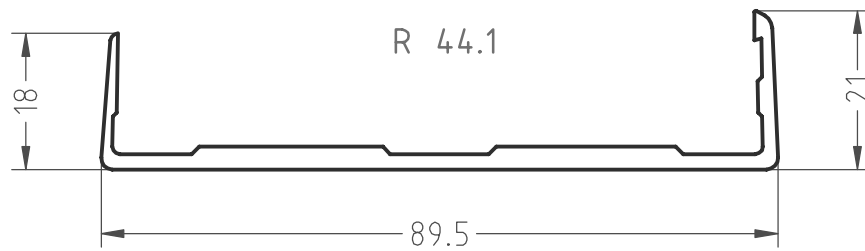
S 10.29

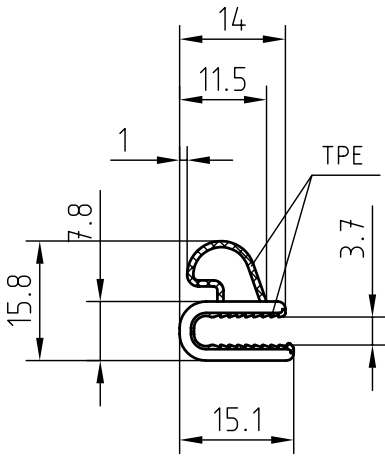


S 10.31

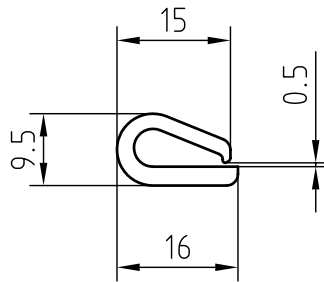




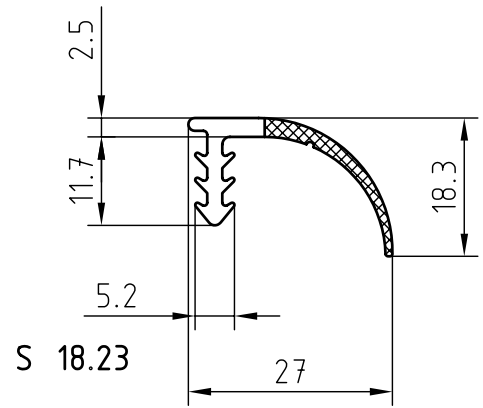




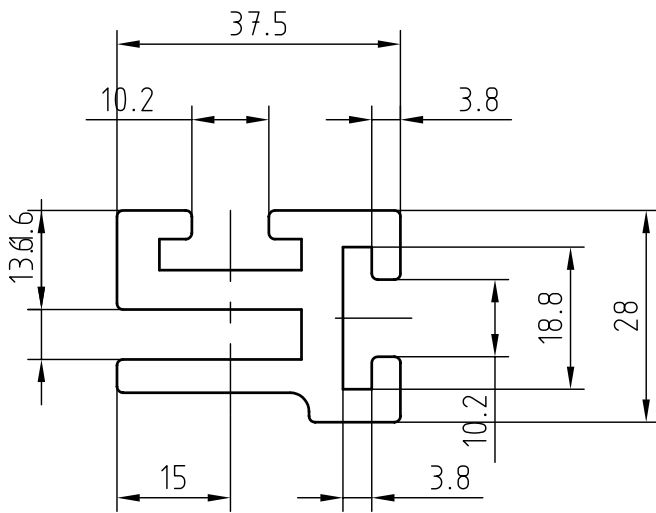
A 38.1



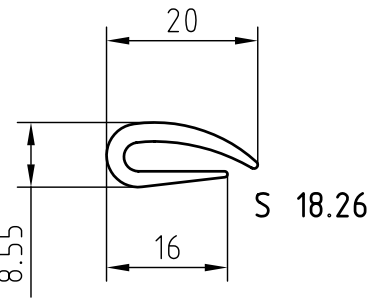
A 38.2



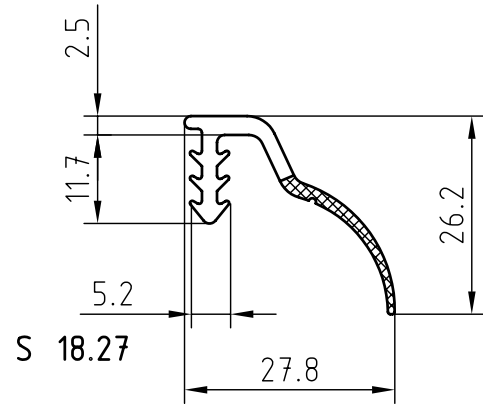
S 18.23



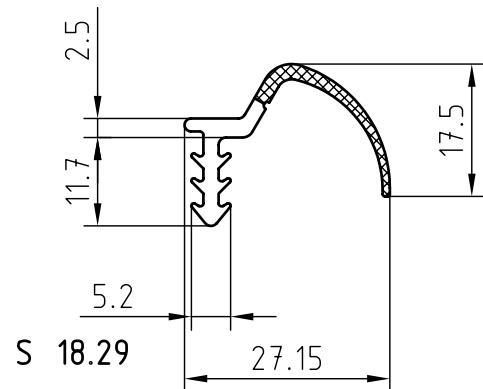
B 86.1



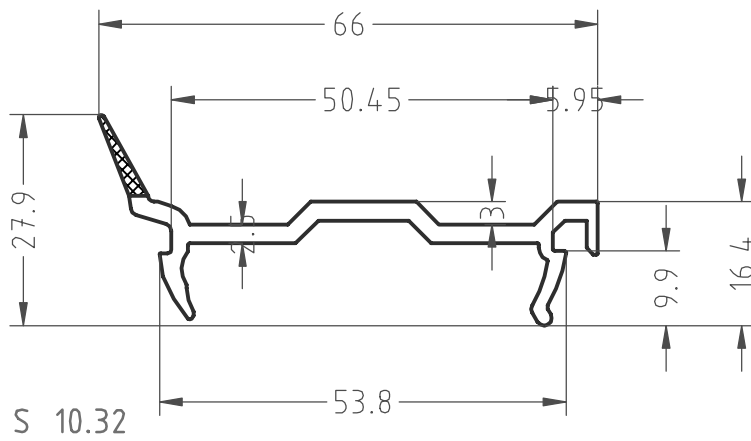
S 18.26



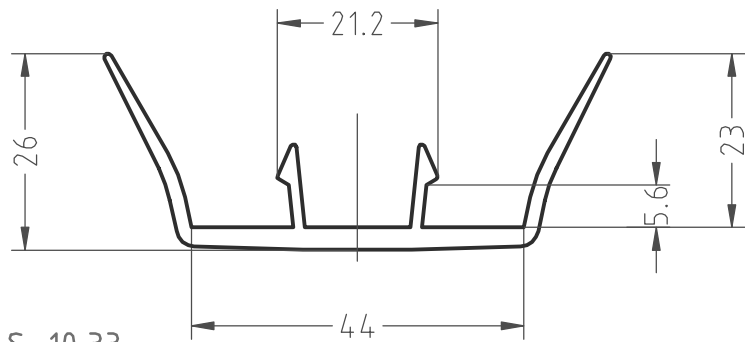
S 18.27



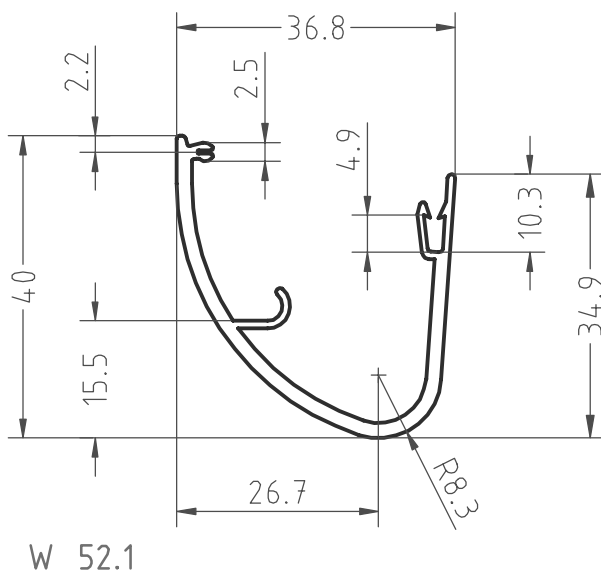
S 18.29



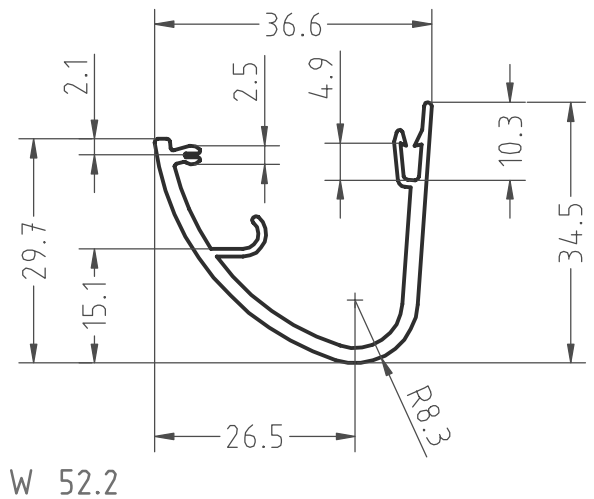
S 10.32



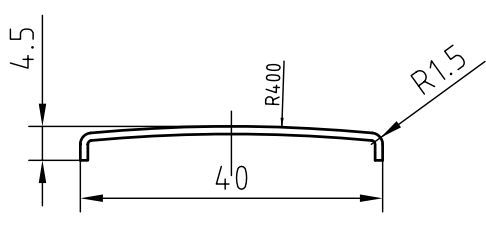
S 10.33



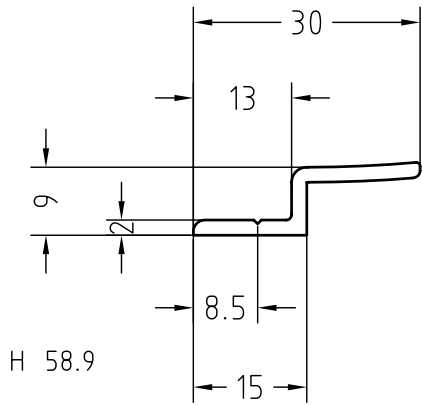
W 52.1



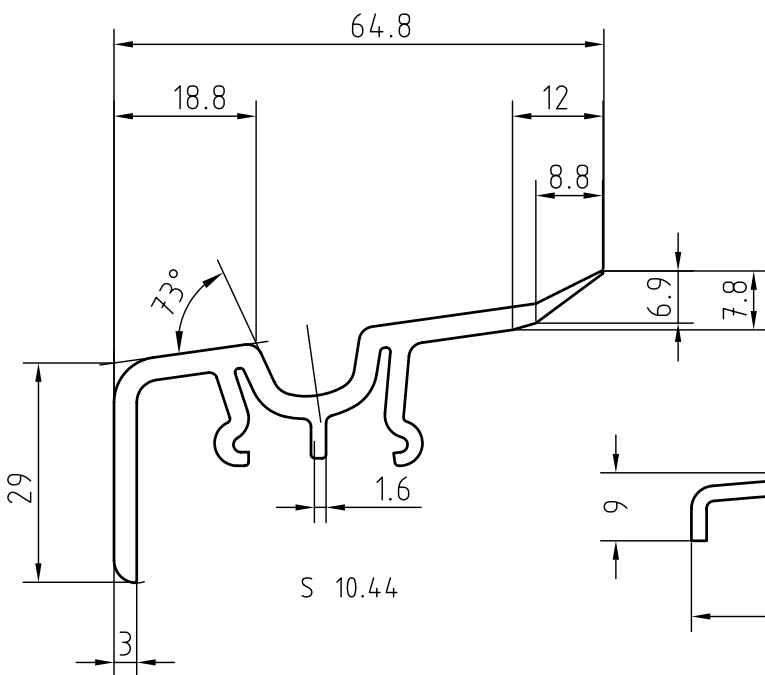
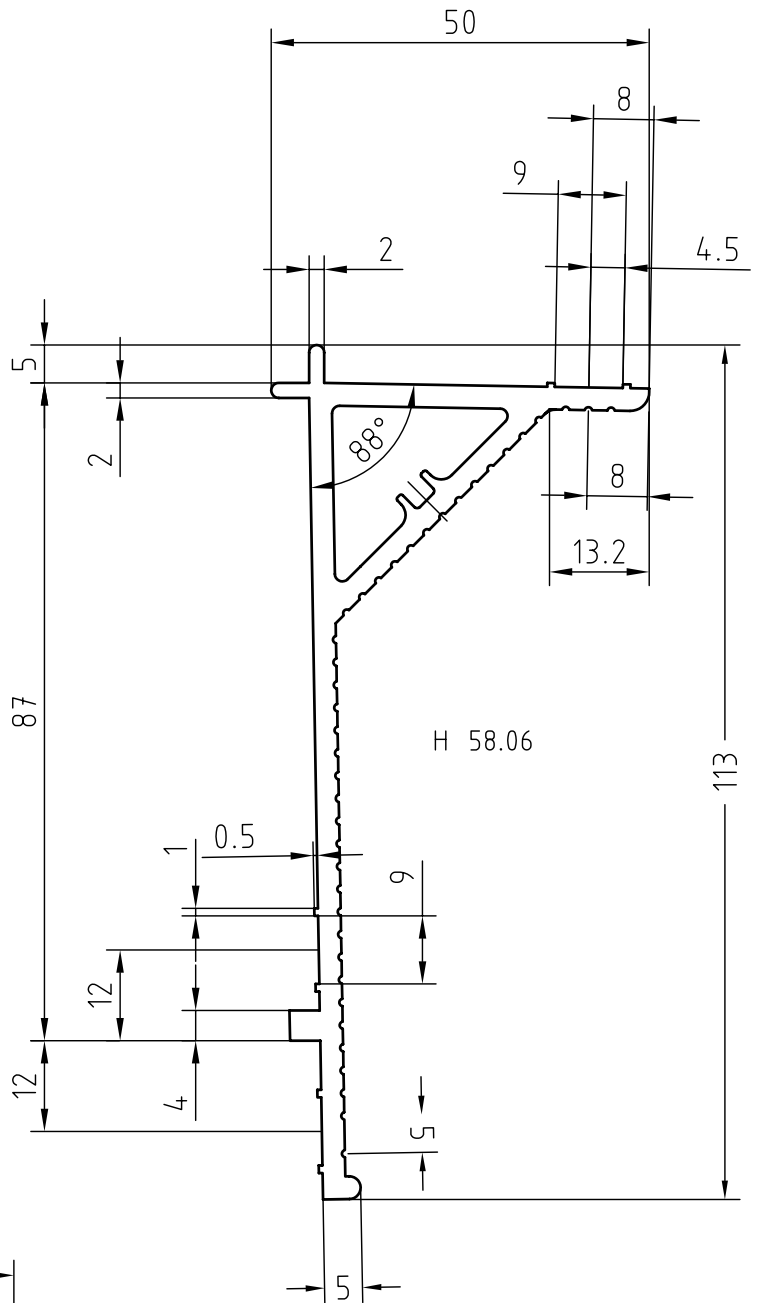
W 52.2



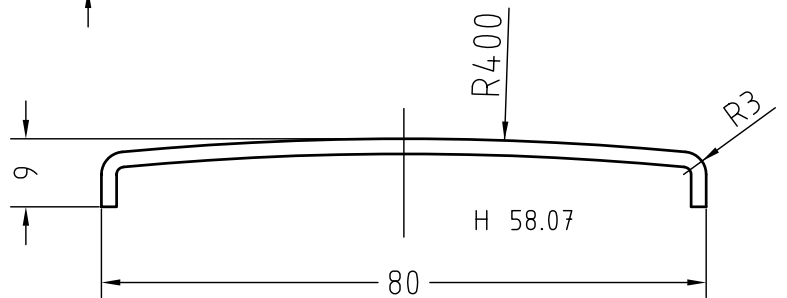
H 58.7

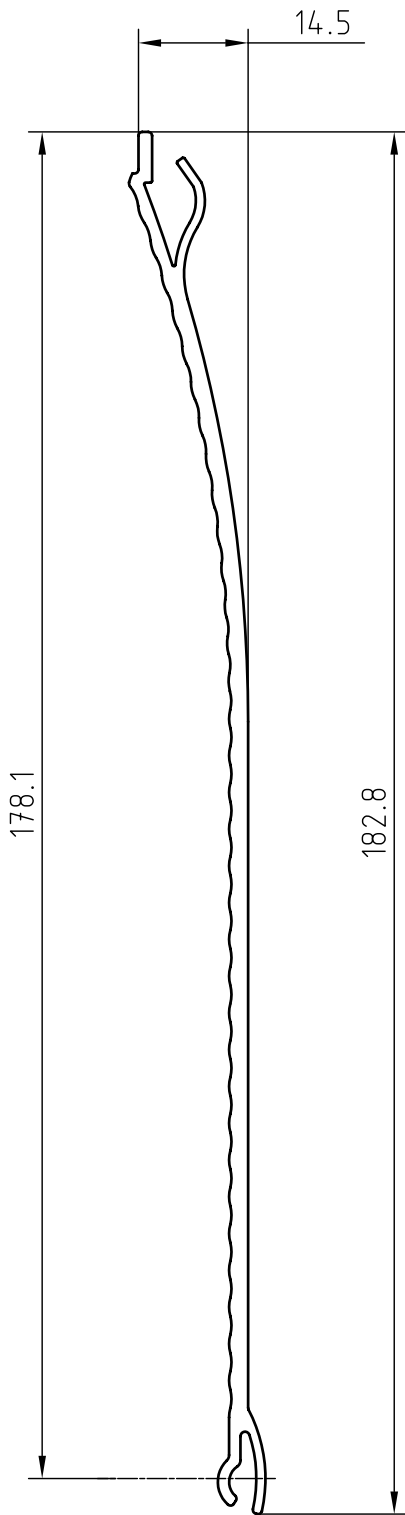


H 58.9



S 10.44





S 10.52

