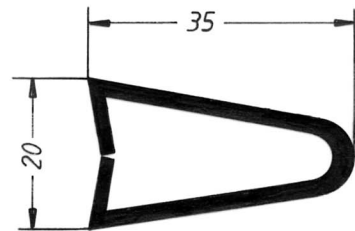
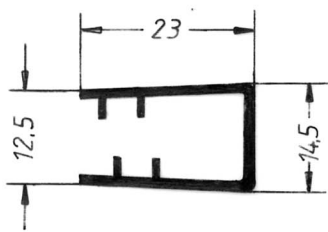


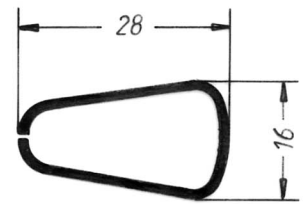
D 1.1



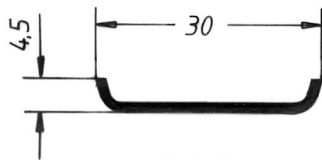
D 1.2



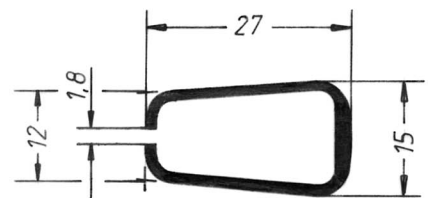
D 1.3



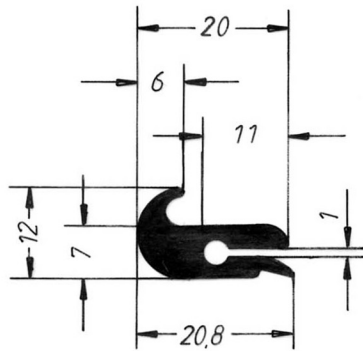
K 42.1



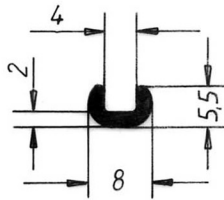
D 2.1



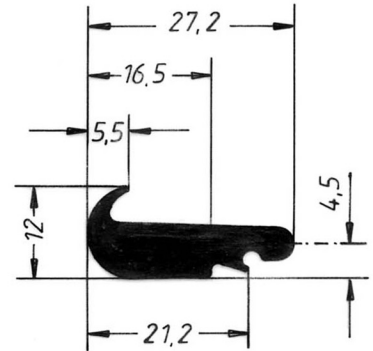
D 2.2



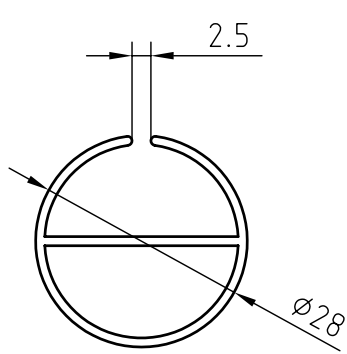
G 8.25



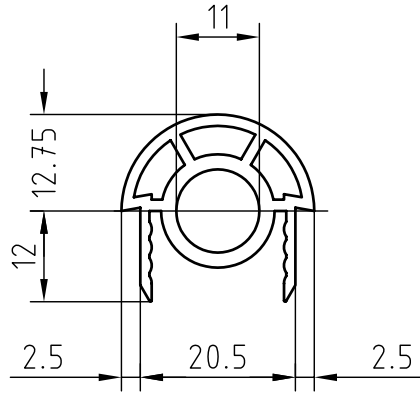
G 8.26



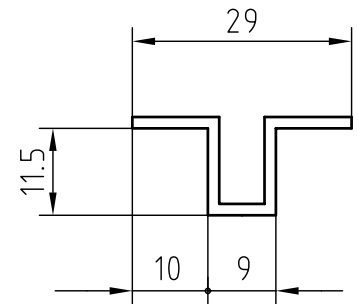
G 8.27



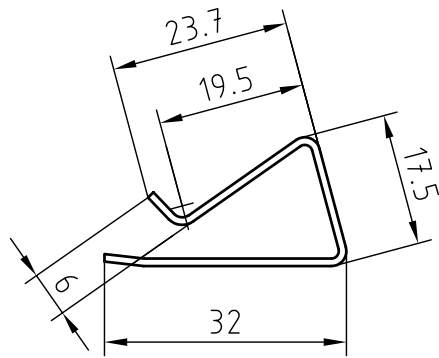
H 25.2



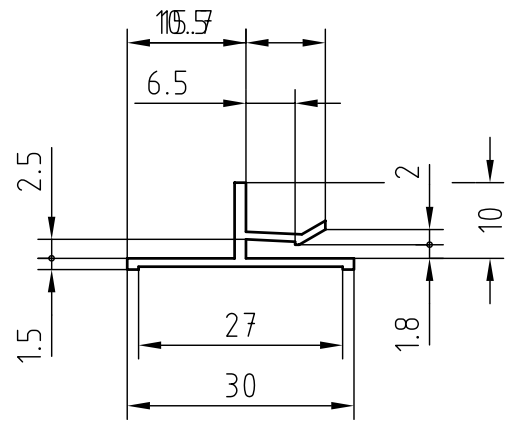
W 1.1



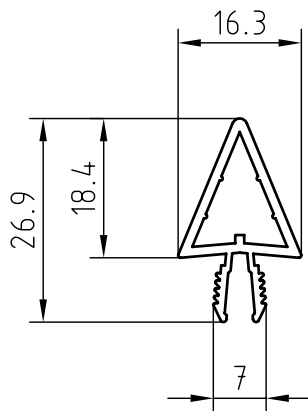
D 1.4



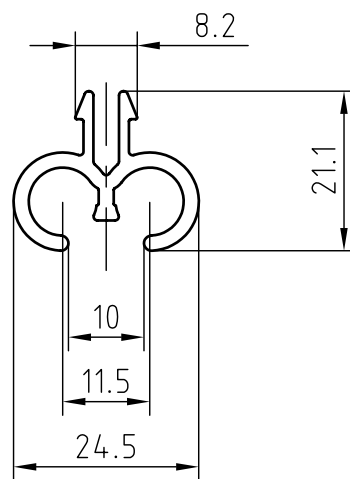
S 1.22



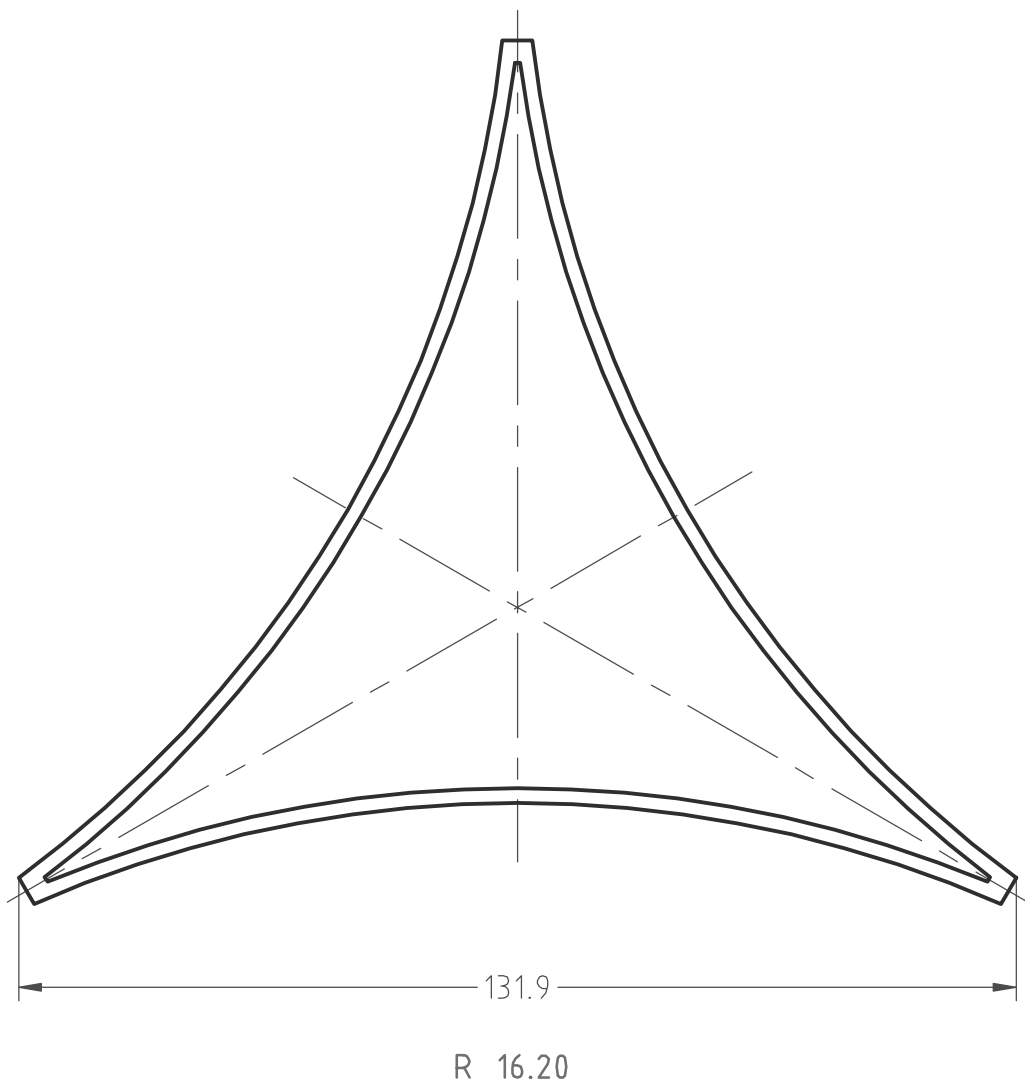
R 20.1

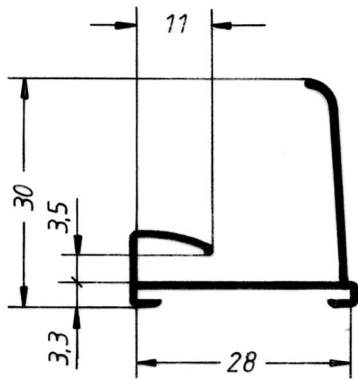


L 19.1

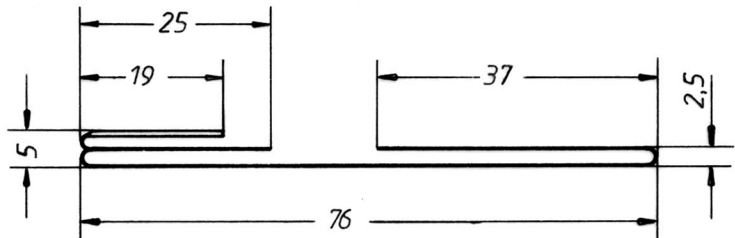


T 44.01

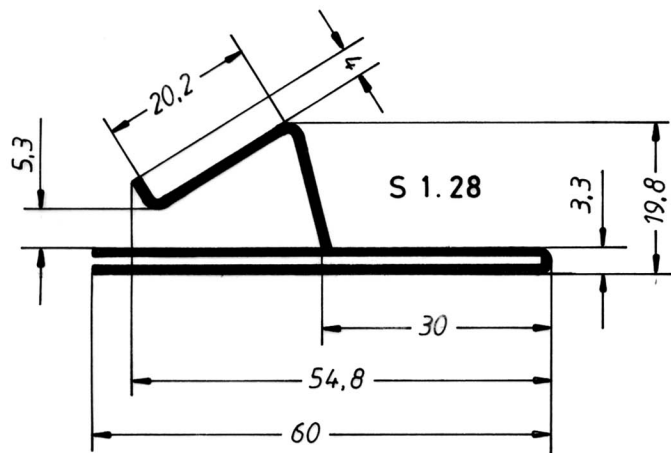




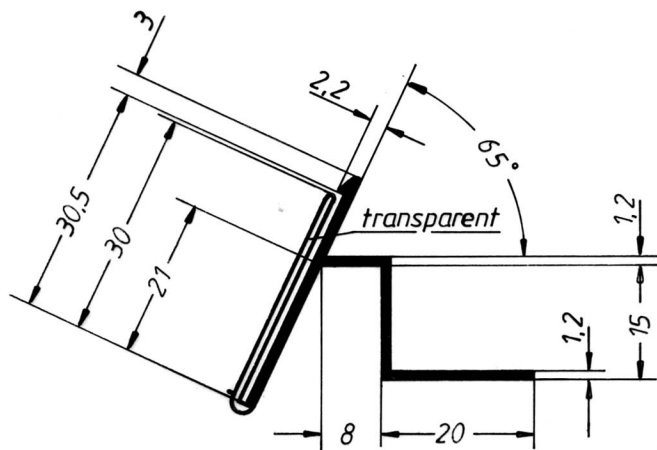
A 9.1



E 18.1



S 1.28



P 6.1