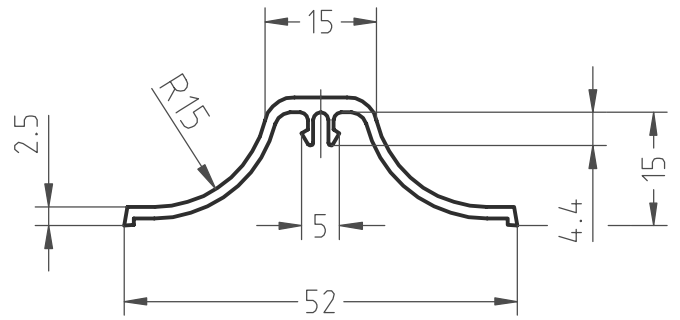
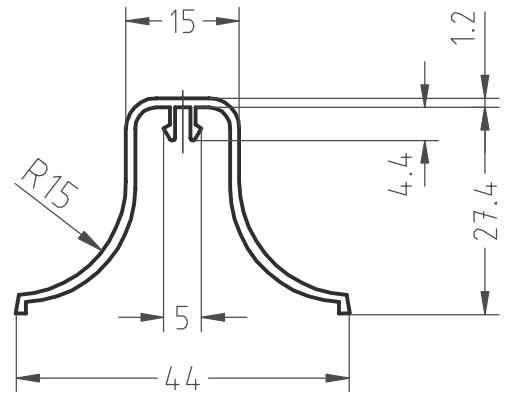


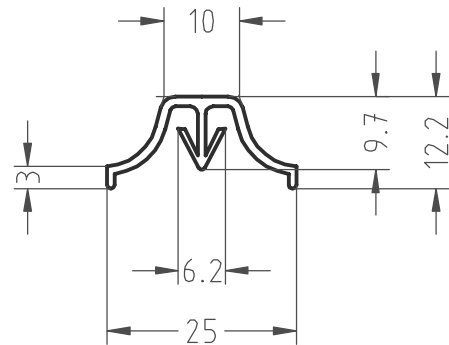
G 26.2



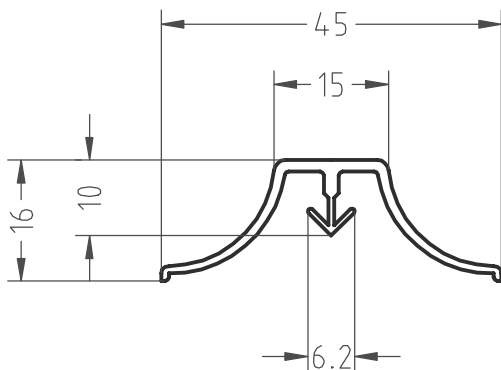
G 26.1



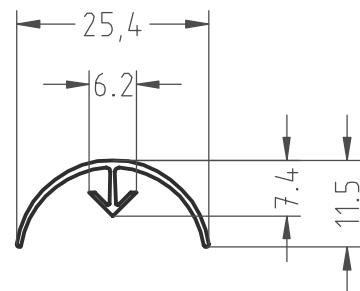
G 26.4



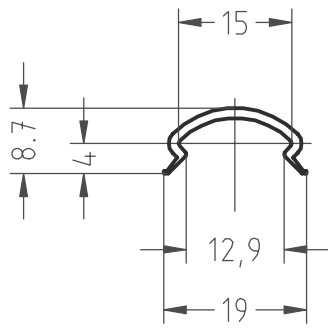
A 13.1



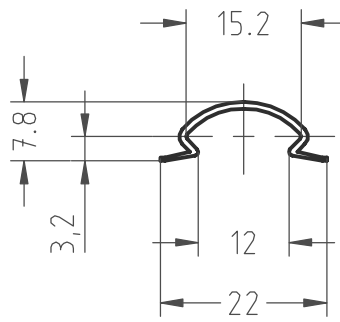
A 13.4



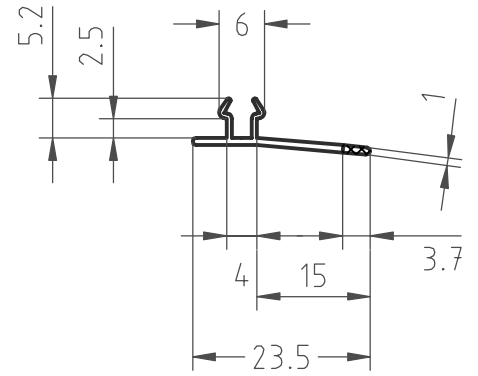
A 13.3



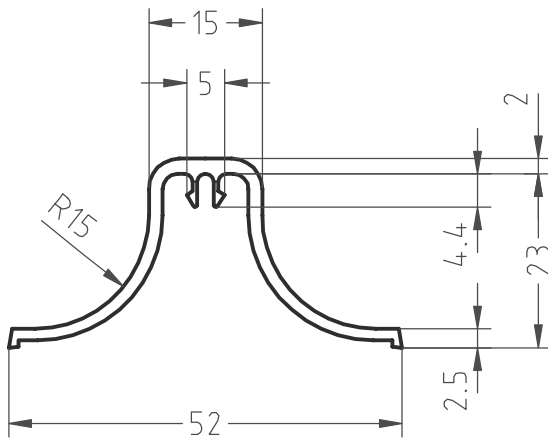
B 7.1



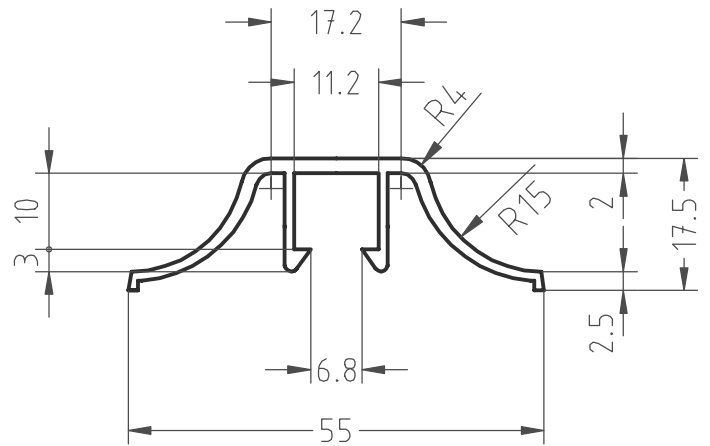
B 7.2



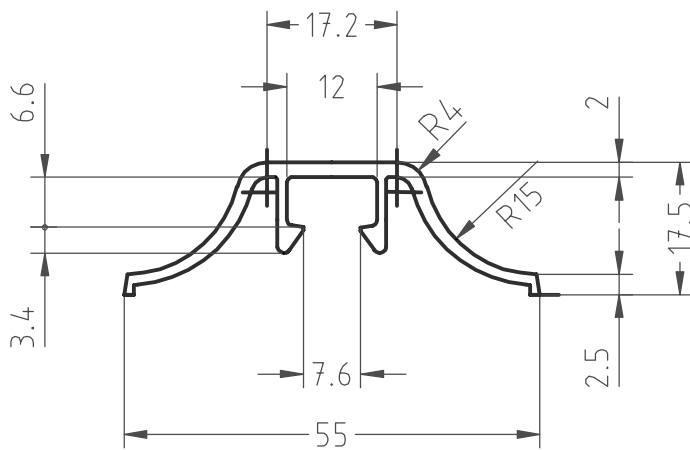
B 29.1



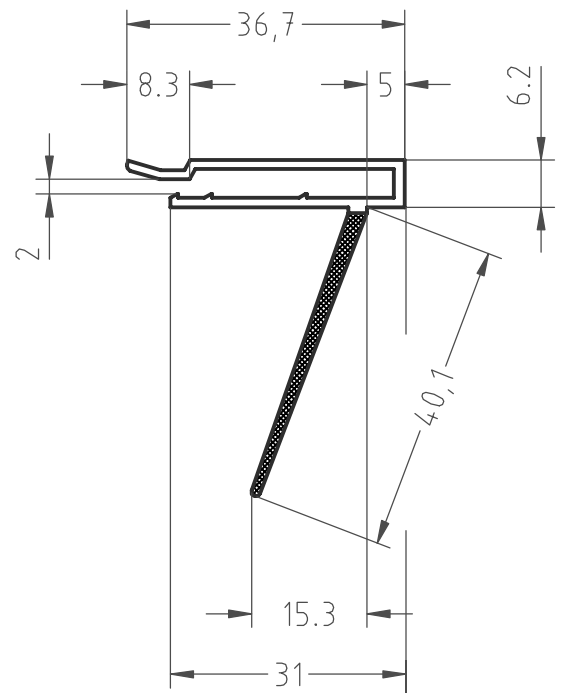
G 26.7



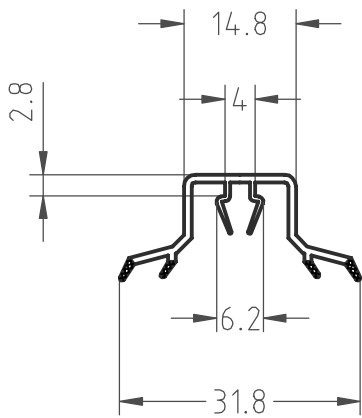
G 26.8



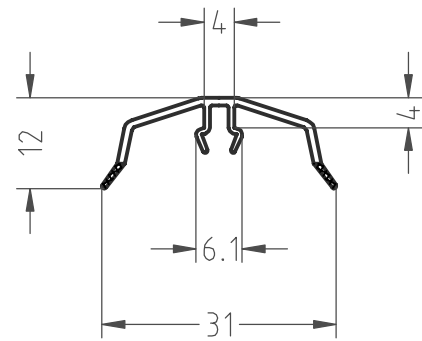
G 26.8-2



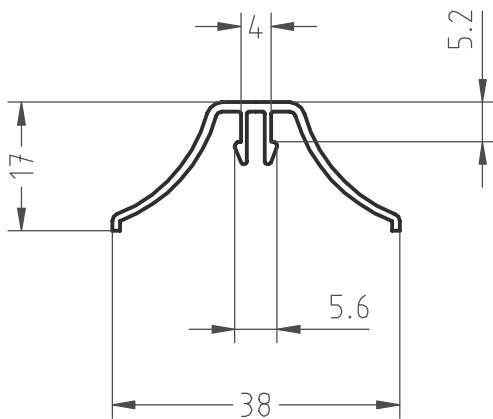
Sch 22.1



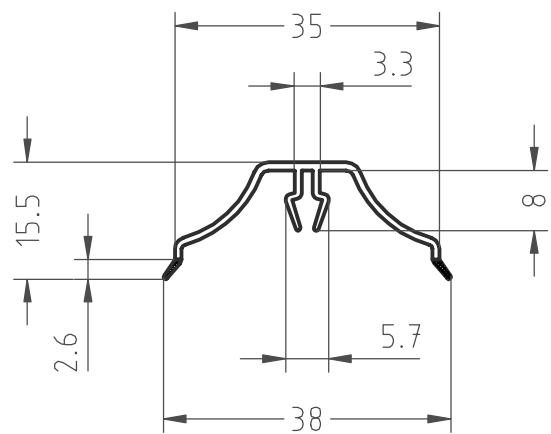
B 29.2



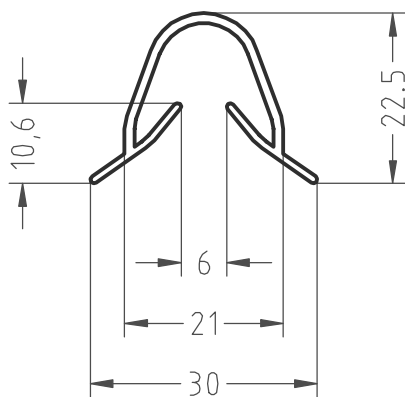
B 29.3



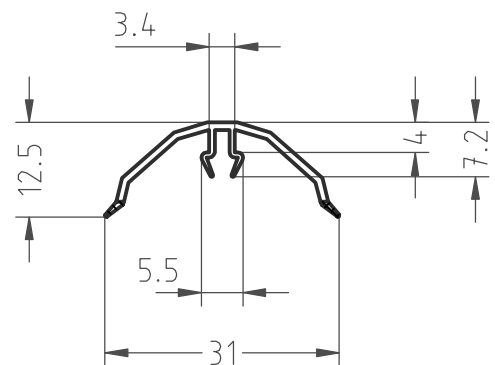
B 29.4



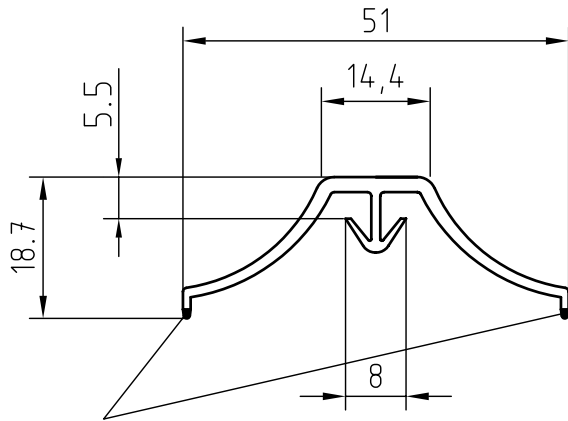
B 57.1



B 51.1

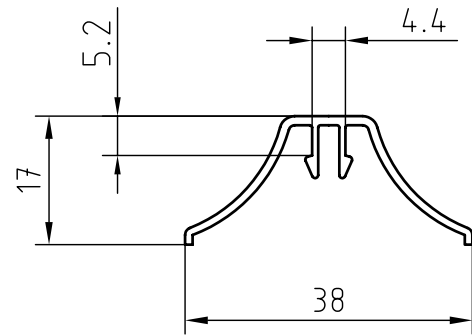


B 57.2

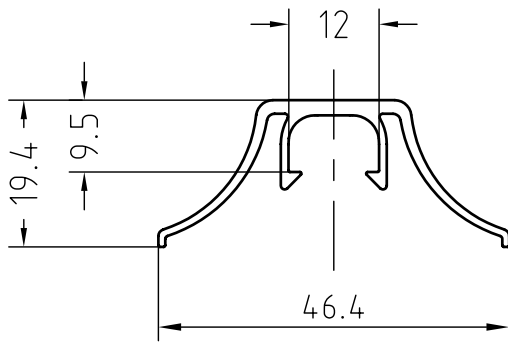


Weichlippe in TPU

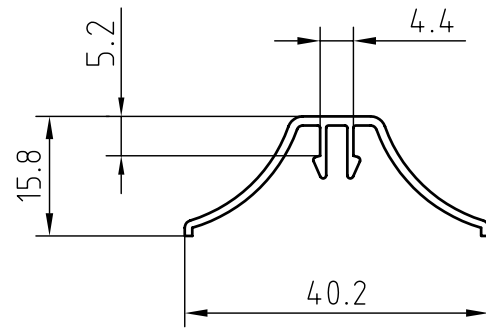
B 57.3



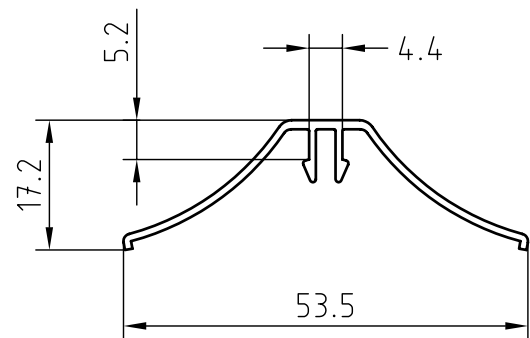
D 34.1



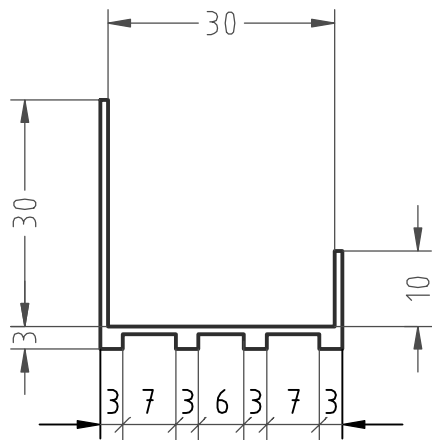
K 0.29



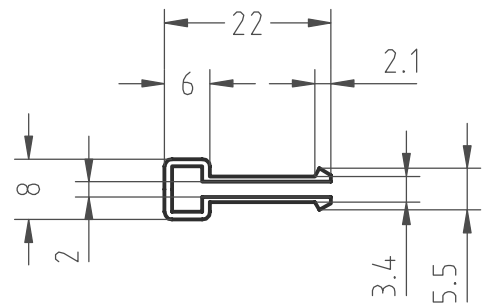
D 34.2



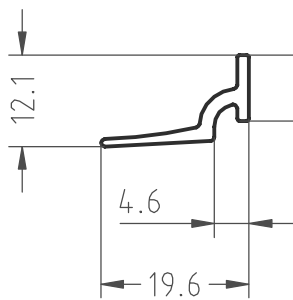
D 34.3



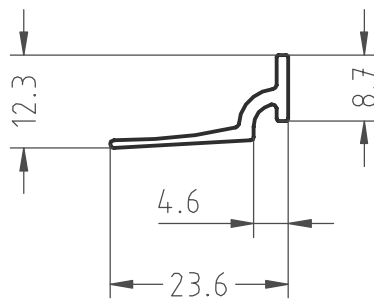
M 1.5



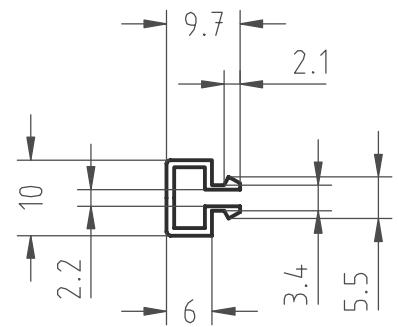
G 26.5



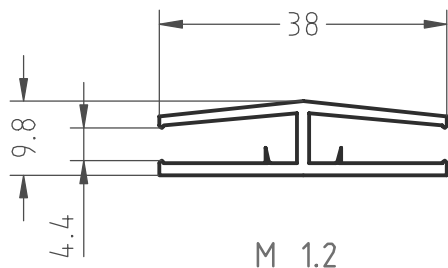
G 26.9



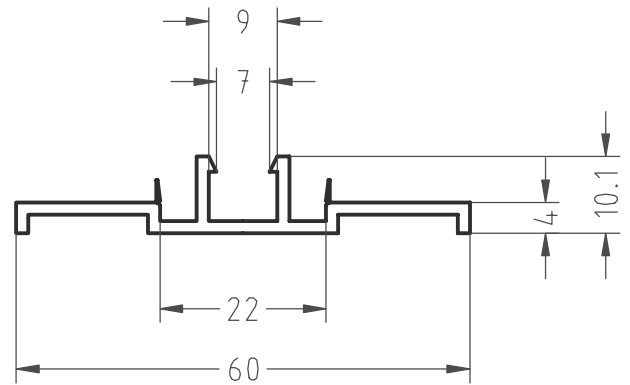
G 26.10



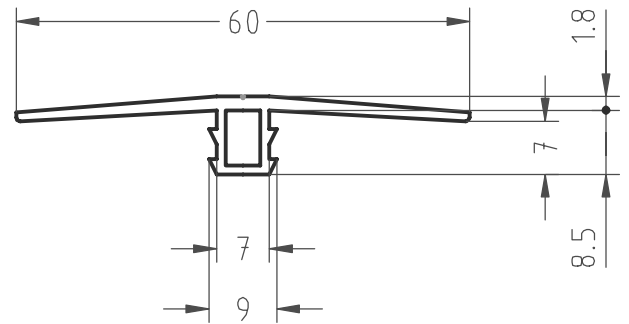
G 26.3



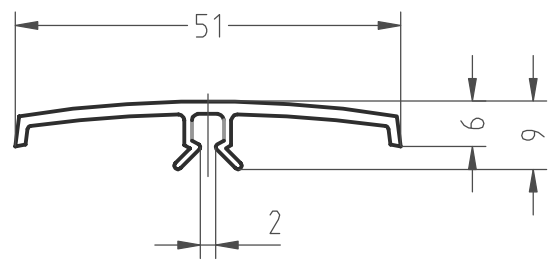
M 1.2



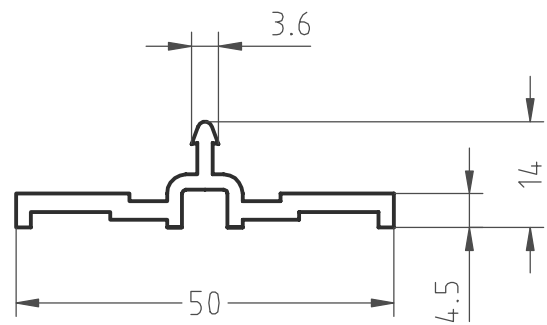
M 1.3



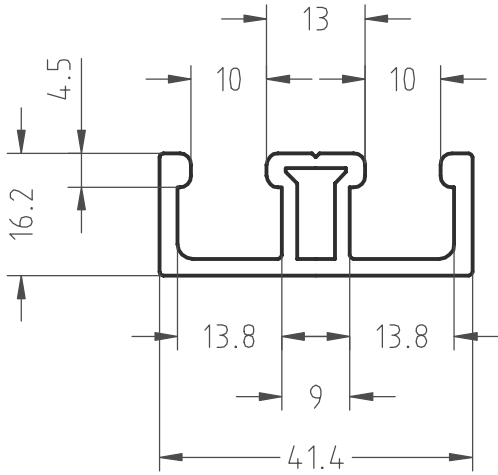
M 1.4



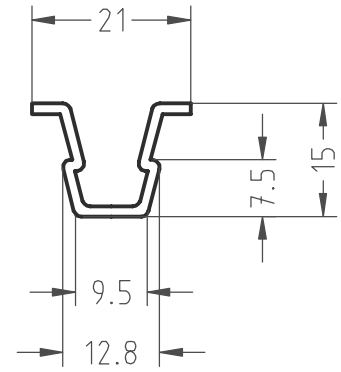
M 1.8



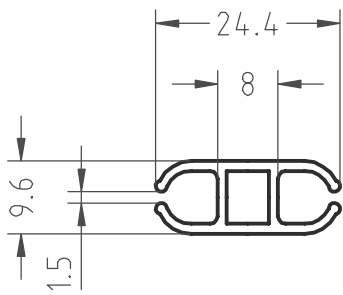
M 1.7



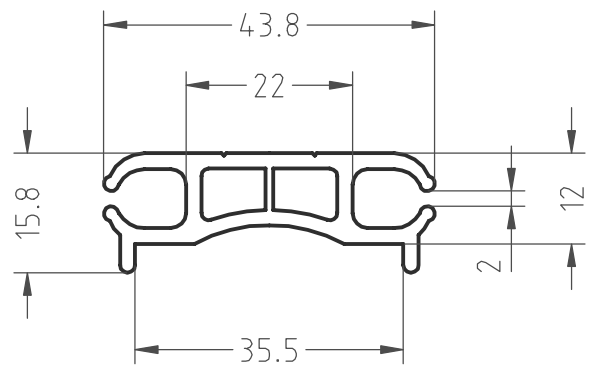
M 1.1



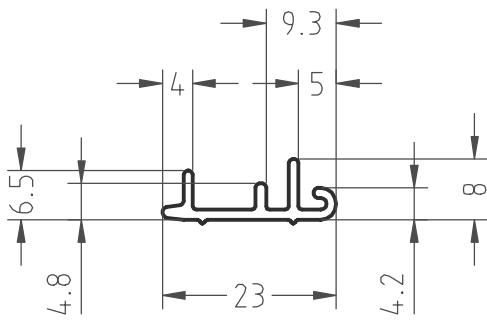
S 1.15



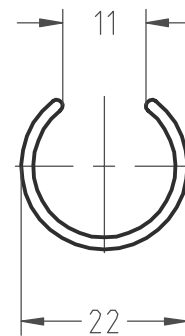
A 15.1



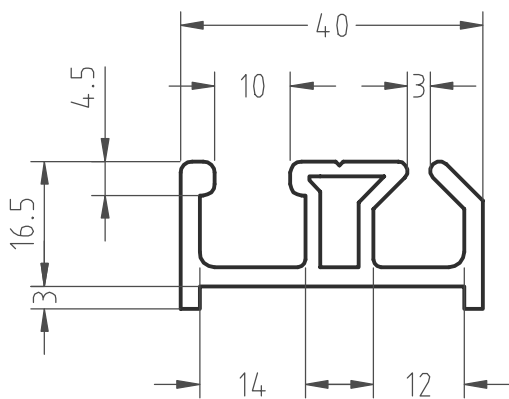
M 1.6



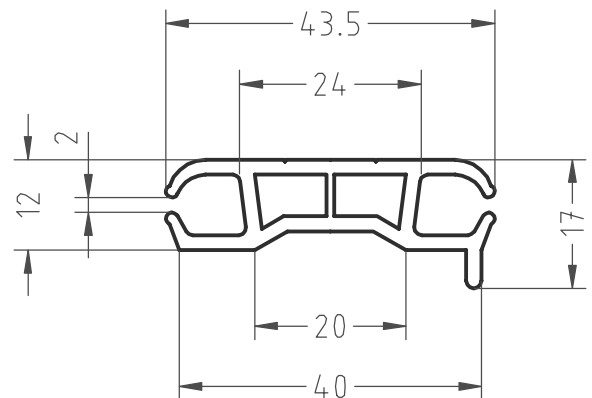
A 13.2



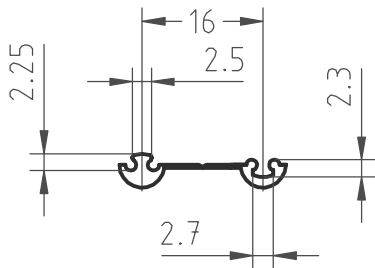
G 6.2



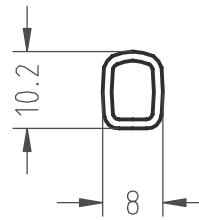
I 5.1



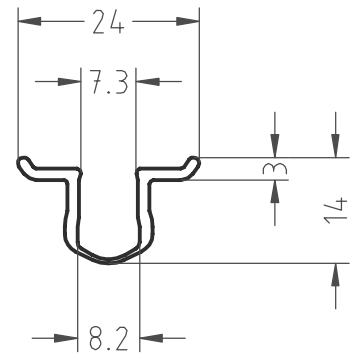
G 6.1



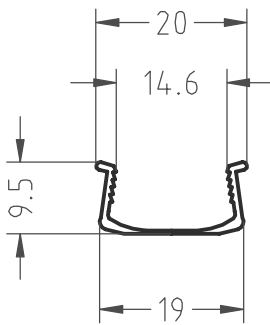
K 0.15



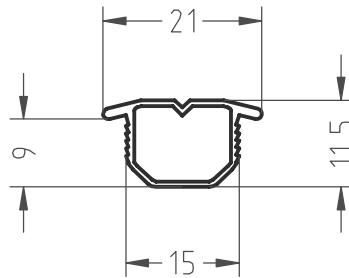
G 6.3



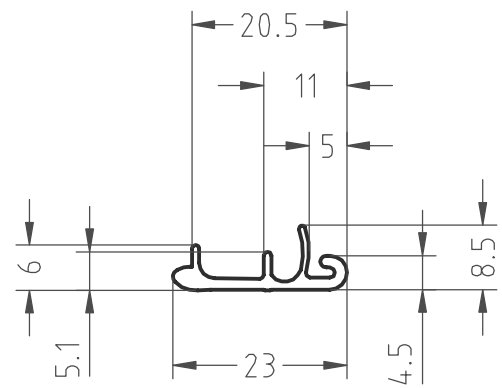
G 6.4



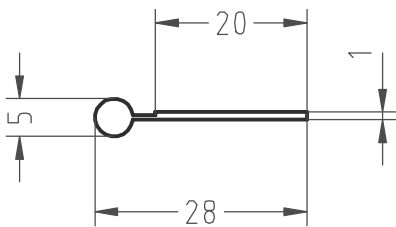
F 25.1



F 25.2

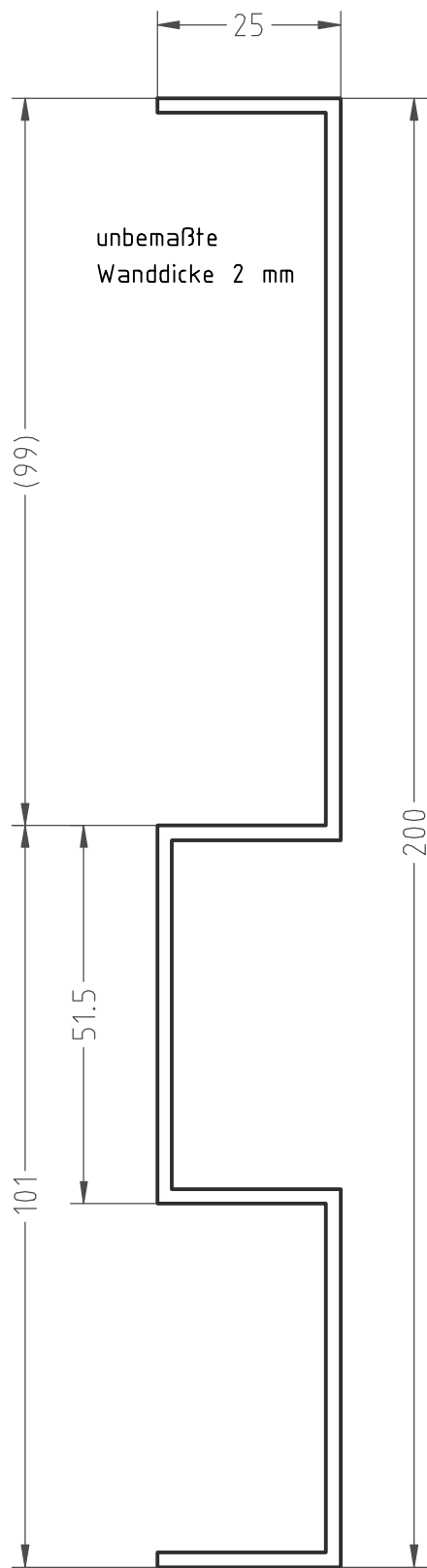


G 23.1

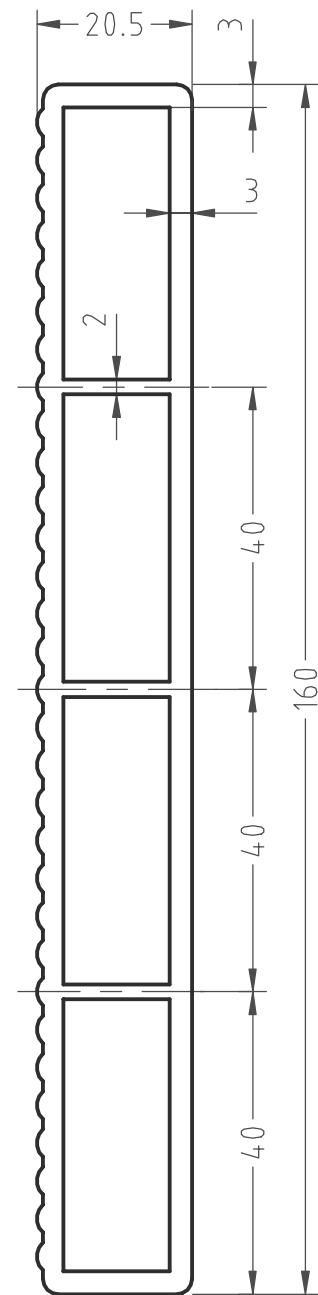


G 6.5

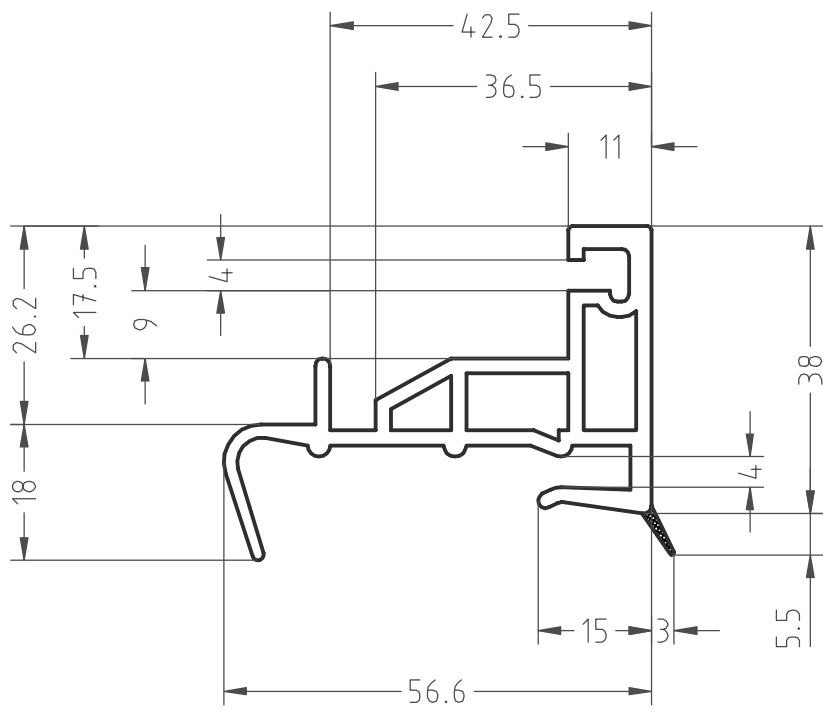




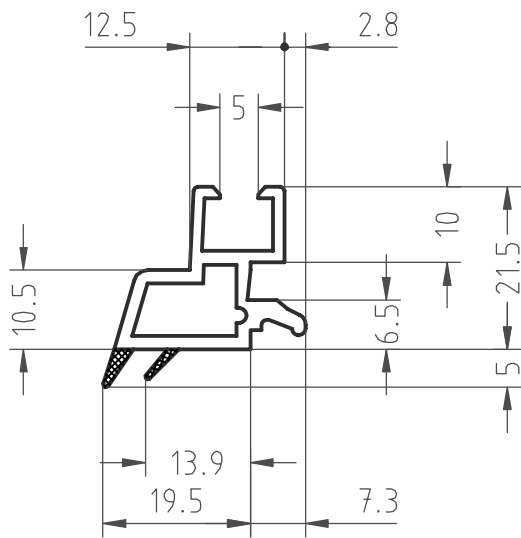
D 8.1



0 1.3



G 26.11



G 26.12