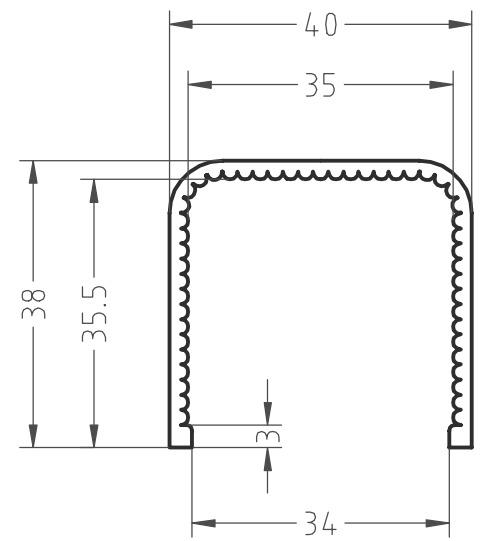
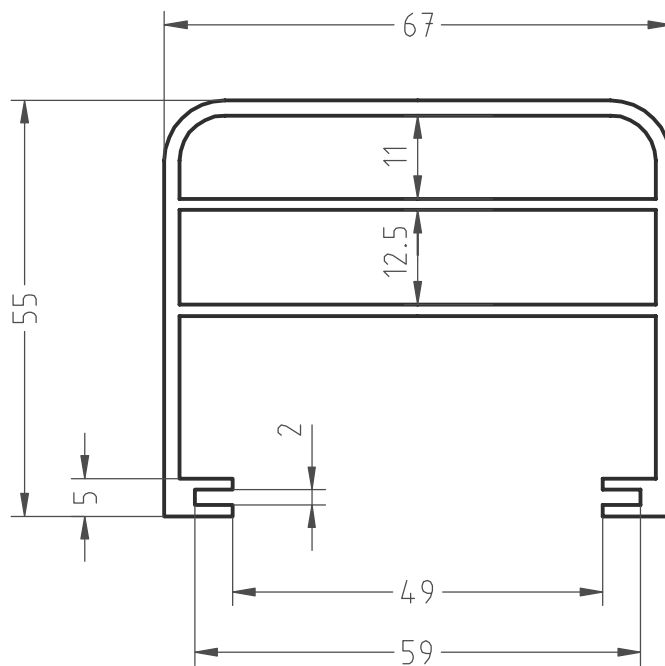


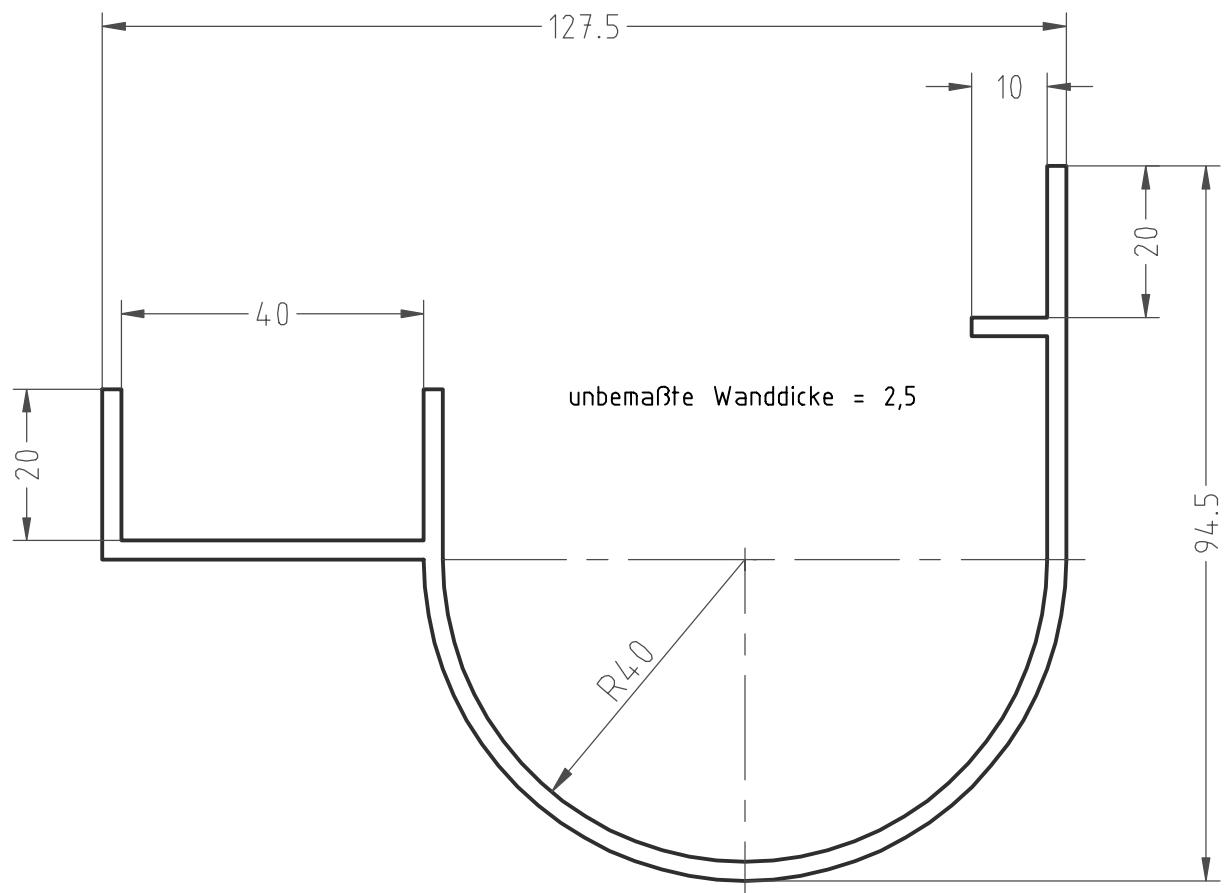
D 4.2



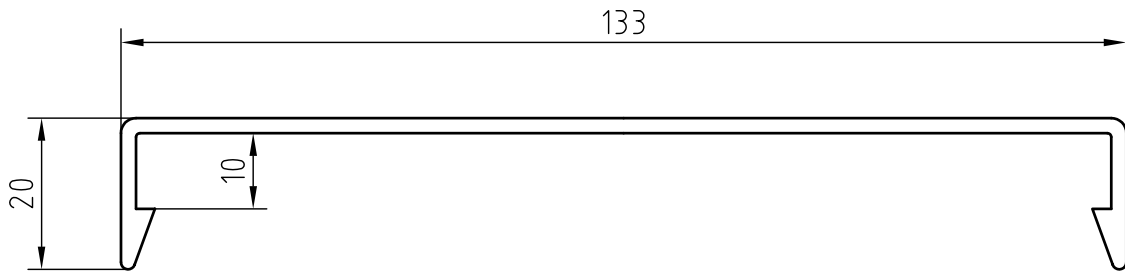
Sch 5.1



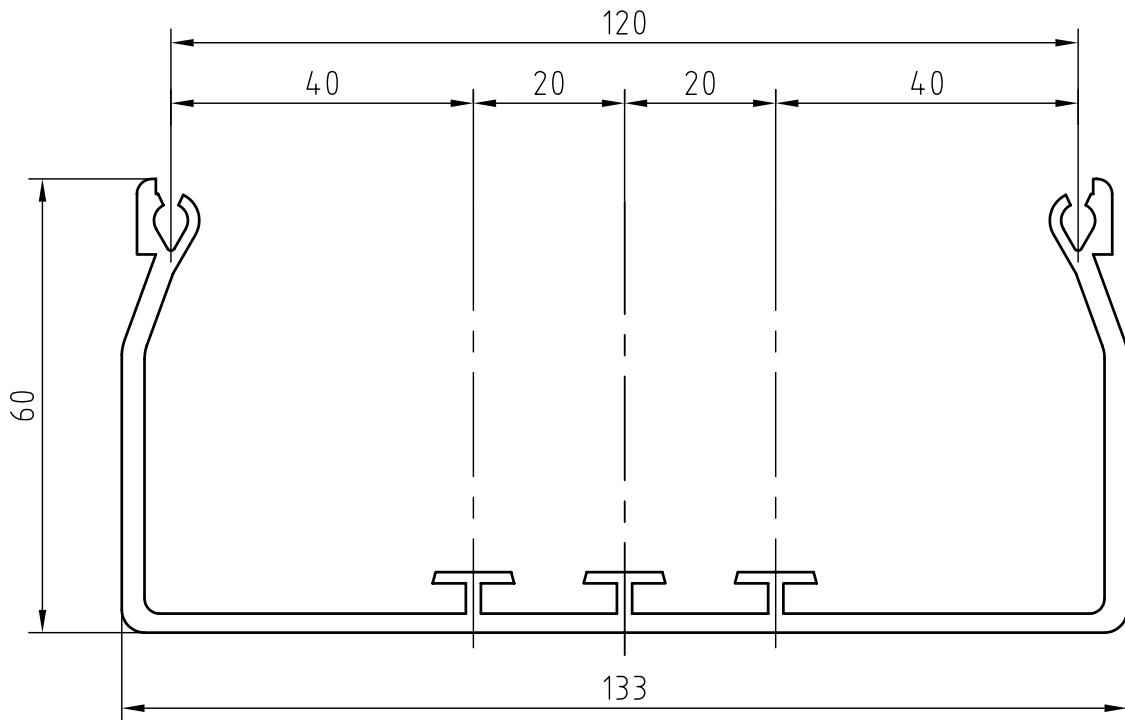
D 4.1



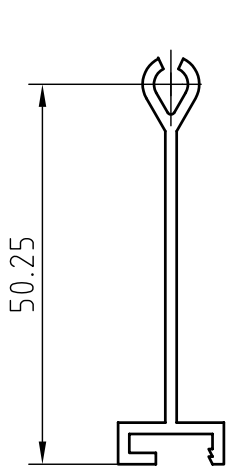
A 14.1



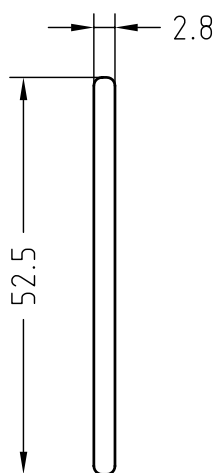
M 11.3



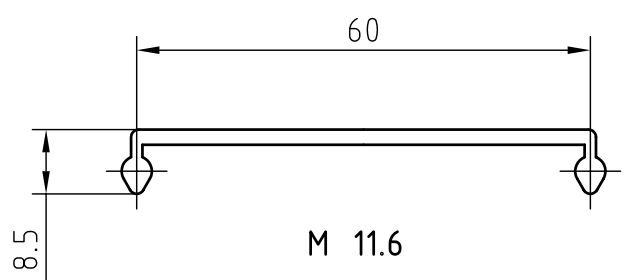
M 11.2



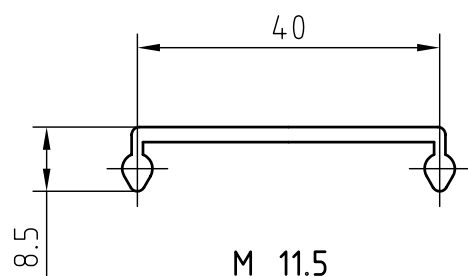
M 11.4



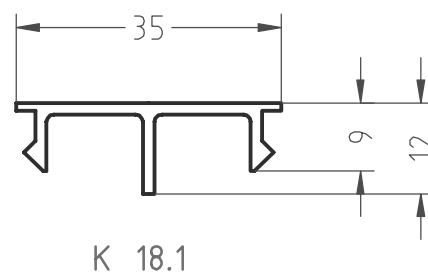
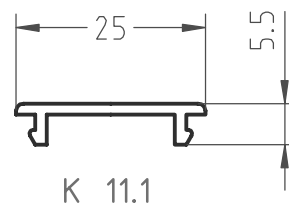
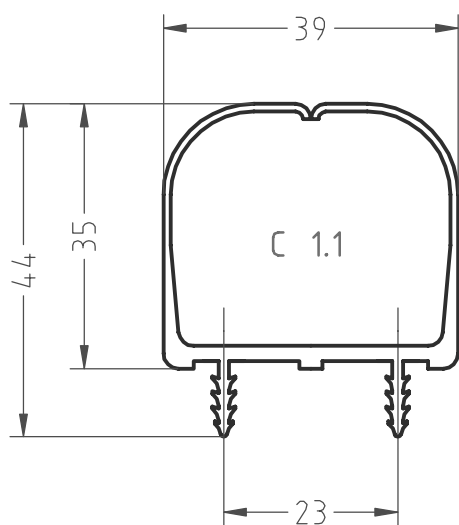
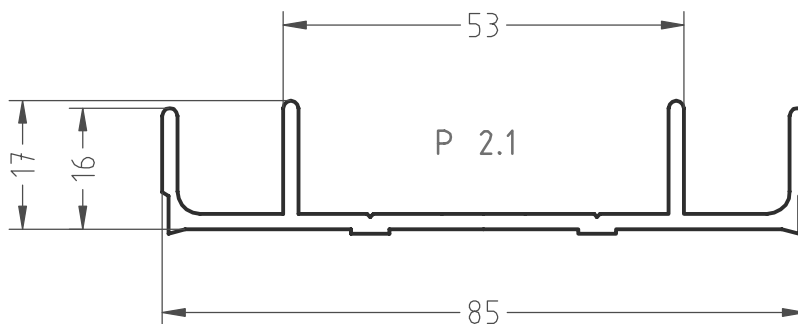
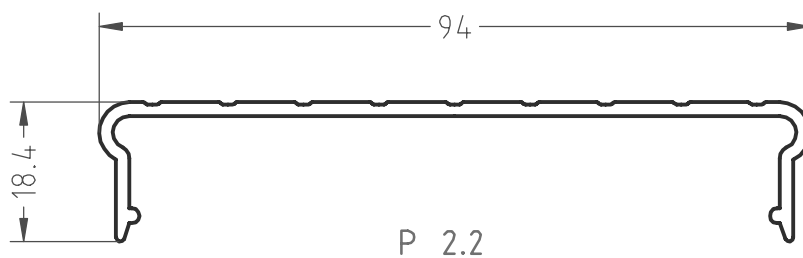
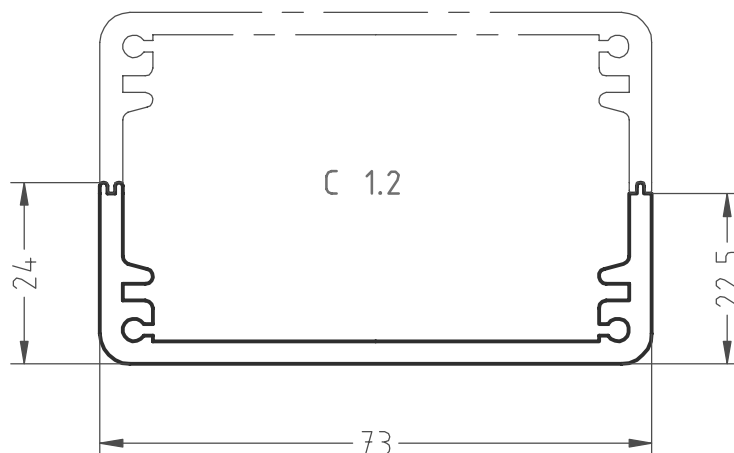
S 01.34

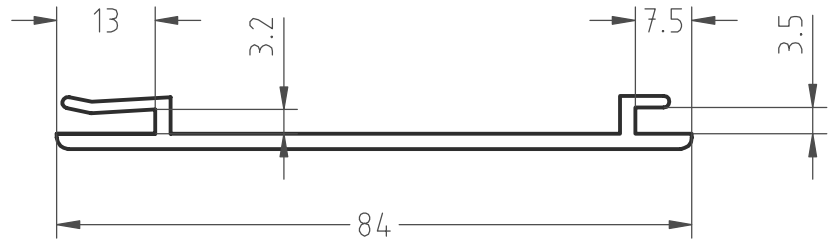
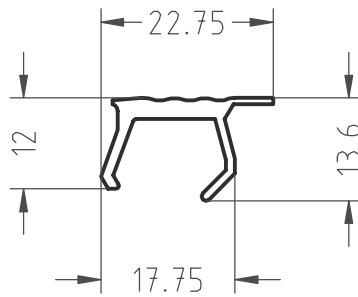
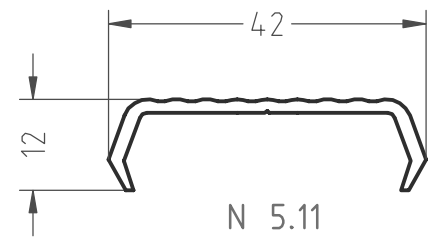
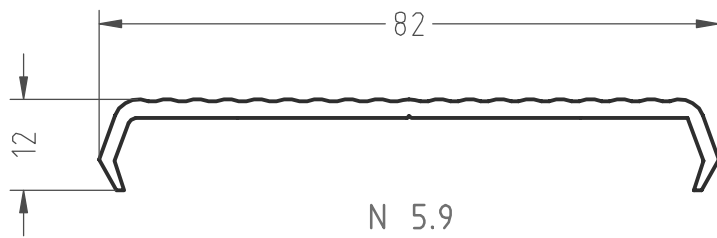
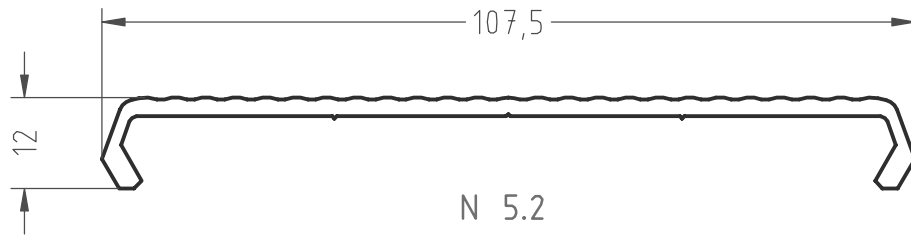


M 11.6



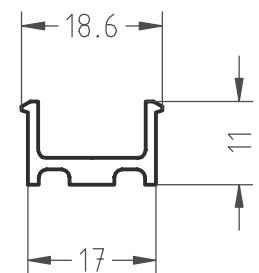
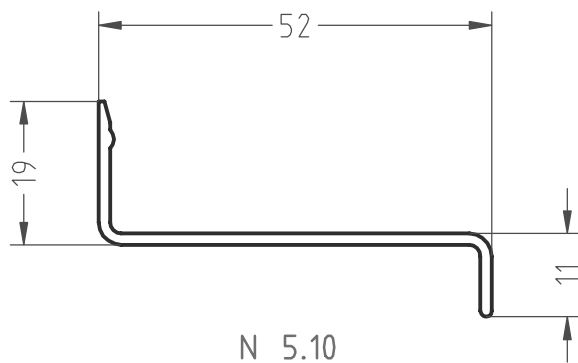
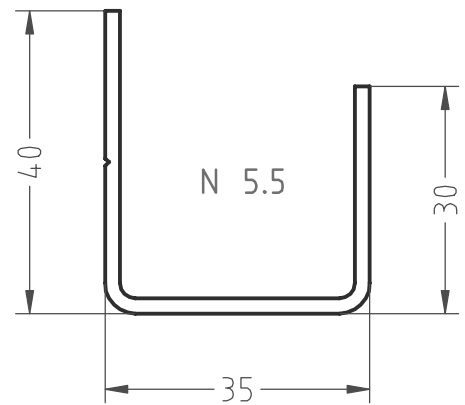
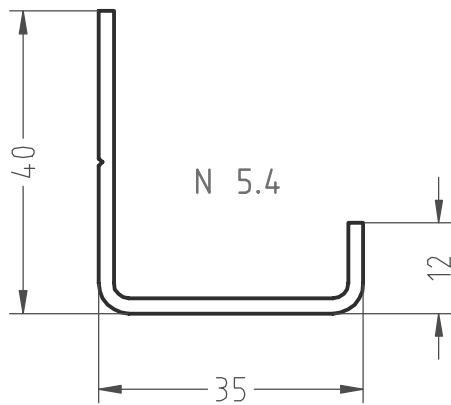
M 11.5





N 5.8

W 17.1



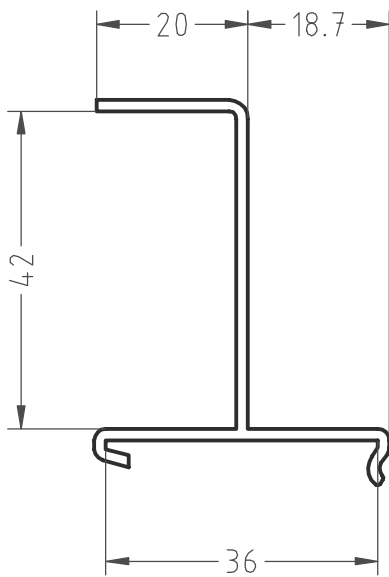
N 5.10

St 1.1

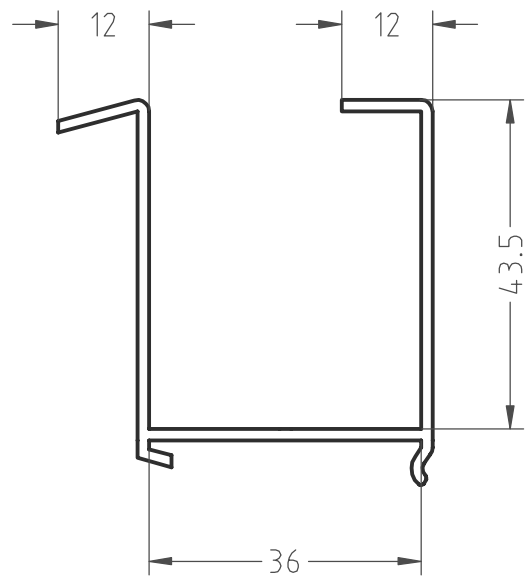
kühnplast

Brüstungskanal - Deckel
Trenstege

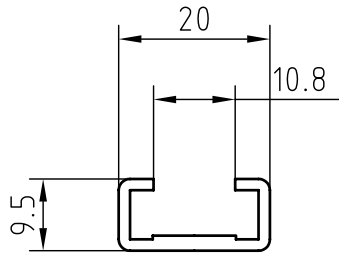
KN



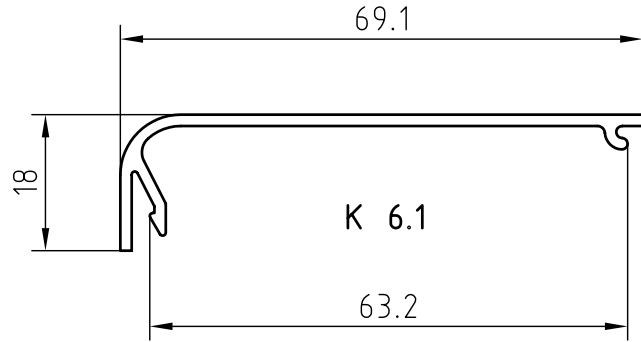
N 5.3



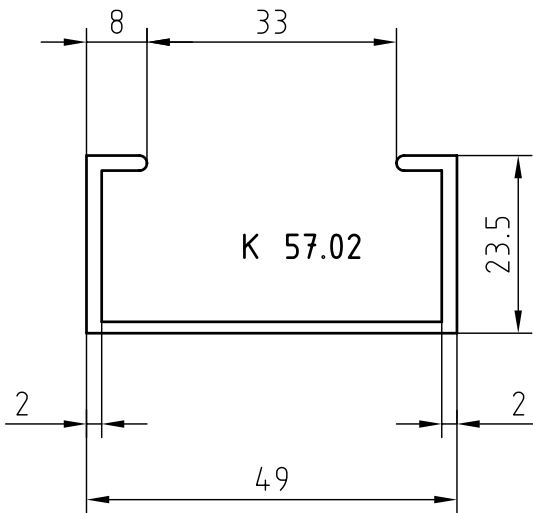
N 5.7



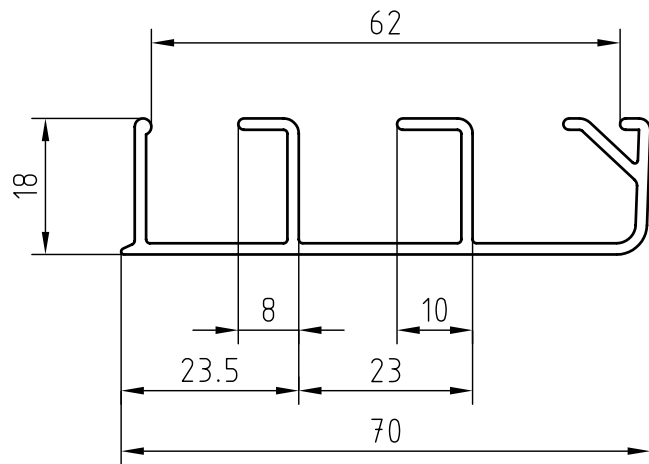
K 6.3



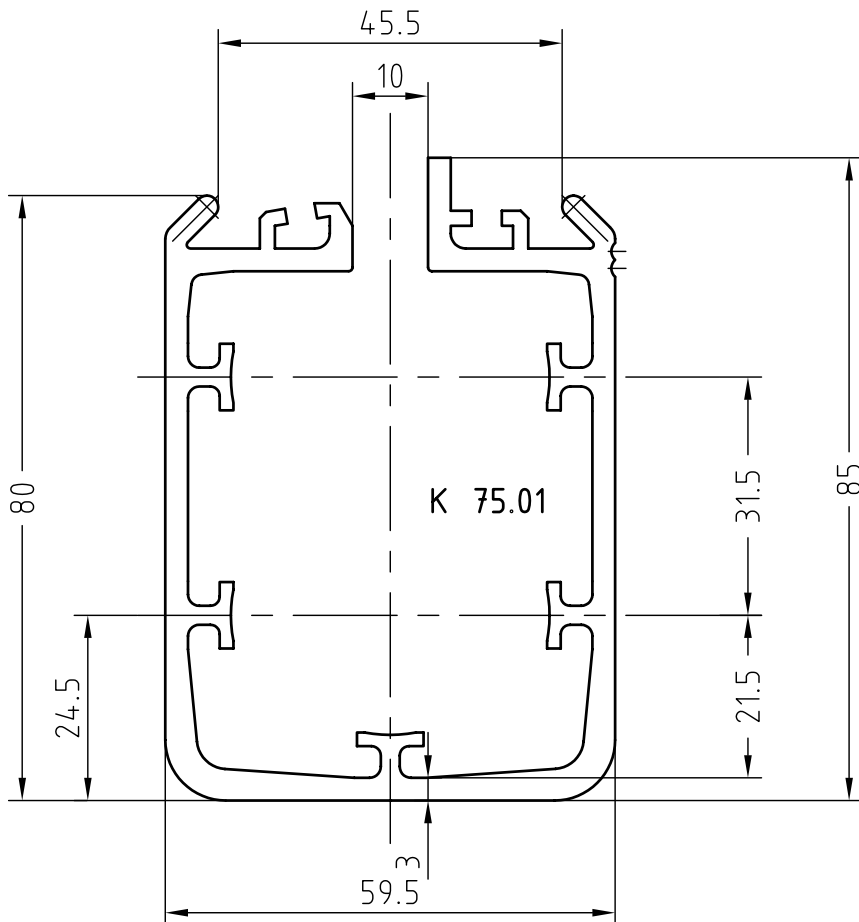
K 6.1



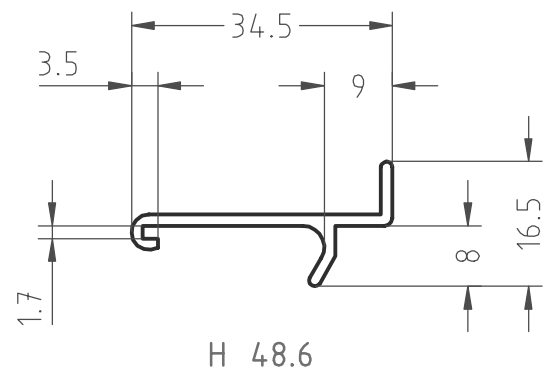
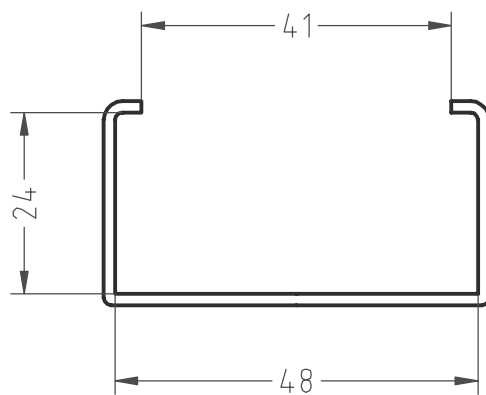
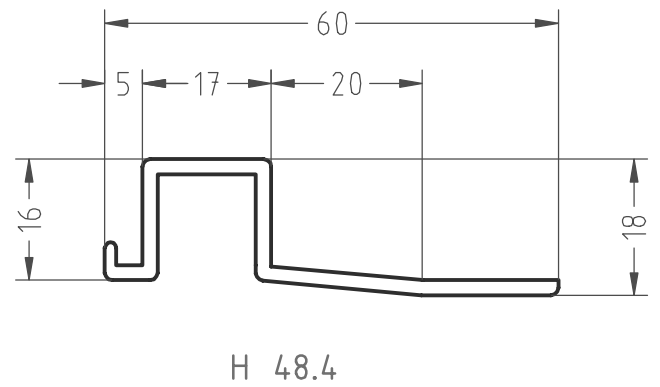
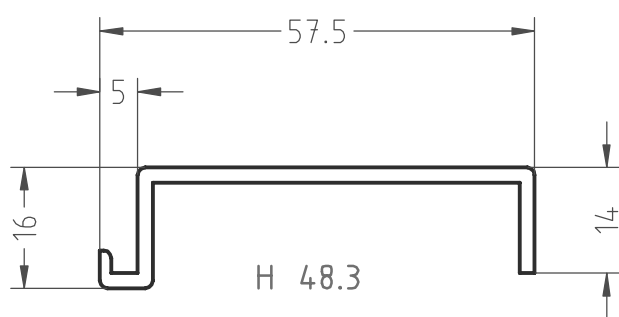
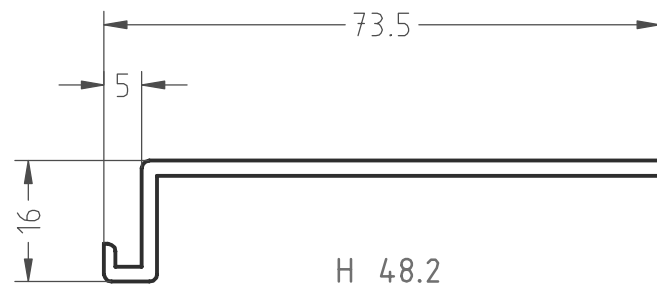
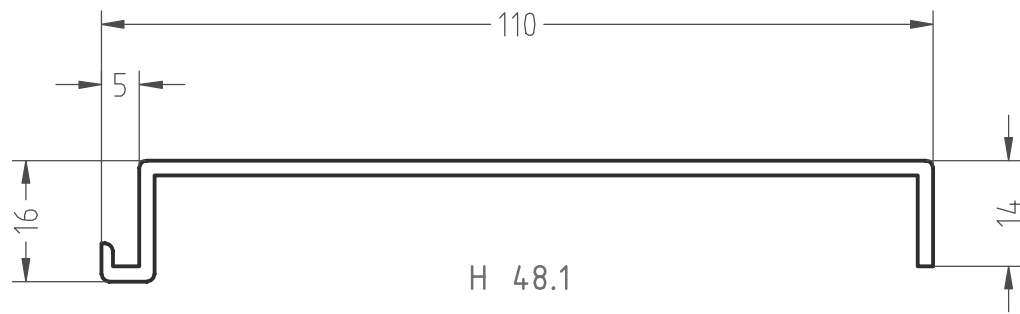
K 57.02

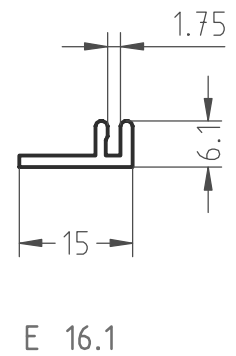
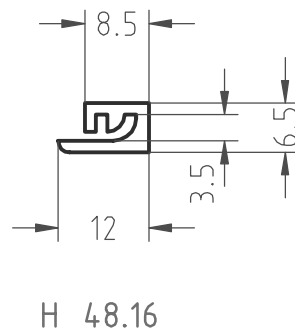
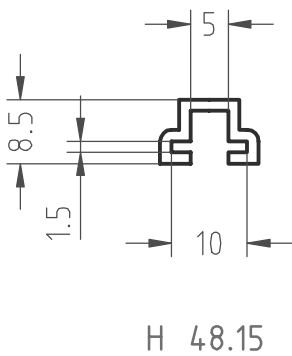
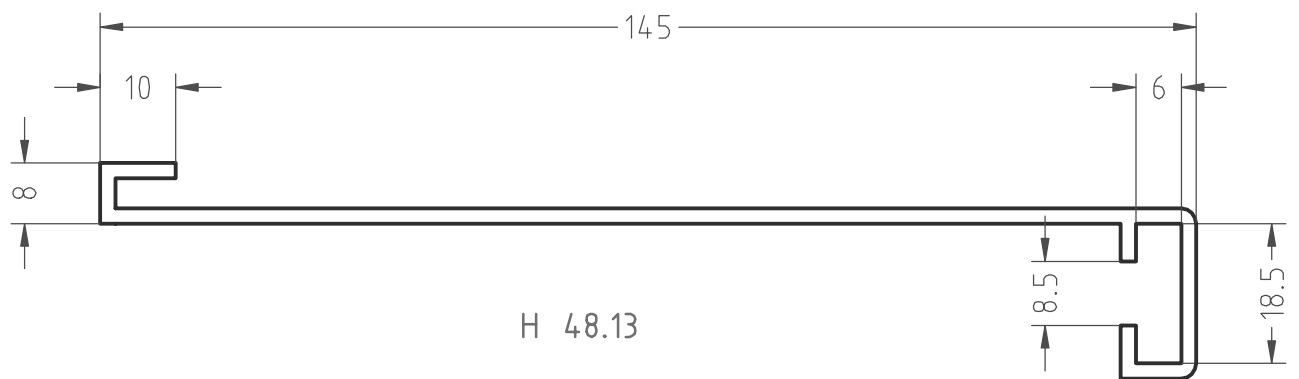
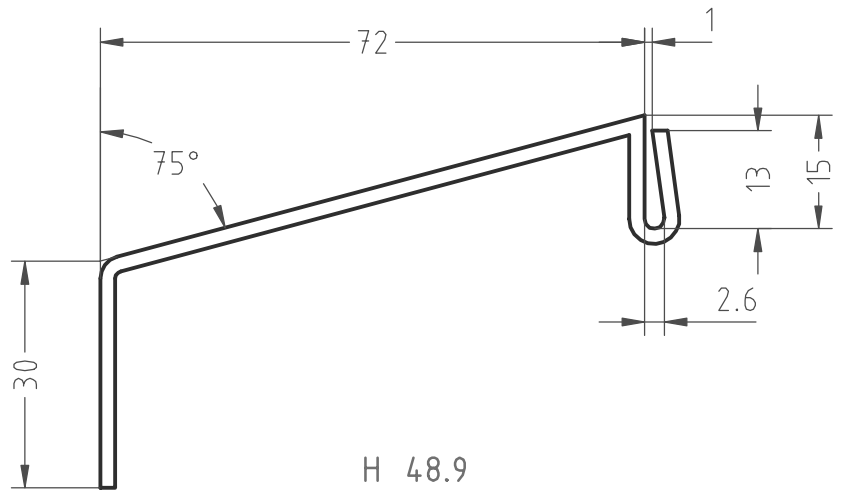
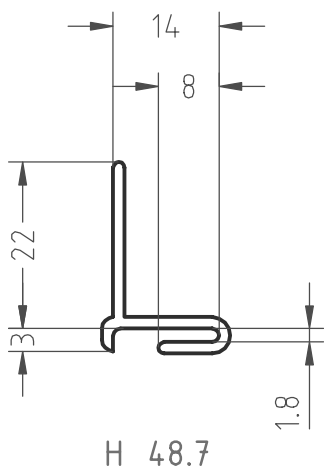
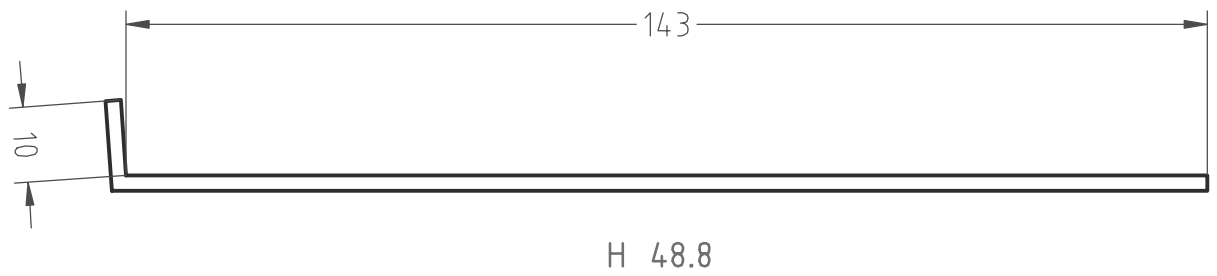


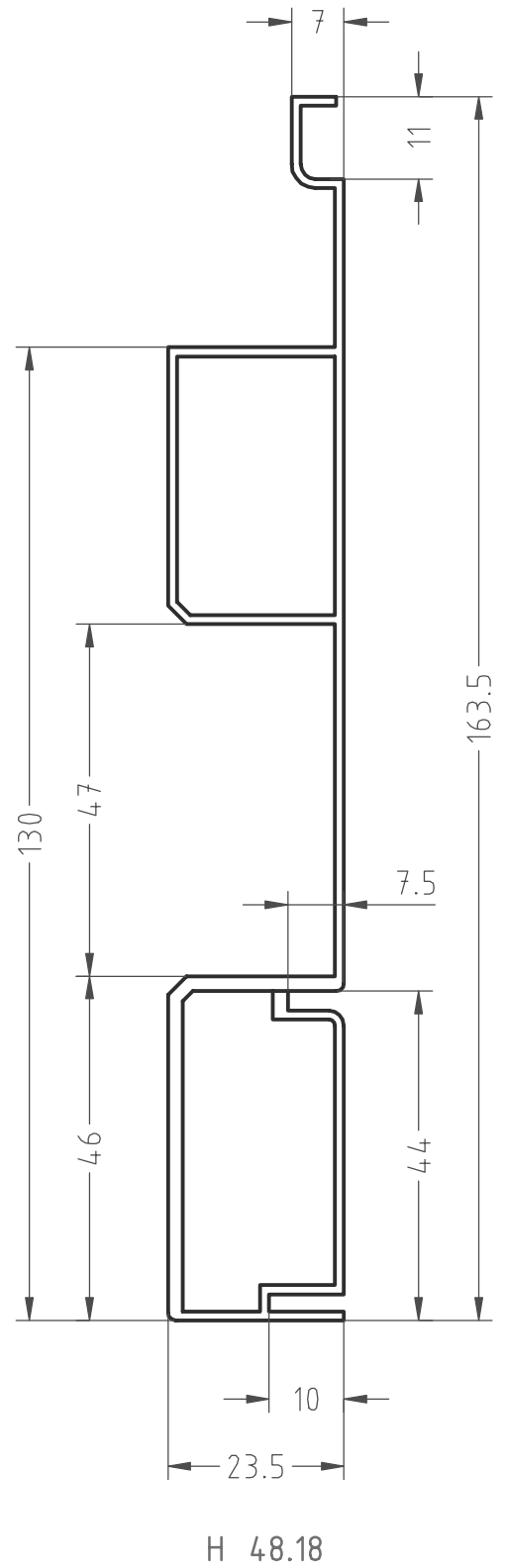
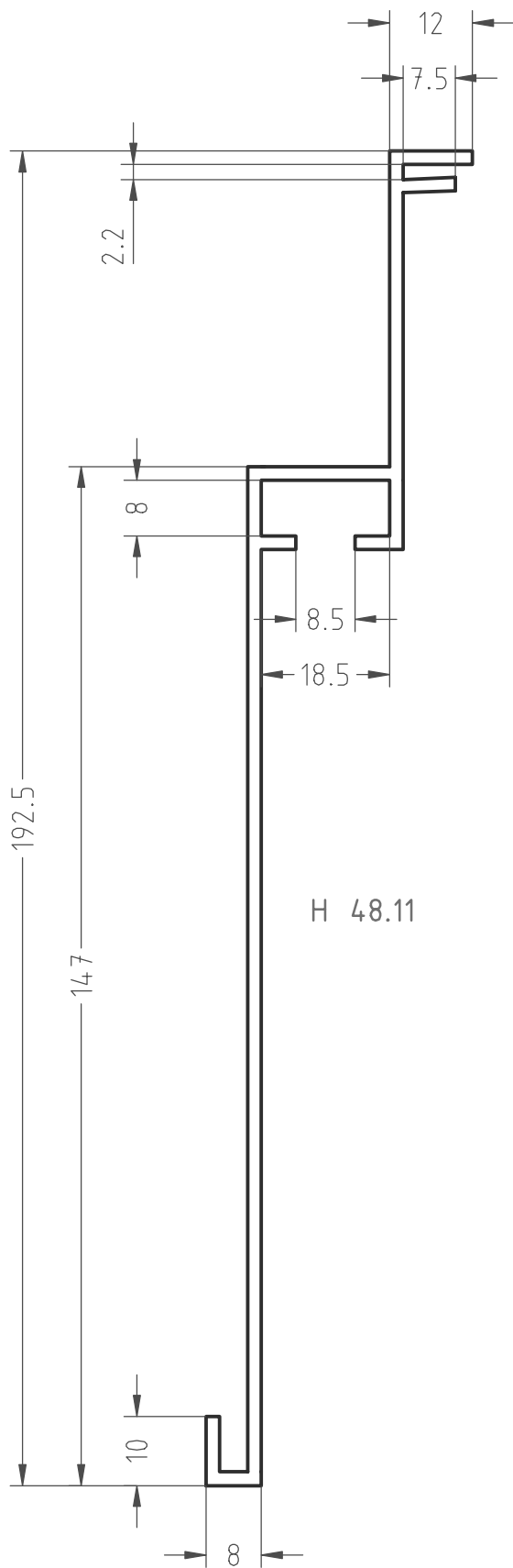
K 6.2

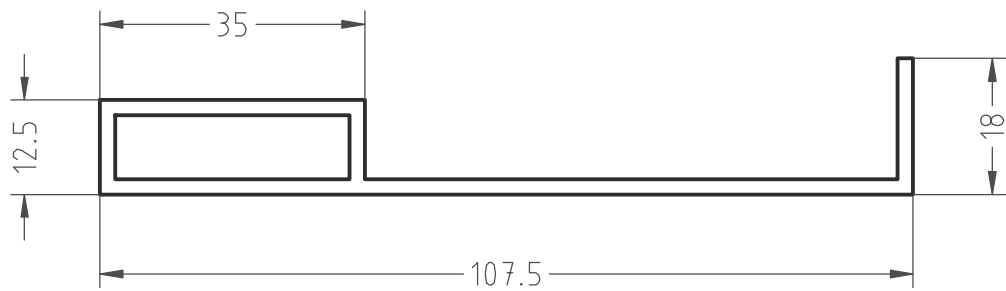


K 75.01

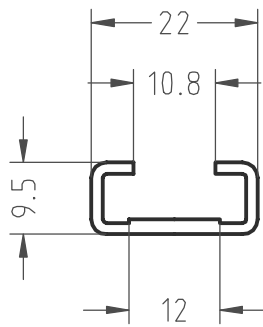




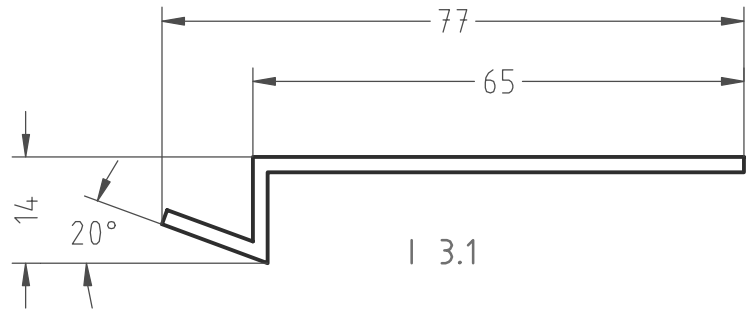




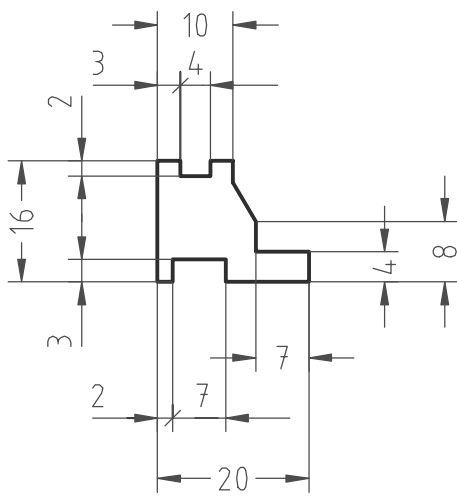
H 48.17



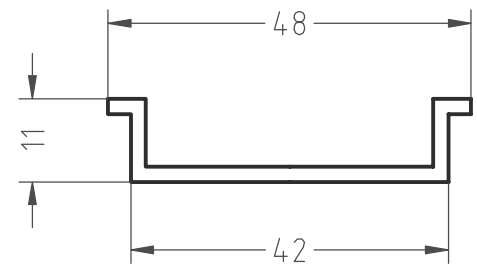
N 5.1



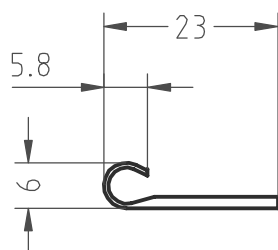
I 3.1



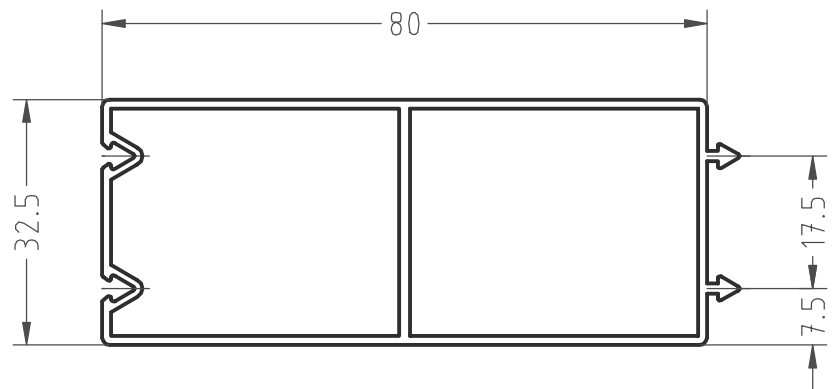
U 3.4



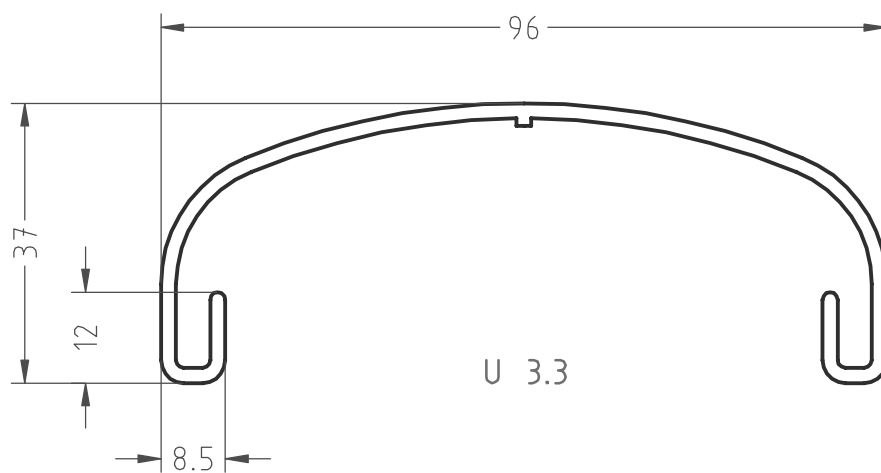
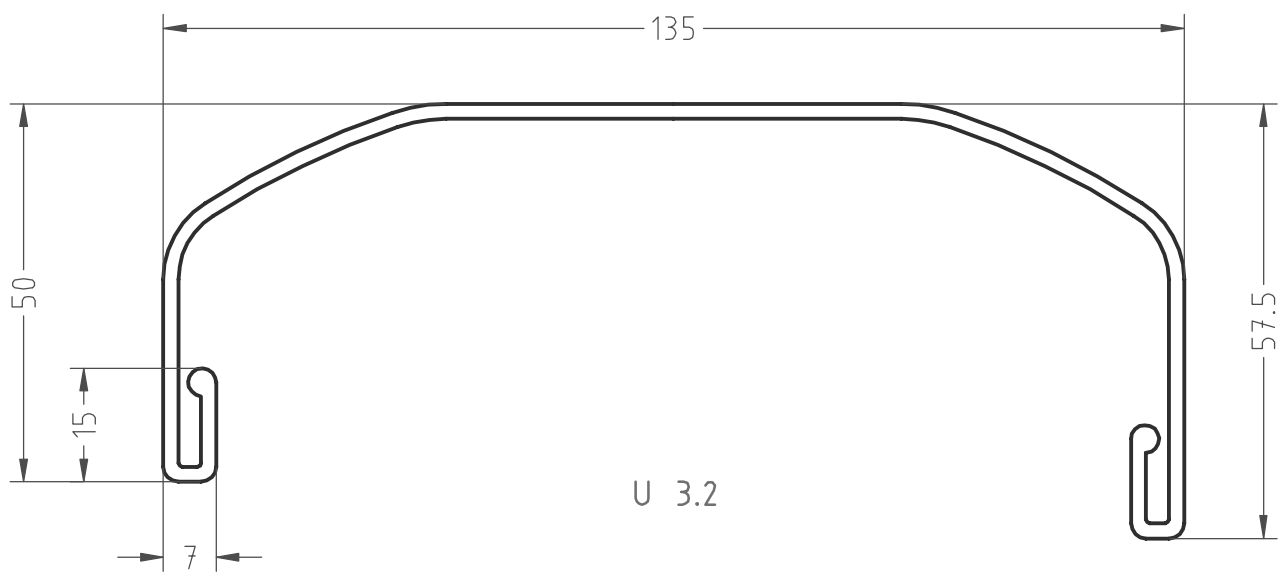
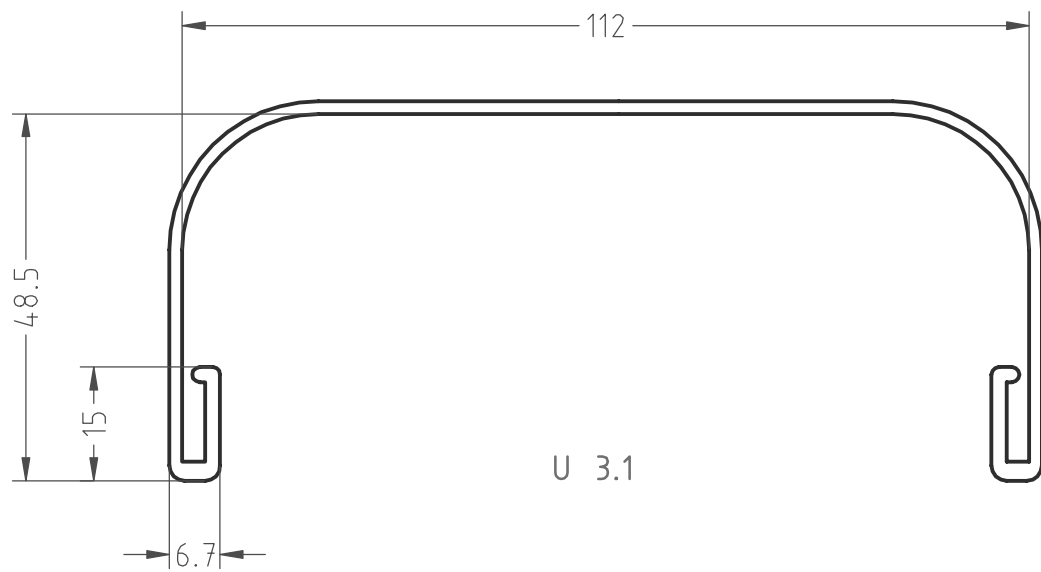
B 17.1

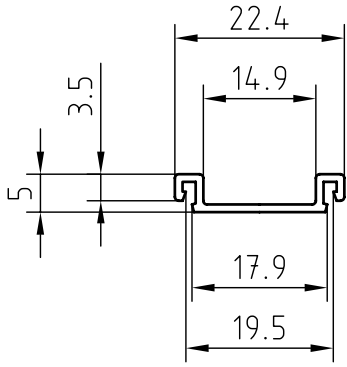


B 4.1

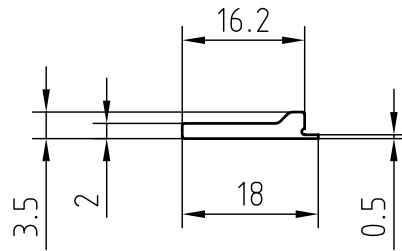


Sch 36.1

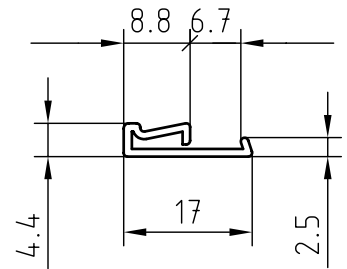




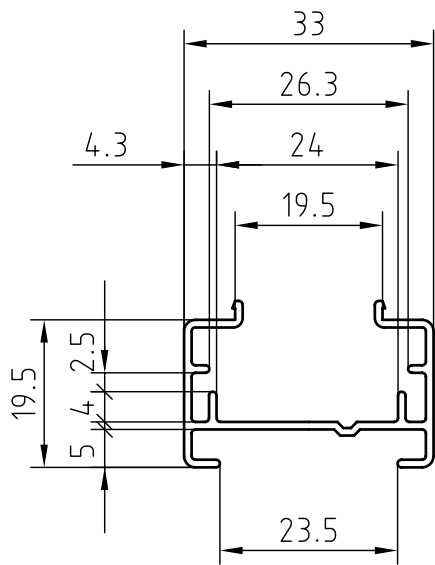
S 16.2



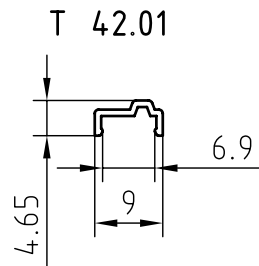
S 16.4



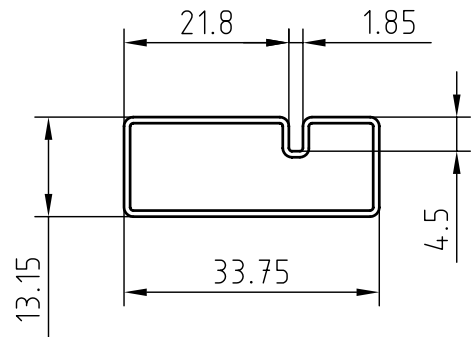
S 16.5



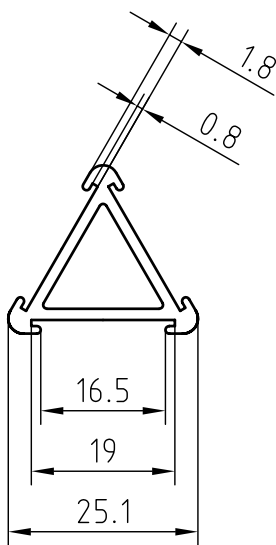
S 16.1



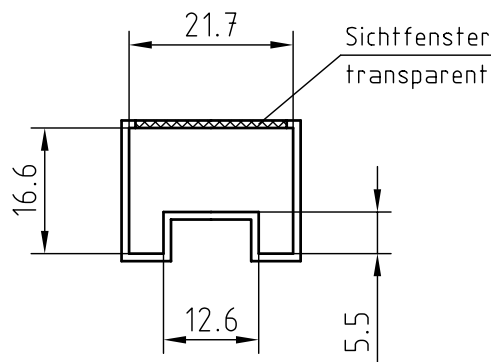
T 42.01



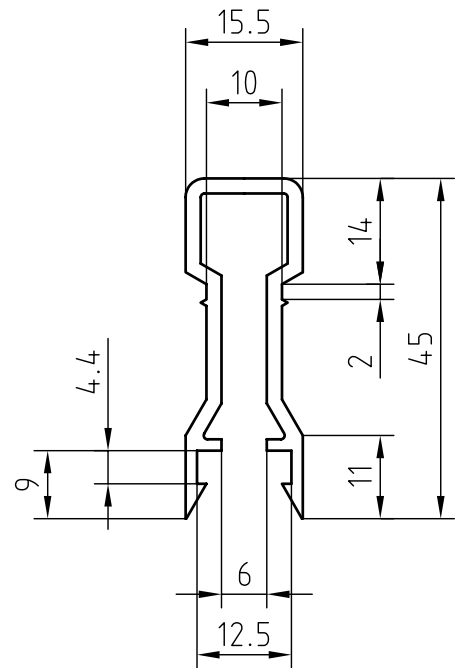
Sch 9.1



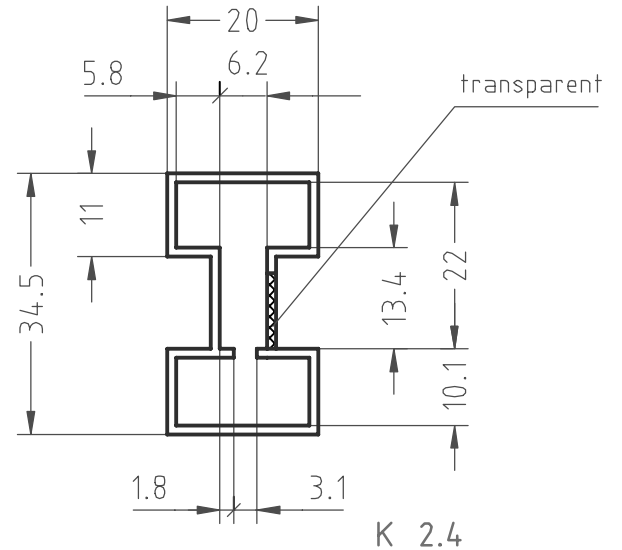
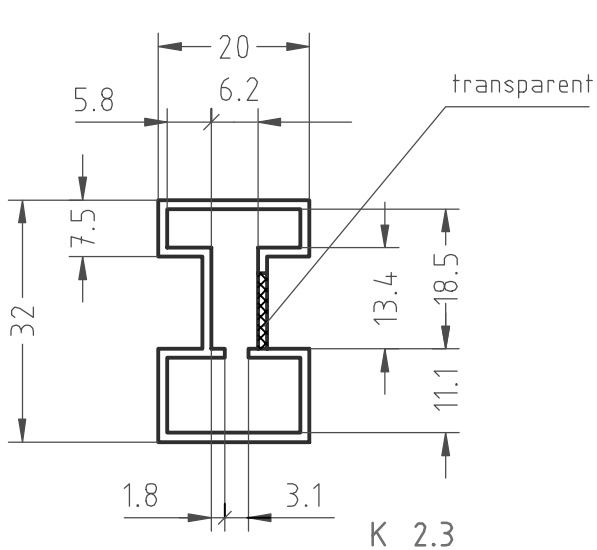
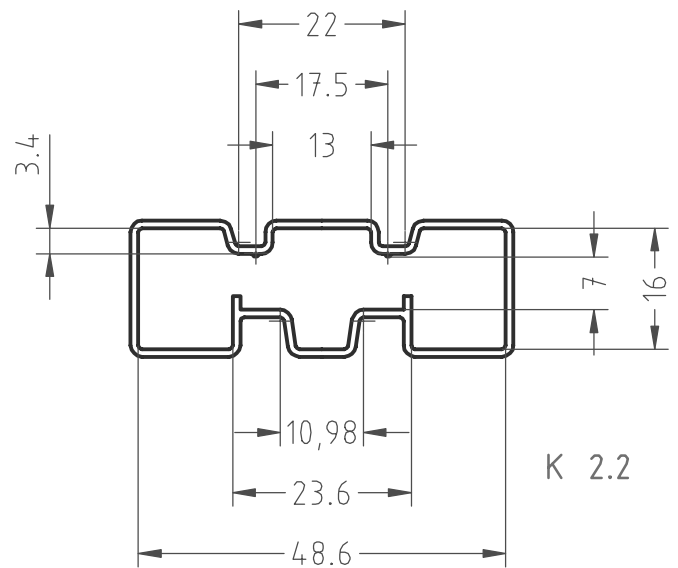
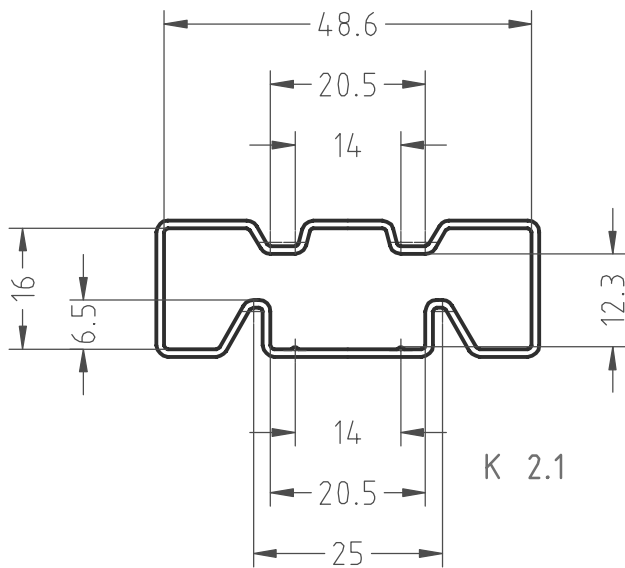
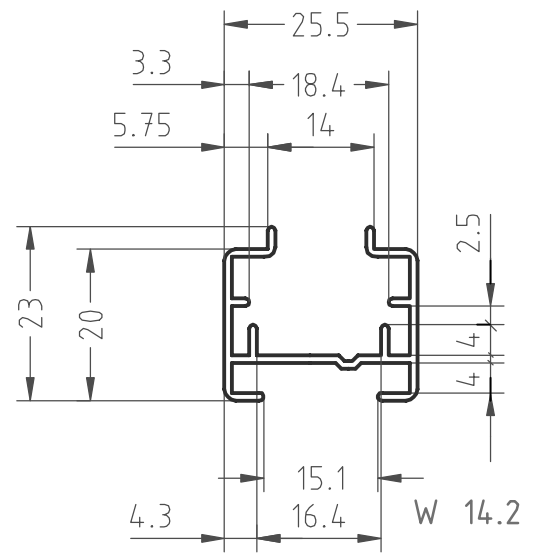
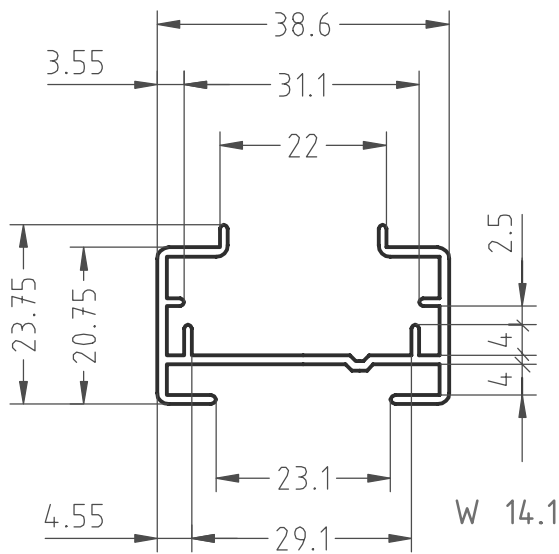
S 1.21

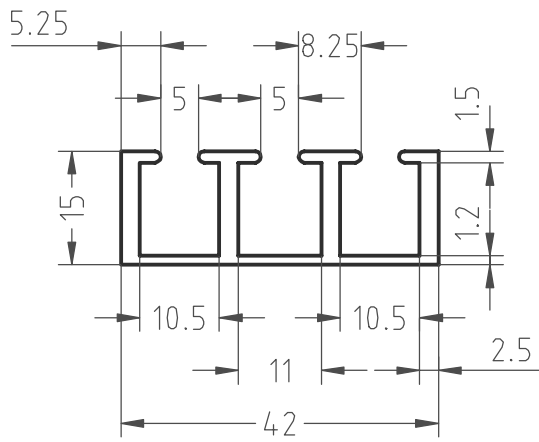


K 2.5

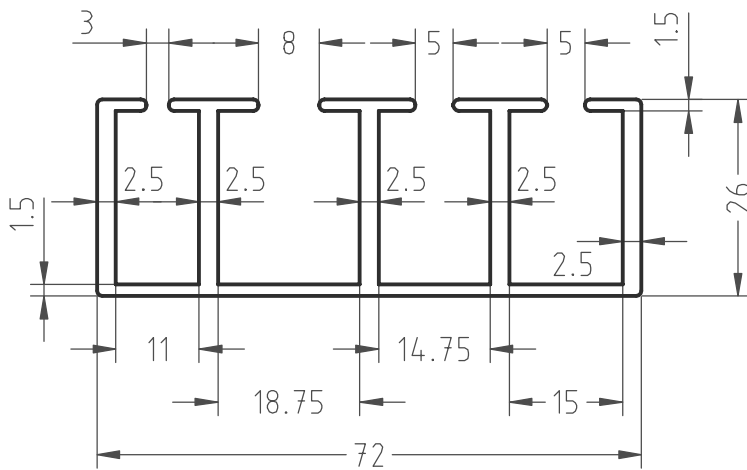


A 19.1

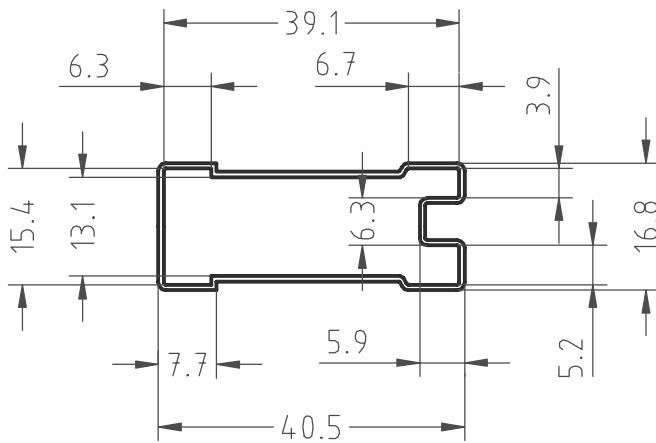




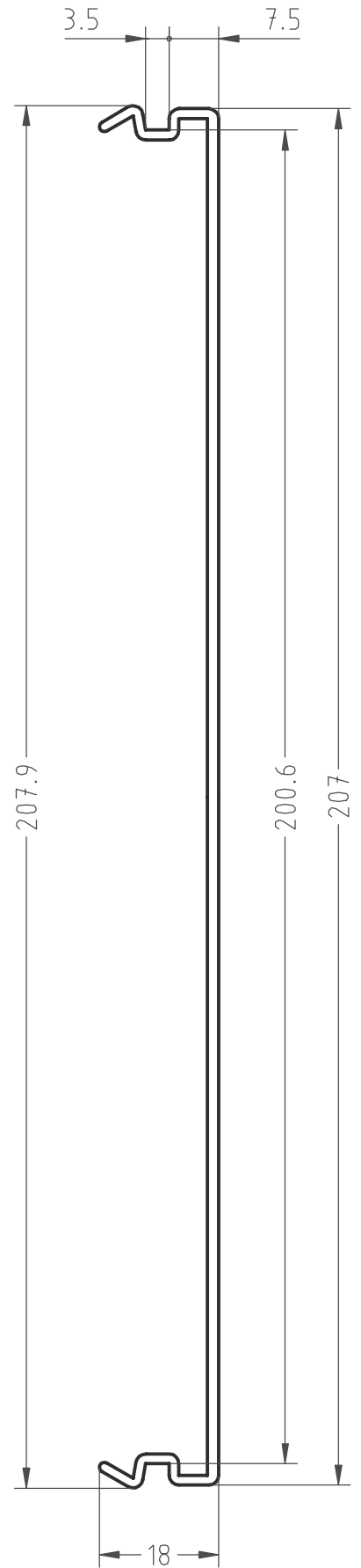
G 38.1



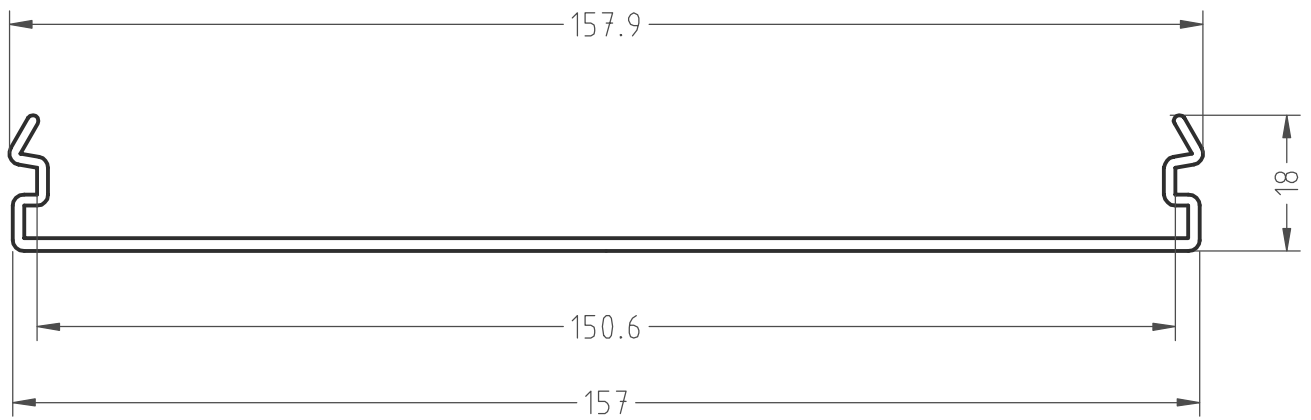
G 38.2



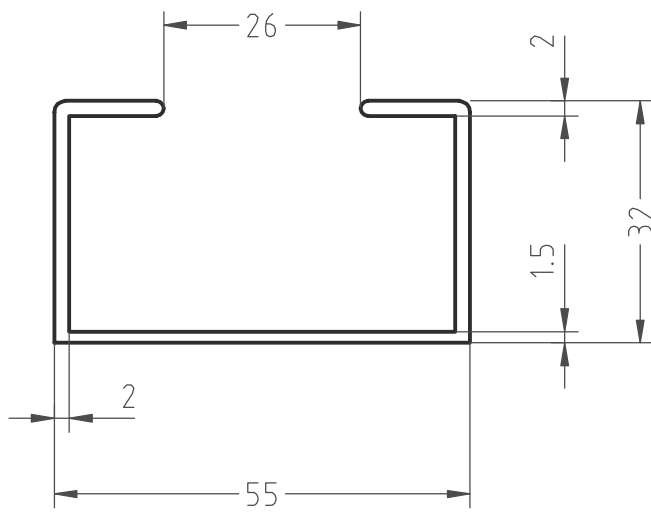
K 2.7



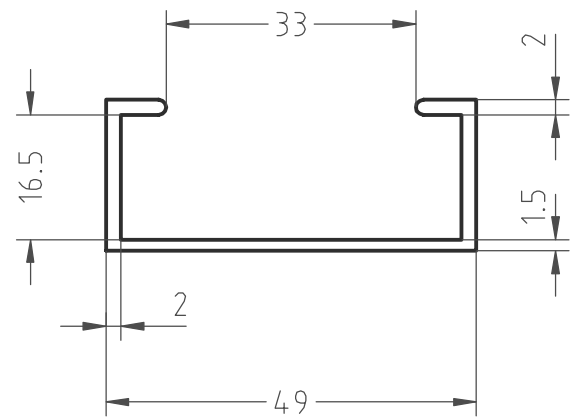
K 2.6



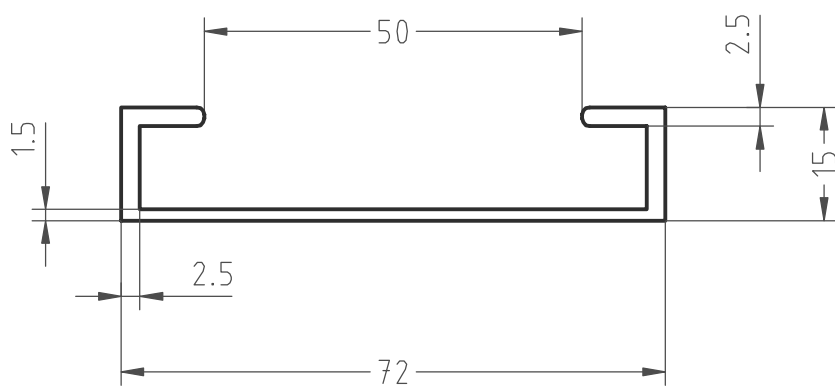
K 2.10



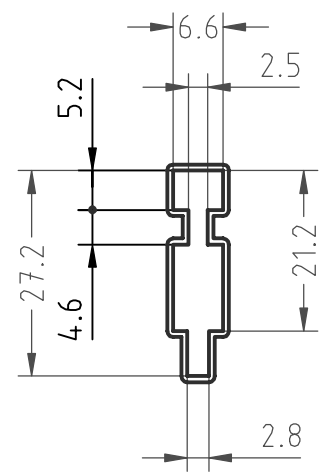
G 38.3



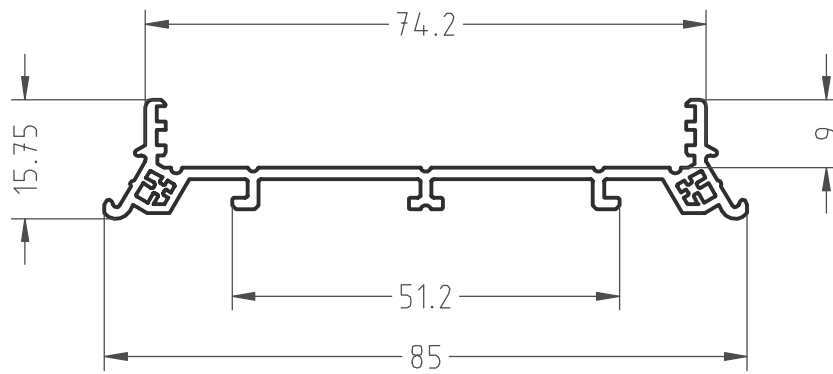
G 38.5



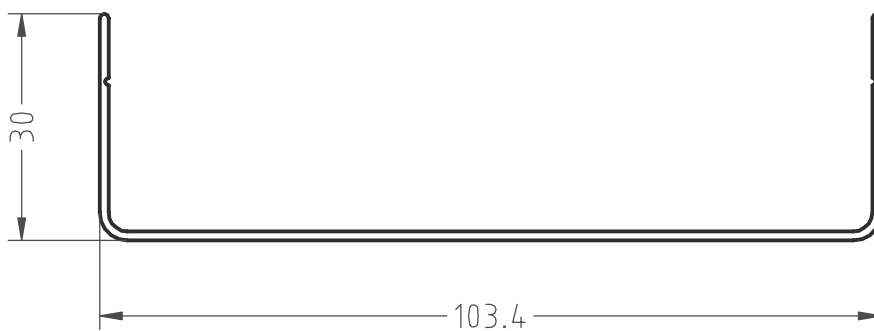
G 38.4



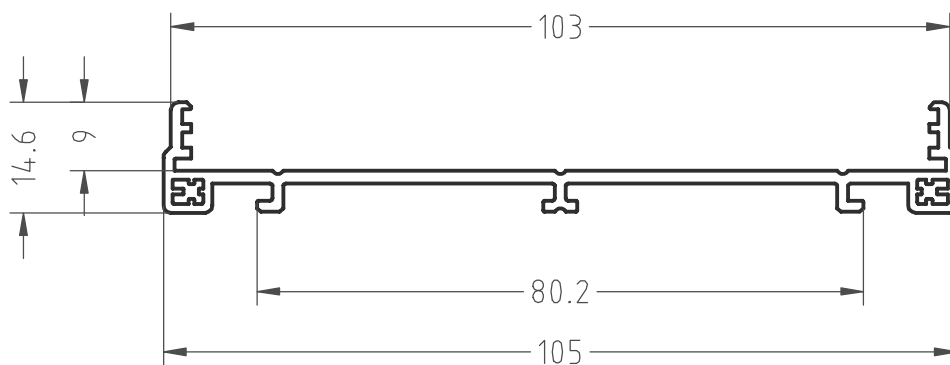
K 2.8



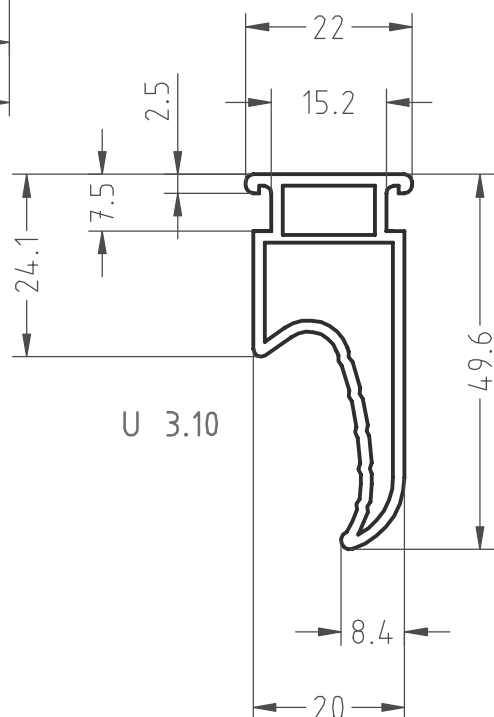
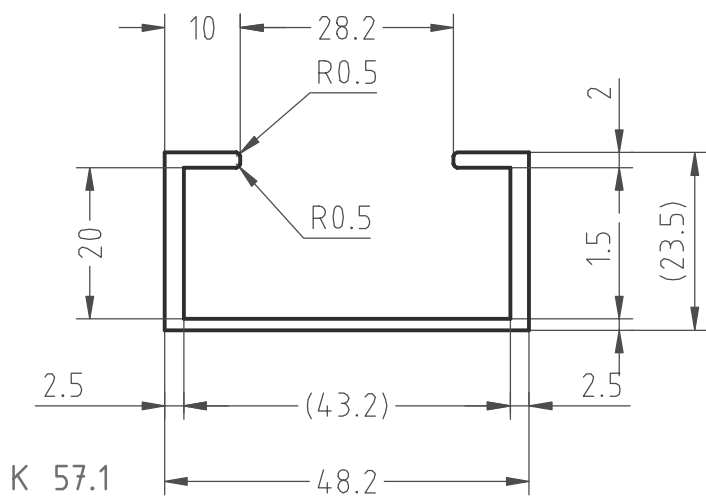
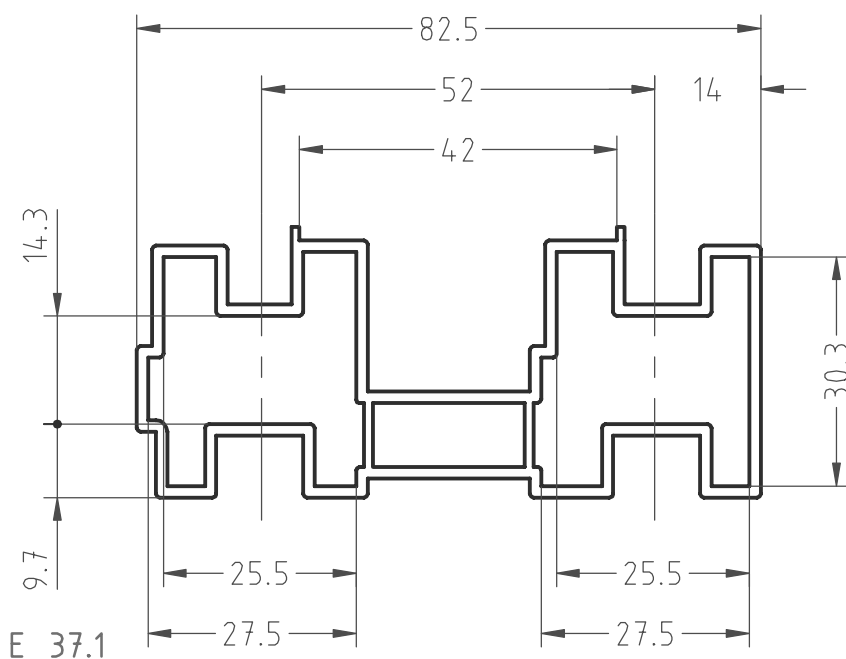
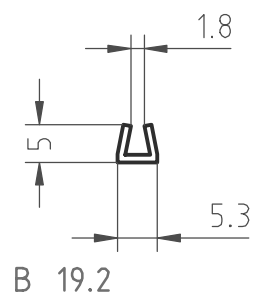
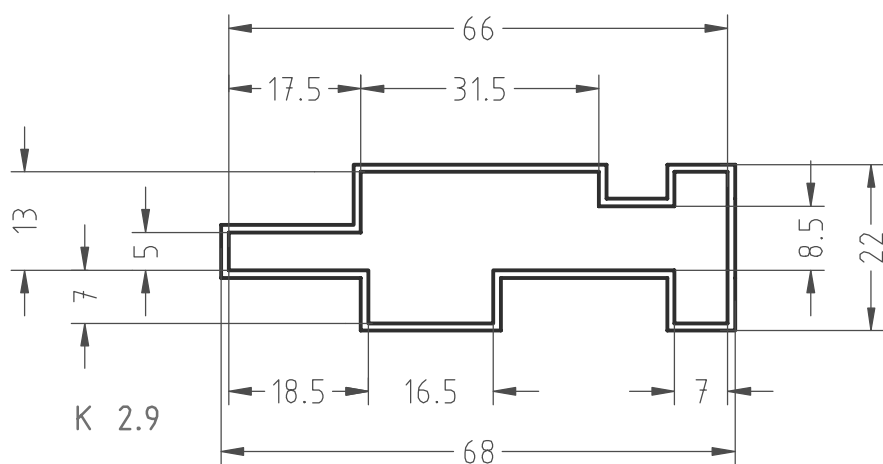
W 48.1

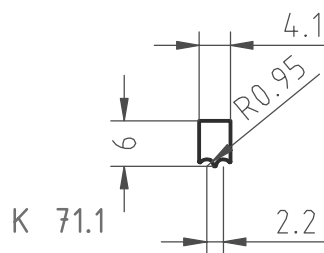
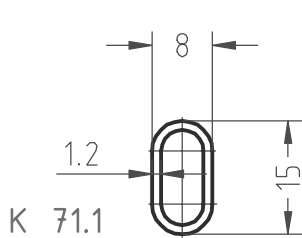
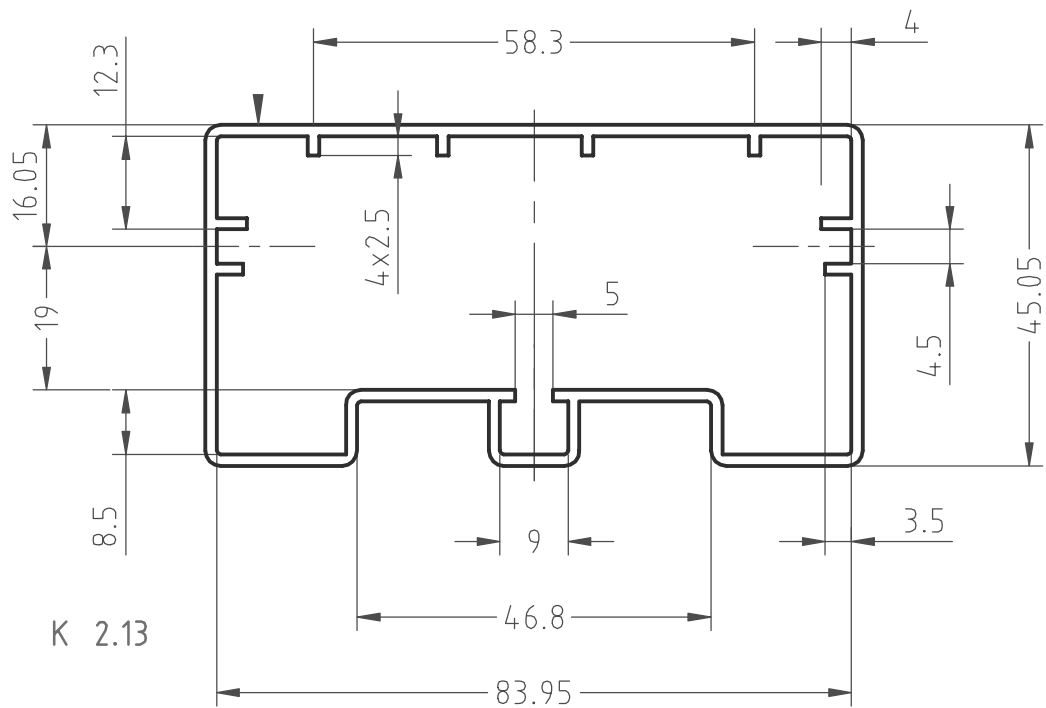
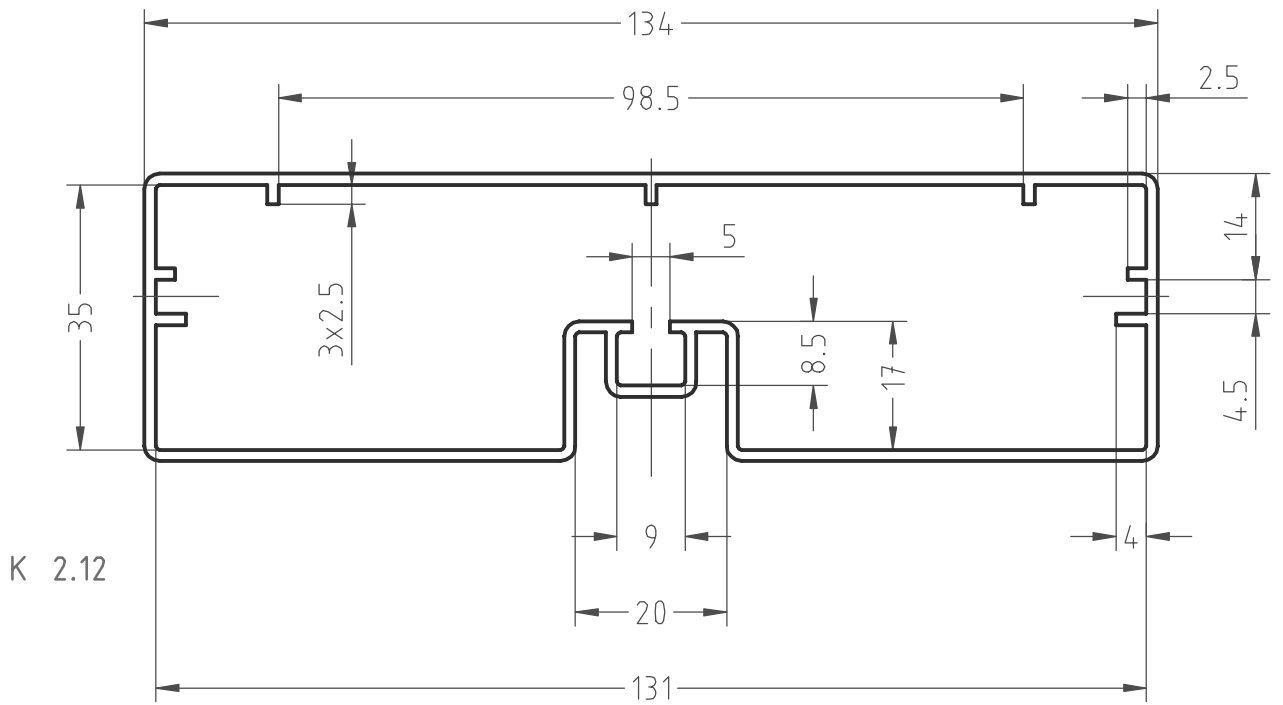


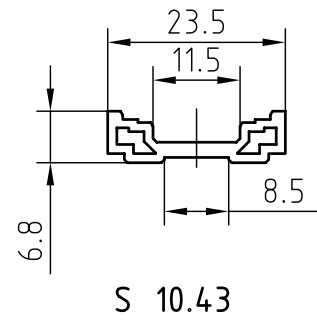
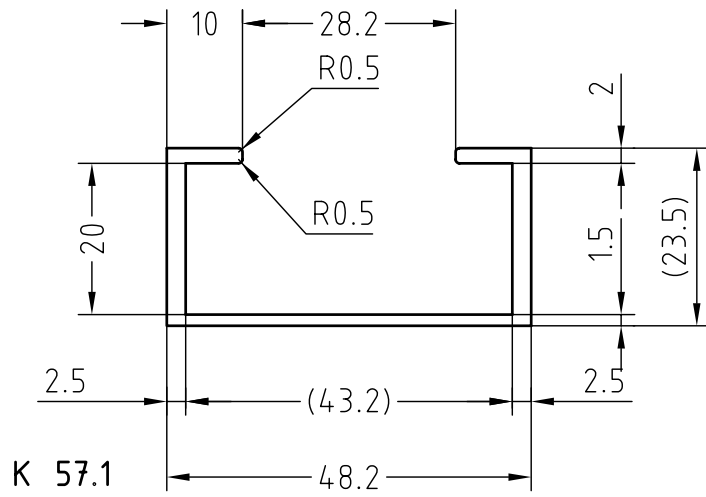
W 48.2

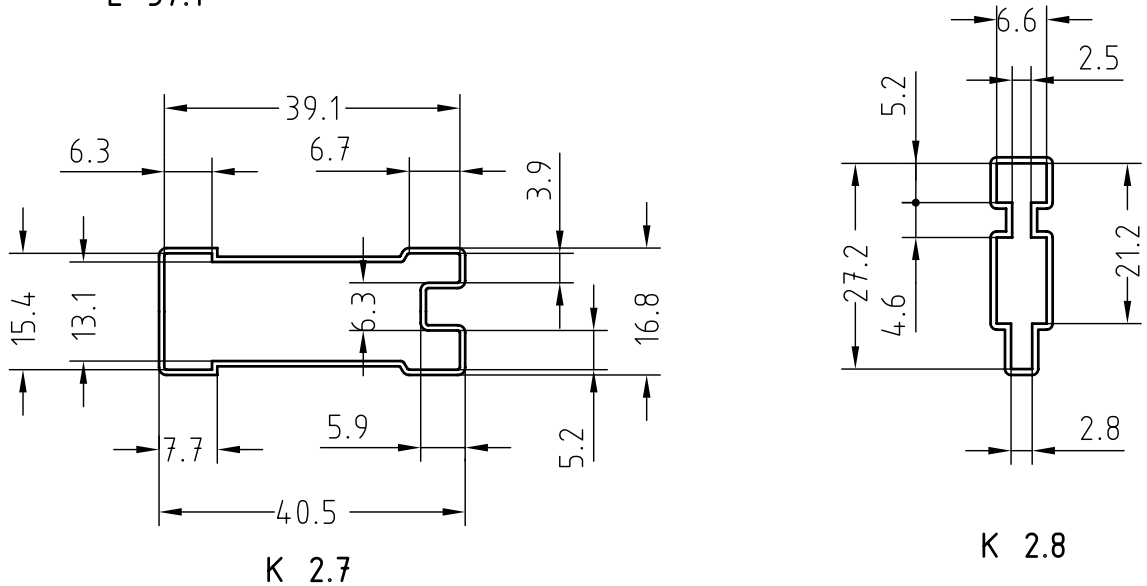
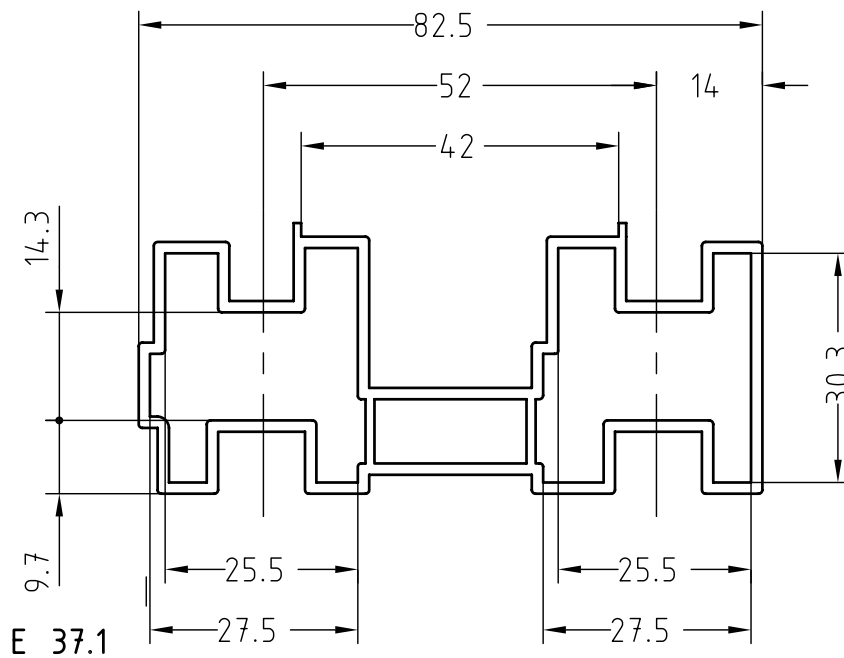
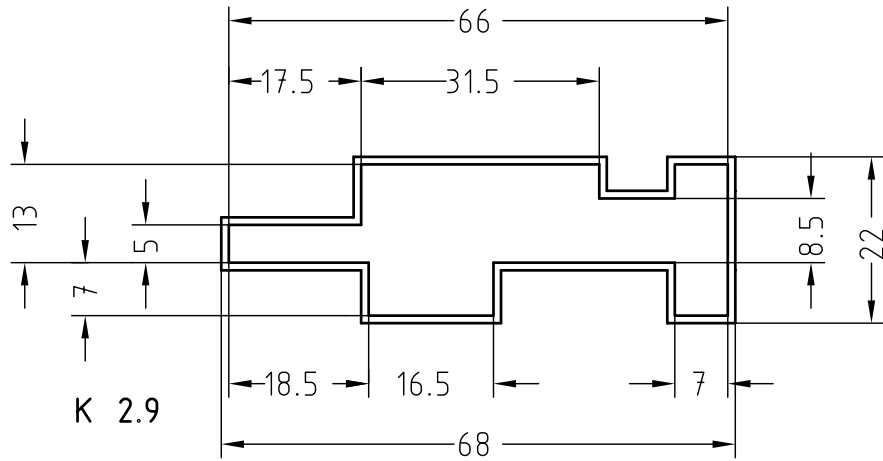


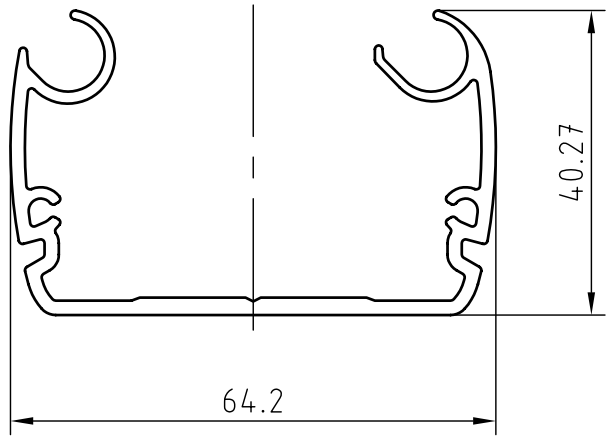
W 48.3



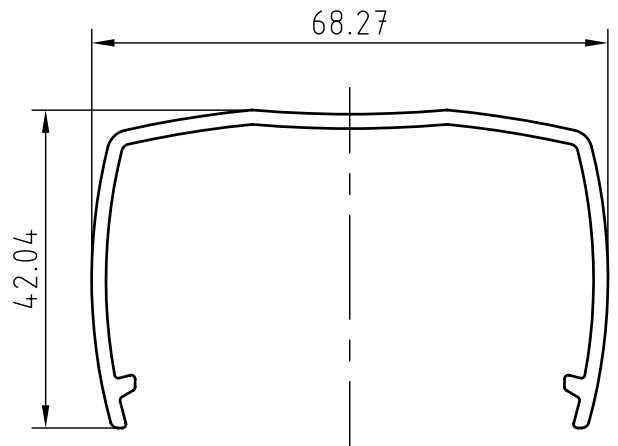








S 10.45



S 10.46